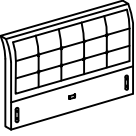

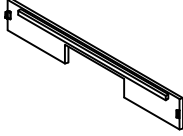


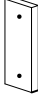
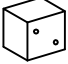


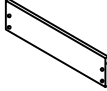



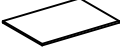
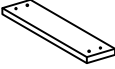
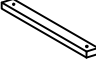

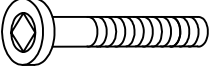
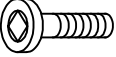
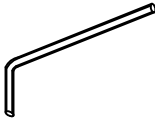

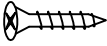
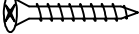
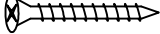
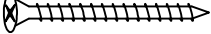
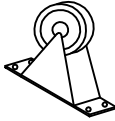
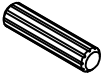
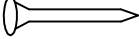






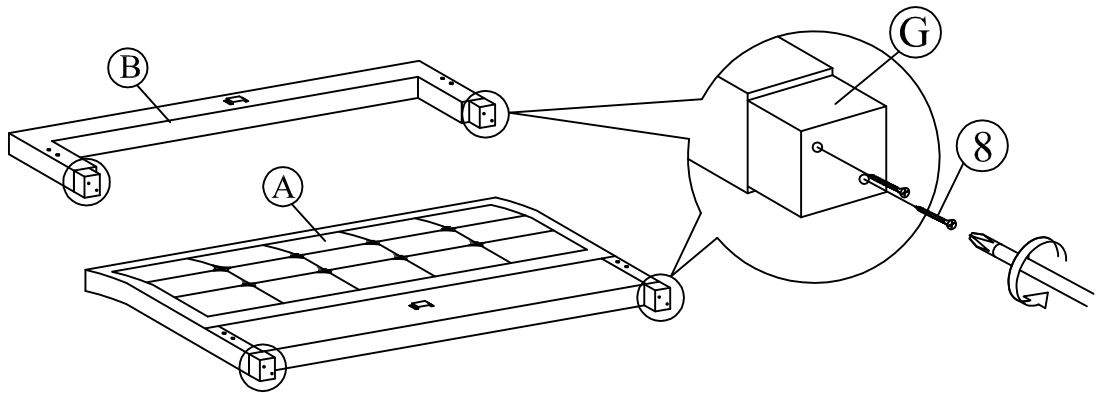
PARTS LIST

<p><b>A</b> HEADBOARD (1 PC)</p> 	<p><b>B</b> FOOTBOARD (1 PC)</p> 	<p><b>C</b> SIDE RAIL (2 PCS)</p> 	<p><b>D</b> CENTRAL RAIL (1 PC)</p> 	<p><b>E</b> SUPPORT LEG (2 PCS)</p> 	<p><b>F</b> SIDE RIAL (4PCS) SUPPORT</p> 
<p><b>G</b> LEGS (4 PCS)</p> 	<p><b>H</b> FOOTBOARD (1 PC) FRONT PANEL (WITH LABEL 1)</p> 	<p><b>I</b> FOOTBOARD (1 PC) BACK PANEL (WITH LABEL 2)</p> 	<p><b>J</b> FOOTBOARD &amp; SIDE RAIL SIDE PANEL (6 PCS) (WITH LABEL 3)</p> 	<p><b>K</b> FOOTBOARD (1 PC) BOTTOM PANEL (WITH LABEL 4)</p> 	<p><b>L</b> SIDE RIAL (2 PCS) FRONT PANEL (WITH LABEL 5)</p> 
<p><b>M</b> SIDE RAIL (2 PCS) BACK PANEL (WITH LABEL 6)</p> 	<p><b>N</b> SIDE RAIL (2 PCS) BOTTOM PANEL (WITH LABEL 7)</p> 	<p><b>O</b> BOTTOM PANEL (7 PCS) BIG SUPPORT (WITH LABEL 8)</p> 	<p><b>P</b> BOTTOM PANEL (4 PCS) SMALL SUPPORT (WITH LABEL 9)</p> 	<p><b>Q</b> SLAT (26 PCS)</p> 	

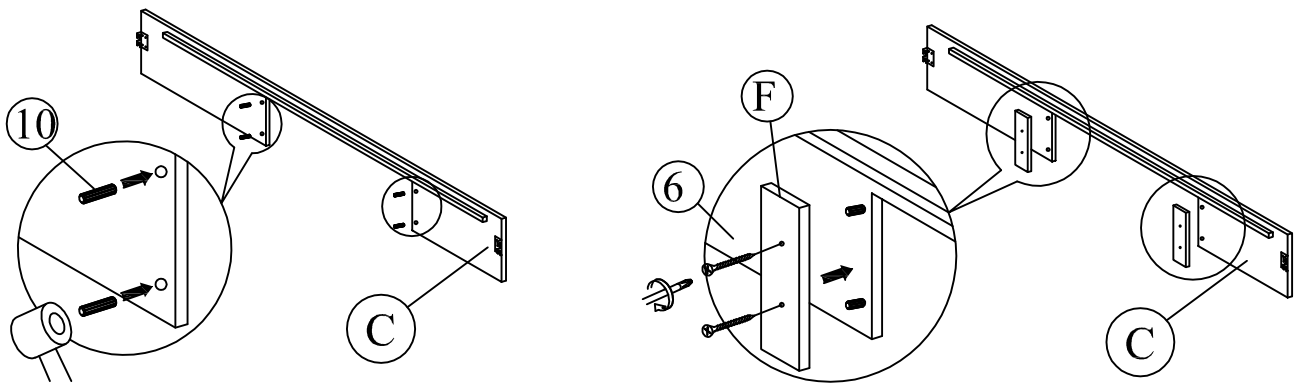
HARDWARE LIST

<p><b>1</b> JCBC M6 X 40mm(2 PCS)</p> 	<p><b>2</b> JCBB M8 x 16 mm (8pcs) (PRE-ATTACHED)</p> 	<p><b>3</b> ALLEN KEY M4 X 65mm (1 PC)</p> 	<p><b>4</b> ALLEN KEY M4 X 70mm (1 PC)</p> 	<p><b>5</b> CSK M3.5 x 16mm (56 PCS)</p> 
<p><b>6</b> CSK M4 x 25mm (8 PCS)</p> 	<p><b>7</b> CSK M4 x 32mm (36 PCS)</p> 	<p><b>8</b> CSK M4 x 50mm (32 PCS)</p> 	<p><b>9</b> ROLLER (14 PCS)</p> 	<p><b>10</b> WOOD DOWEL 20MM (8 PCS)</p> 
<p><b>11</b> Power Nail 6/8 (24 PCS)</p> 	<p><b>12</b> Adjuster (2 PCS)</p> 	<p><b>13</b> Metal Stopper (6 PCS)</p> 	<p><b>14</b> Middle Holder (13 PCS)</p> 	<p><b>15</b> End Holder (26 PCS)</p> 

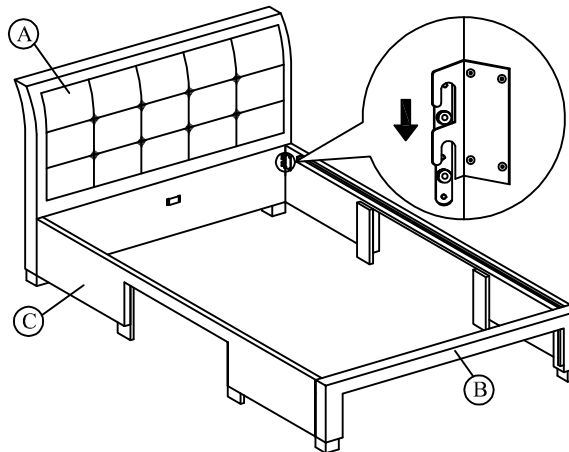
Step 1 : Tighten the legs (G) to both headboard (A) and footboard (B) as shown.



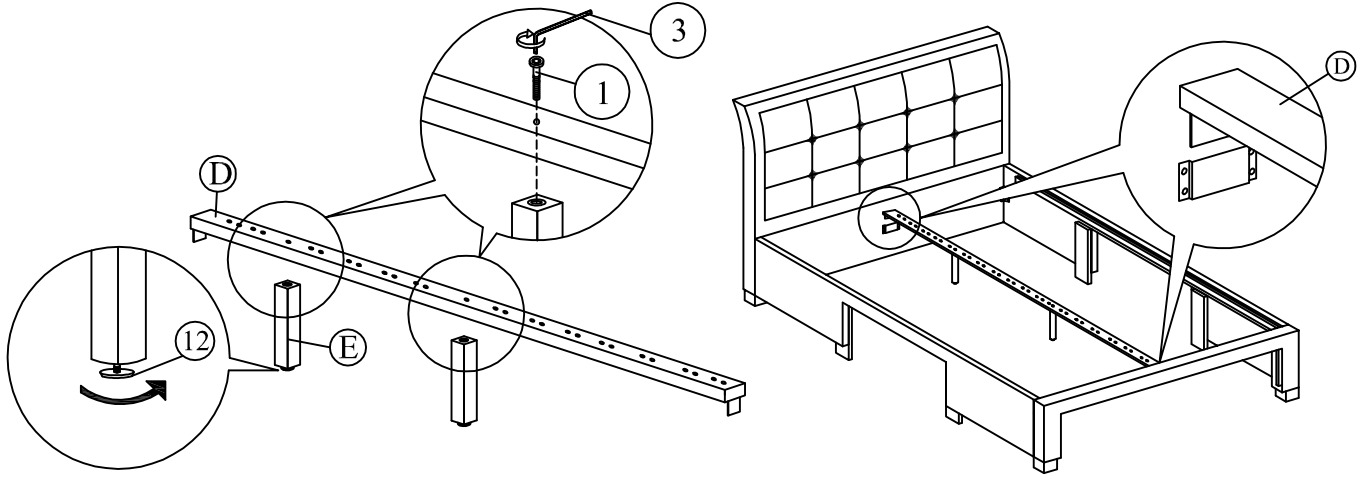
Step 2: Attach wood dowel (10) to side rail (C). Tighten the side rail support (F) to the side rail (C) with screws (6) using screw driver (not included) .



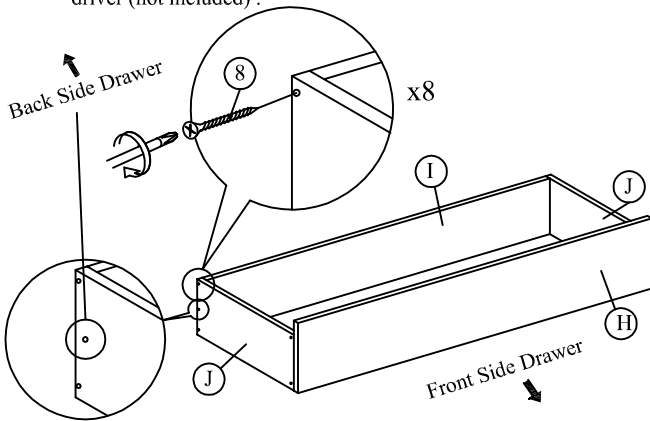
Step 3: Attach side rail (C) to headboard (A) and footboard (B) by pushing the bracket down to fit it.



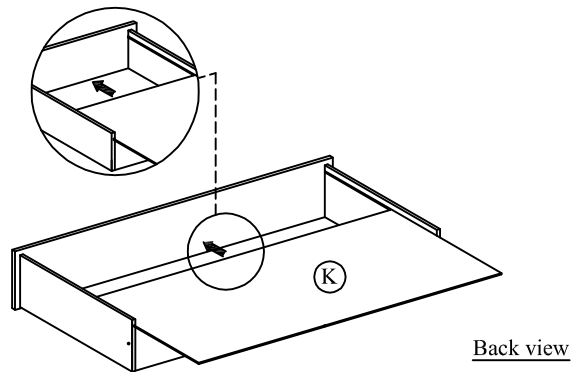
Step 4: Attach the support legs ( E ) to the center rail ( D ) of the bed as shown. Slide the center rail ( D ) to the headboard ( A ) and footboard ( B ).



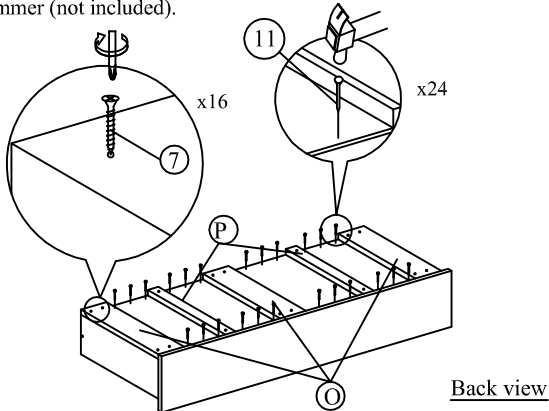
Step 5: Tighten the footboard side panel ( J ) to the footboard front panel ( H ) and footboard back panel ( I ) with screws ( 8 ) using screw driver ( not included ) .



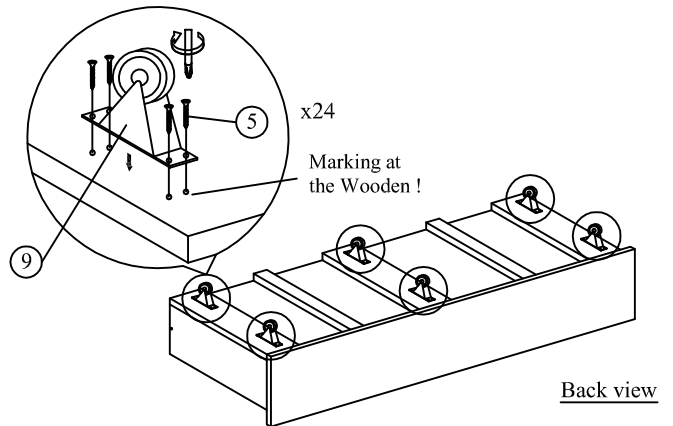
Step 6: Slide the footboard bottom panel ( K ) to the set up drawer.



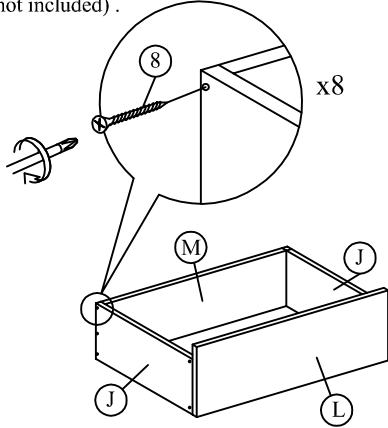
Step 7: Tighten the bottom panel support ( O & P ) with screws ( 7 ) using screw driver ( not included ) . Attach the bottom panel with Nail ( 11 ) using the hammer ( not included ) .



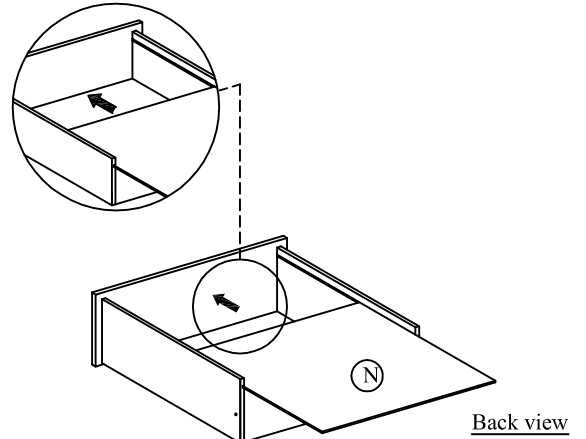
Step 8: Tighten the roller ( 9 ) with screws ( 5 ) using screw driver ( not included ) .



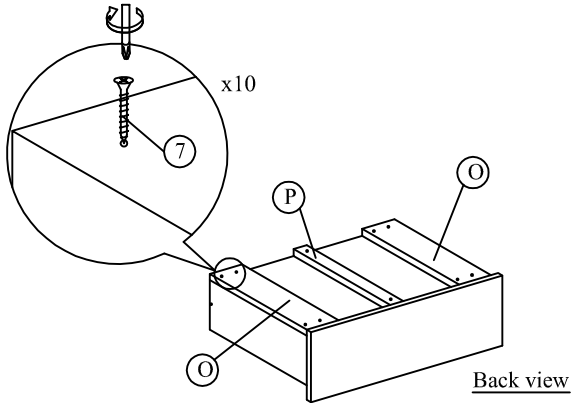
Step 9: Tighten the side rail side panel (J) to the side rail front panel (L) and side rail back panel (M) with screws (8) using screw driver (not included).



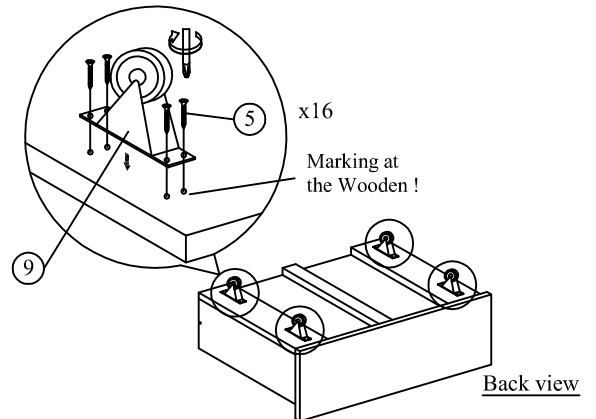
Step 10: Slide the side rail bottom panel (O) to the set up drawer.



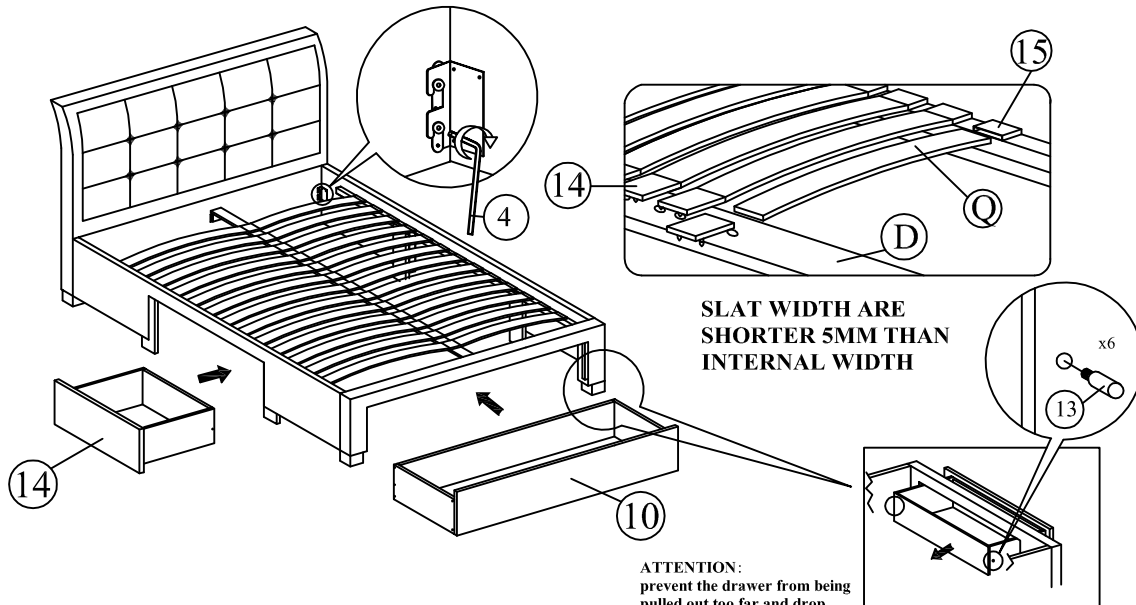
Step 11: Tighten the bottom panel support (O & P) with screws (7) using screw driver (not included).



Step 12: Tighten the roller (9) with screws (5) using screw driver (not included).



Step 13: Affix the Slat (Q) to the side rail support wood and the center rail (D). Tighten all the 4 corner.



ATTENTION:  
prevent the drawer from being  
pulled out too far and drop  
It is optional to choose attach  
the drawer stopper.