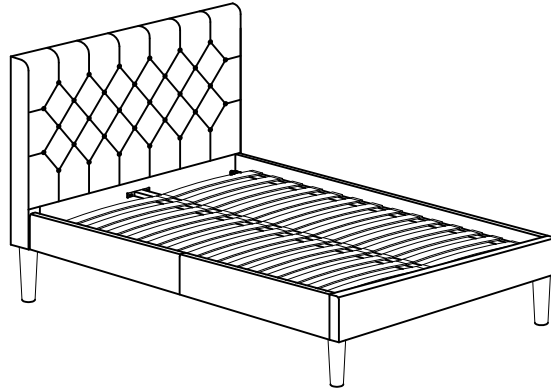


# ASSEMBLY INSTRUCTIONS-KING

QB-8688



Tools Needed  
2 person build



## BED FITTINGS

Feet ① X 4	Brackets ② X 2	Washers (m8) ③ X 16	Bolts (m8*20) ④ X 14	Brackets ⑤ X 2	Bolts (m8*40) ⑥ X 2
Support legs ⑦ X 2	Gold Bolts (m8*18) ⑧ X 4	Allen Key (m5) ⑨ X 1	Centre plastic cap ⑩ X 14	End plastic cap ⑪ X 28	Slats ⑫ X 28

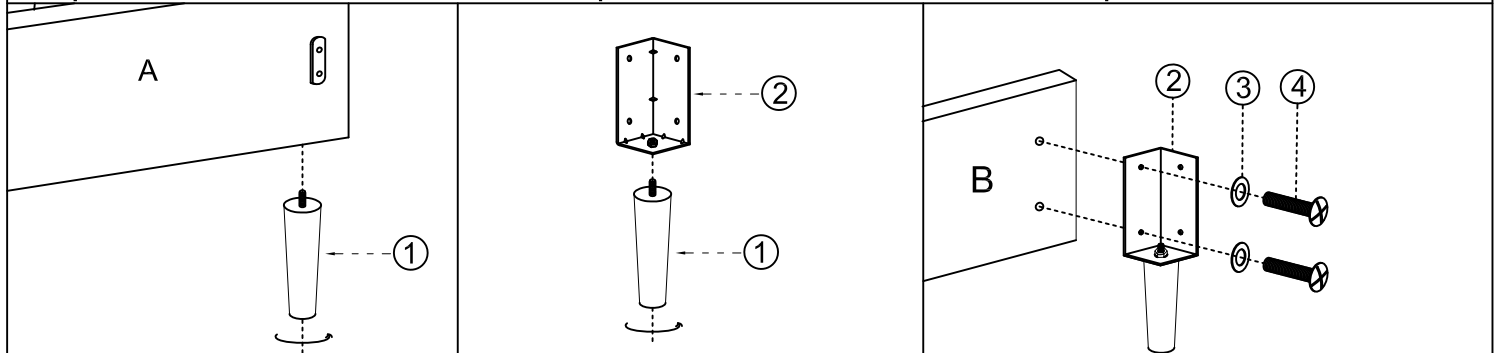
## PART LIST

Headboard A X 1	Footboard B X 1	Side Rail (Left) C X 1
Side Rail (Right) D X 1	Centre Rail E X 1	

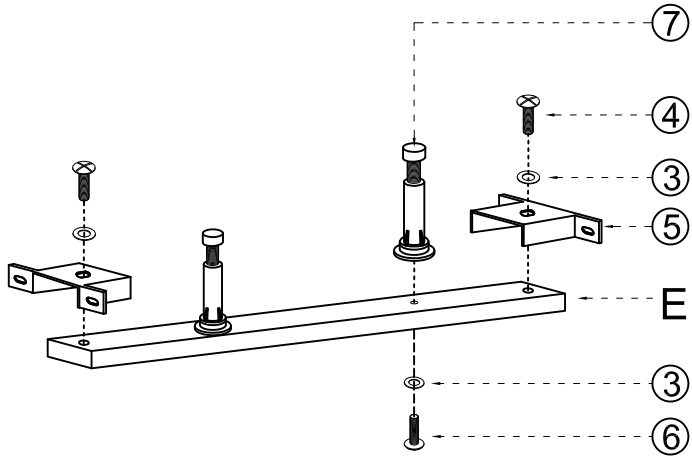
### Step 1

### Step 2

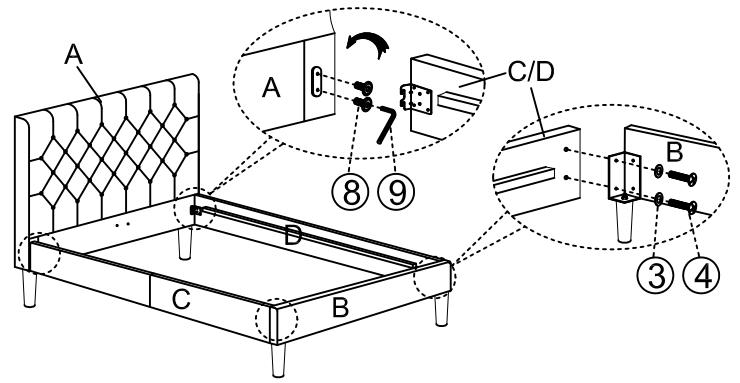
### Step 3



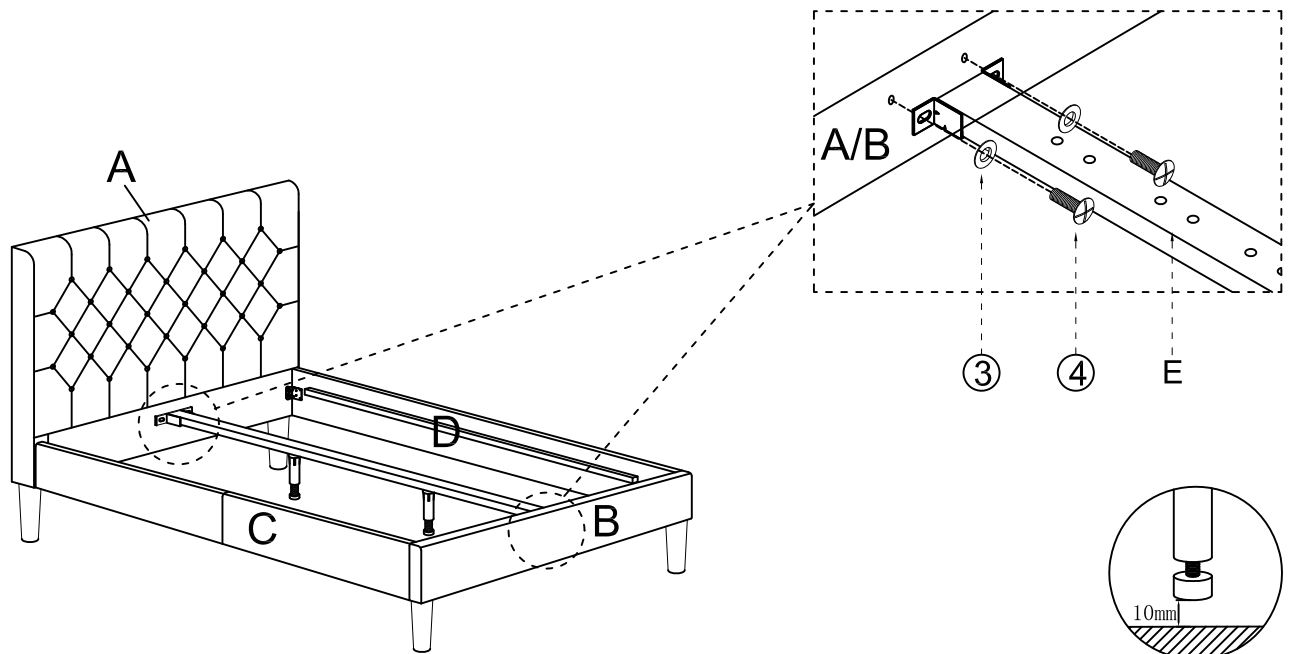
### Step 4



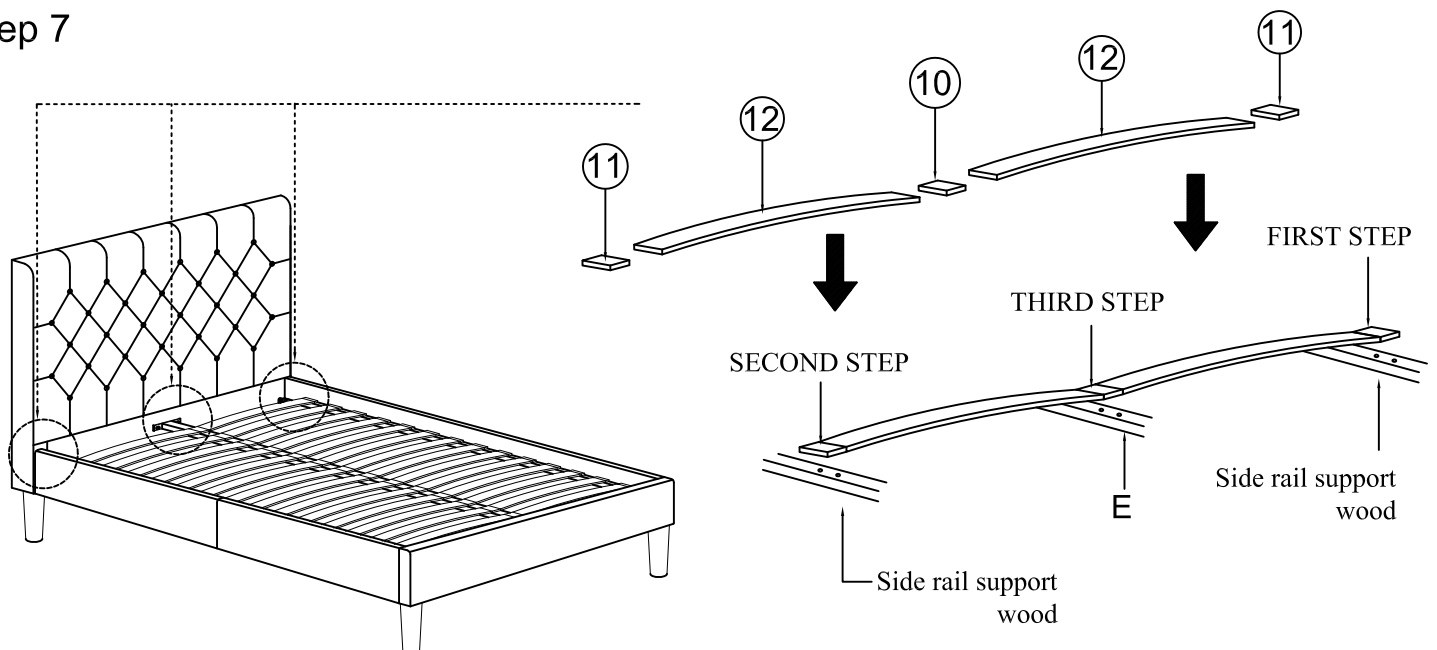
### Step 5



### Step 6



### Step 7



REMARK : ONCE BED IS ASSEMBLED, **DO NOT** SIT, STAND OR APPLY WEIGHT DIRECTLY TO SLATS UNLESS MATTRESS IS IN PLACE.