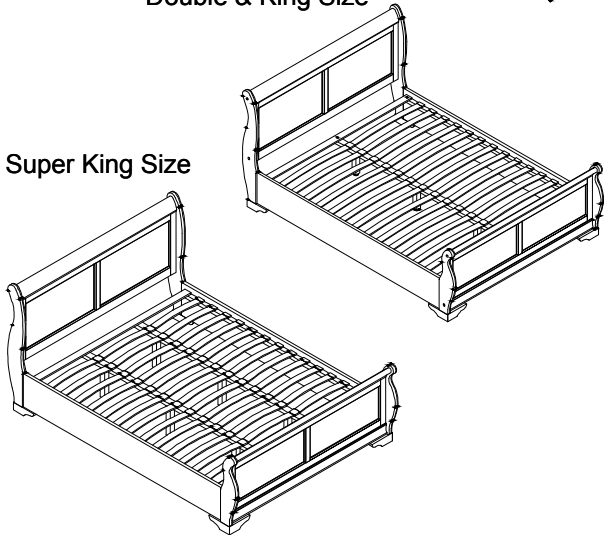


Double & King Size

Super King Size



PLEASE READ this sheet prior to assembly to familiarise yourself with the various stages of construction.

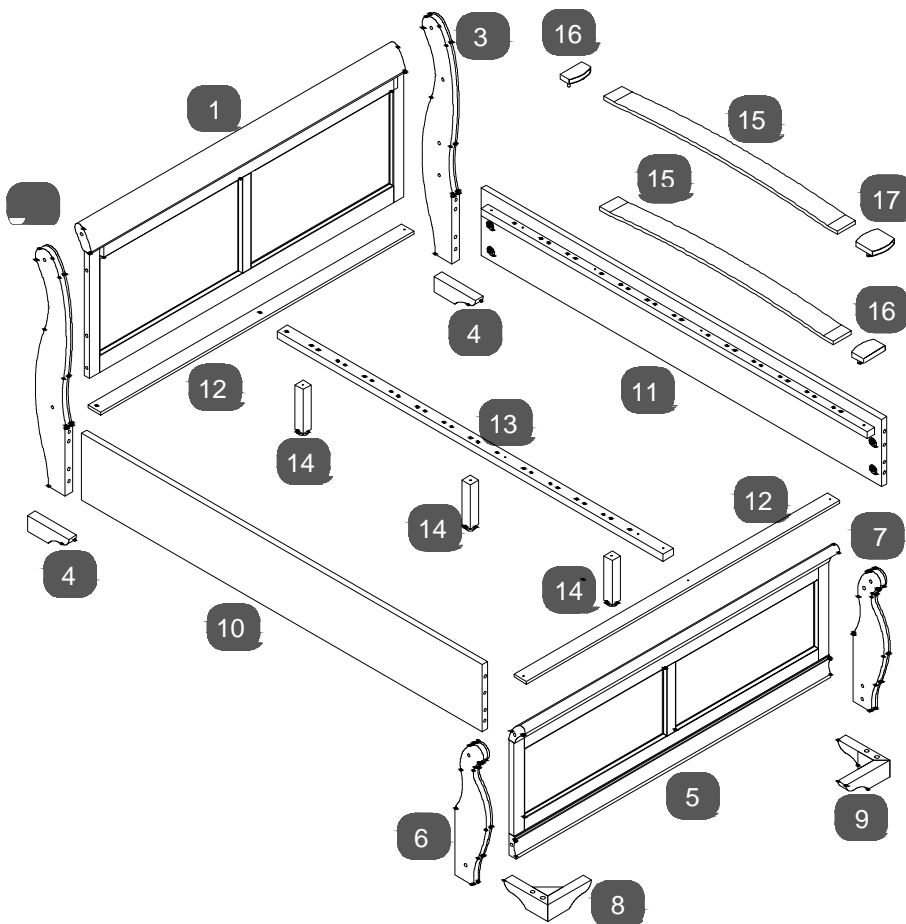
Carefully open the pack supplied and check the contents against the parts and fittings check list. Do not destroy any of the packaging until you are certain that you have all the necessary parts for the assembly.

Please ensure that the packaging is disposed of in a safe and environmentally friendly way.

CAUTION: There are small components used in the construction of this unit. These loose items should be kept away from young children during assembly, to avoid the danger of choking.

IMPORTANT: BEFORE STARTING TO ASSEMBLE THE BED - PLEASE READ THESE INSTRUCTIONS CAREFULLY.

Parts Identification



Parts Checklist

Ref.	Description	Qty	Box
1	Headboard	1	1
2	Headboard Leg - LH	1	2
3	Headboard Leg - RH	1	2
4	Headboard Feet	2	3
5	Footboard	1	1
6	Footboard Leg - LH	1	2
7	Footboard Leg - RH	1	2
8	Footboard Foot - LH	1	3
9	Footboard Foot - RH	1	3
10	Side Rail - LH	1	3
11	Side Rail - RH	1	3
12	Slat Support Rail	2	3
13	Centre Rail	1/2	3
14	Centre Rail	3/6	3
15	Bentwood Slats	24/26/39	3
16	Single Plastic Caps	24/26	3
17	Double Plastic Caps	12/13/26	3

Care & Maintenance

In the unlikely event of missing or damaged parts, please contact your retailer. Please have this guide at hand quoting the part code reference numbers shown when requesting spare or replacement parts.

General Hints & Tips



Please retain your assembly instruction and tools provided for future use. Periodically check that all bolts are still tight.



Approximate time to assemble this product

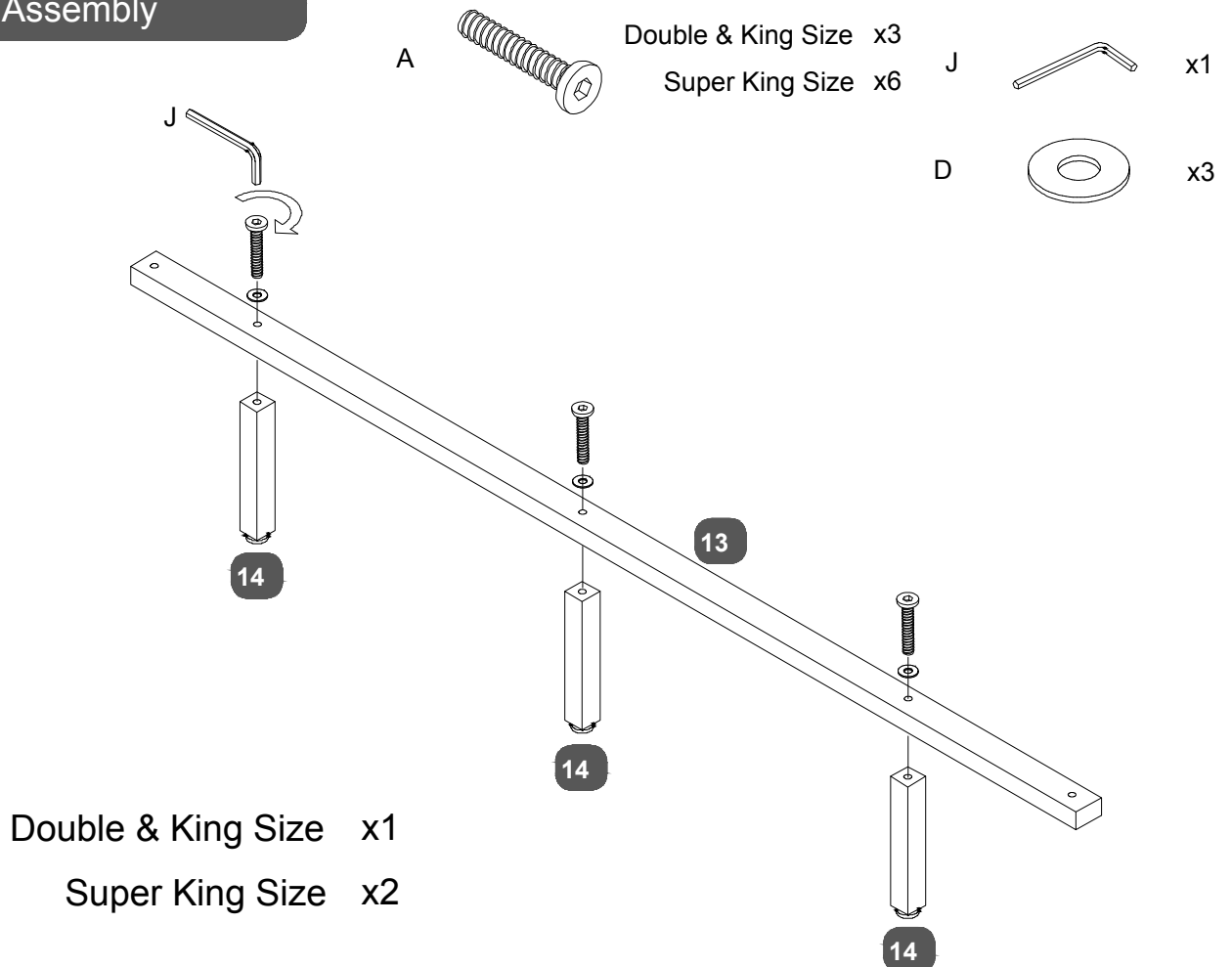
Fittings Checklist

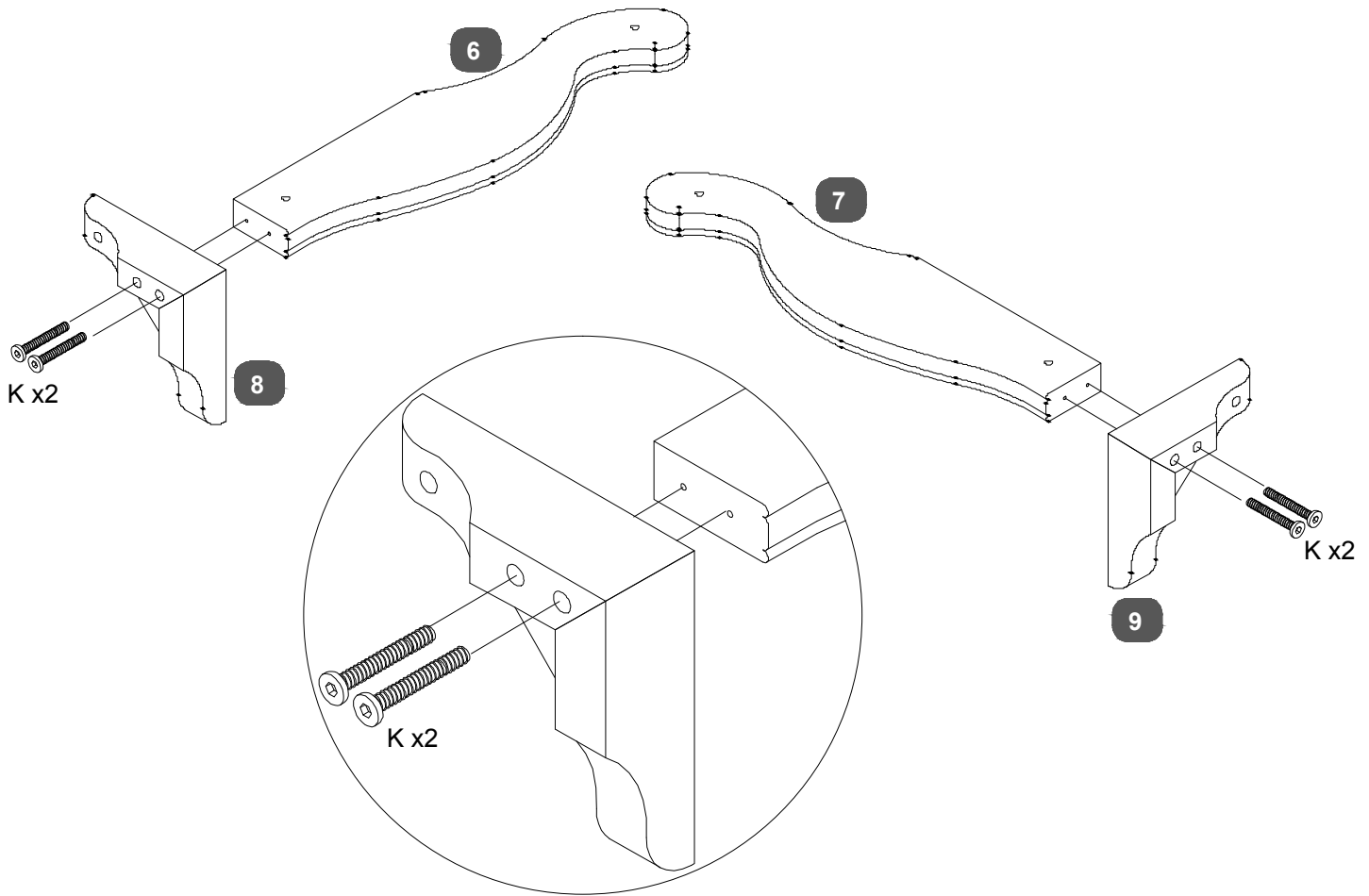
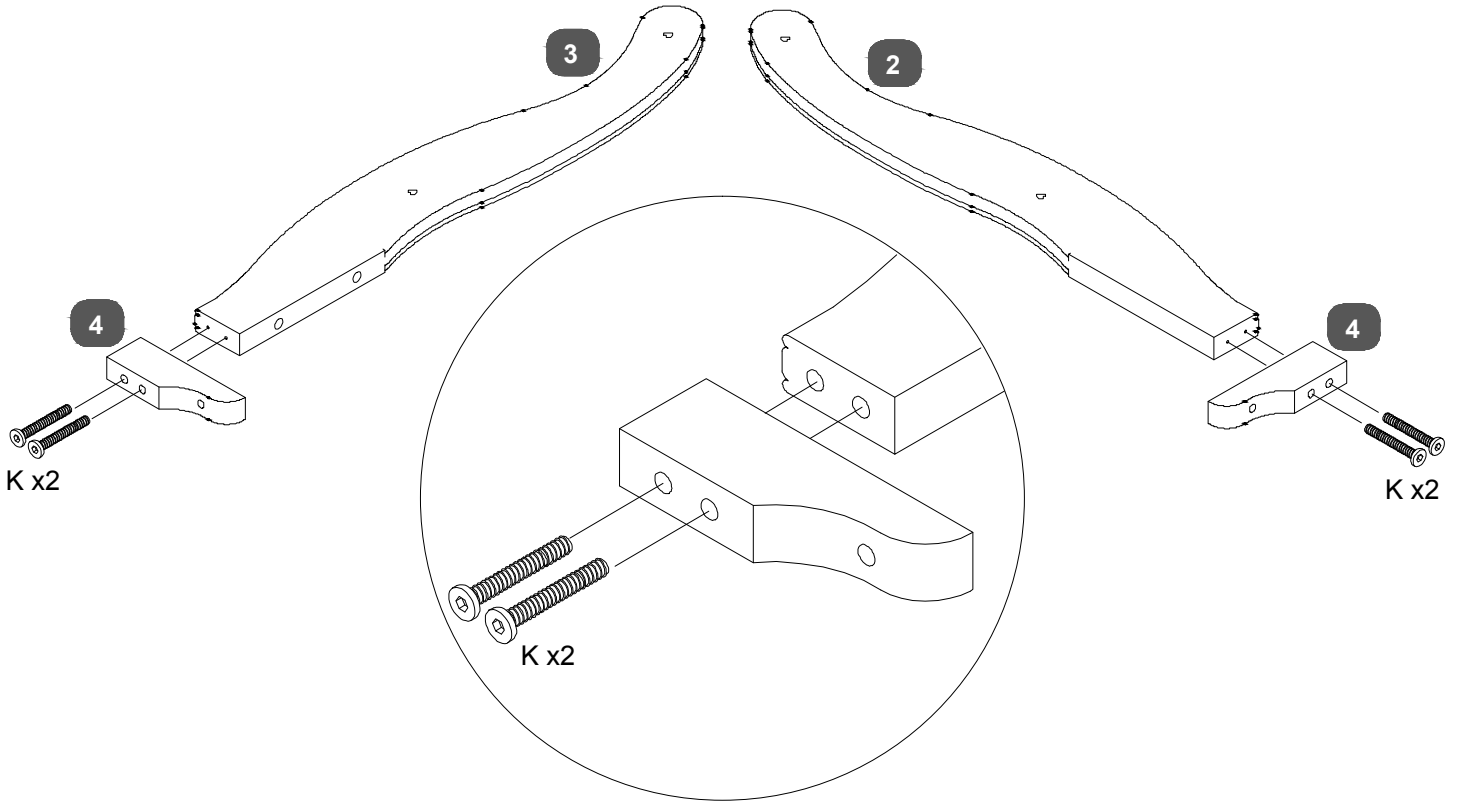
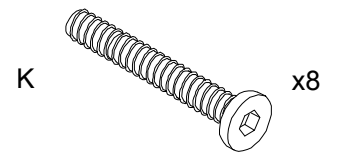
HARDWARE NEEDED FOR BED ASSEMBLY

Code	Description	Qty	Box	Code	Description	Qty	Box
A	Bolts (M8x40mm) for fitting legs (2&3) to headboard (1) fitting legs (6&7) to footboard (2) fitting centre rail support legs (14) to centre rail (13)	Double & King Size	x11	G	Spanner for M8 bolts	x1	3
		Super King Size	x14				
B	Bolts (M8x80mm) for fitting side rails (3&4) to headboard (1) and footboard (2)	x8	3	H	Bolts (M8x20mm) for fitting slat support bar (12) to side rails (10&11)	x6	3
C	Nuts for M8 bolts	x8	3	I	Screw (Ø4x45mm)	x4	3
D	Flat washers for M8 bolts	x19	3	J	Allen Key for M8 bolt	x1	3
E	Spring washers for M8 bolts	x8	3	K	Bolts (M8x65mm) for fitting feet (4&9) to side legs (2,3,6 & 7)	x8	3
F	Bracket	x8	3	L	Dowel (Ø10x40mm)	x16	3
				M	Wooden cover (Ø19.5x5mm)	x8	3

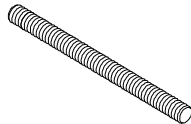
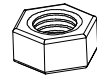
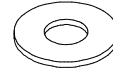

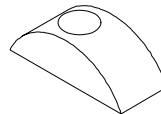

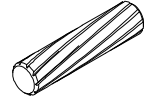
Bed Assembly

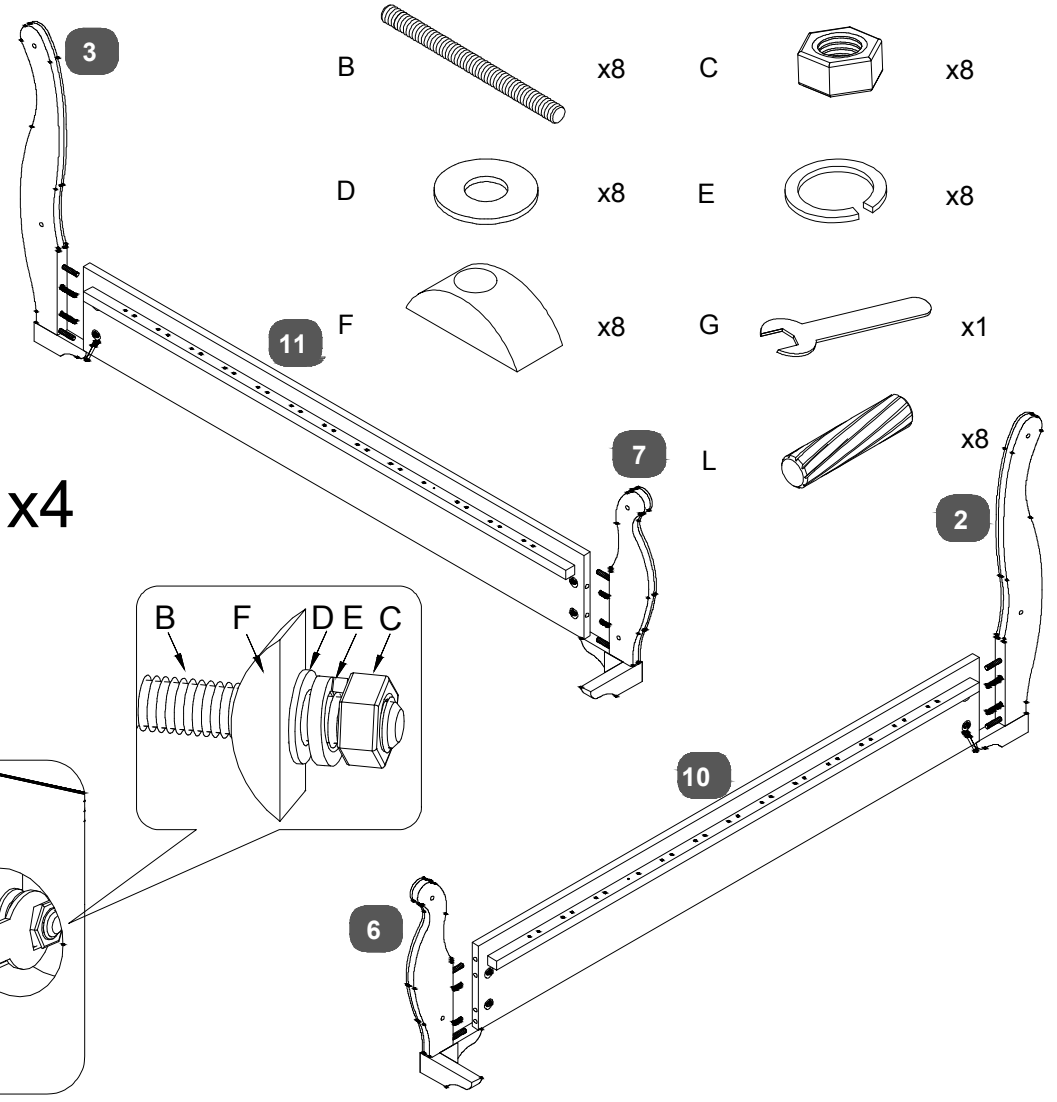
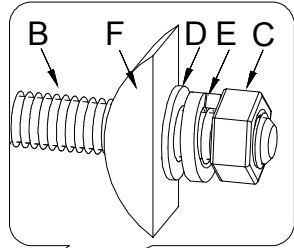
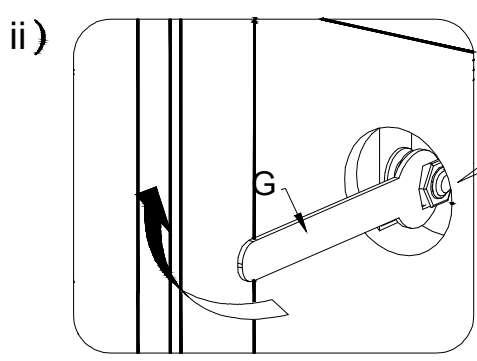
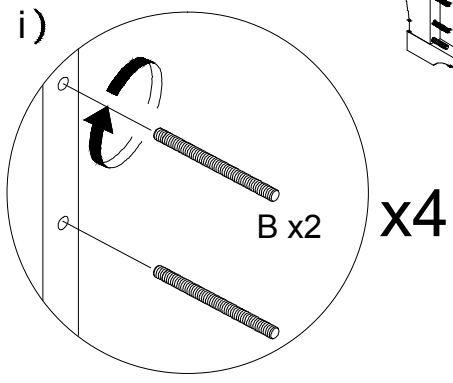
Stage
1



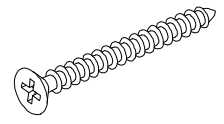


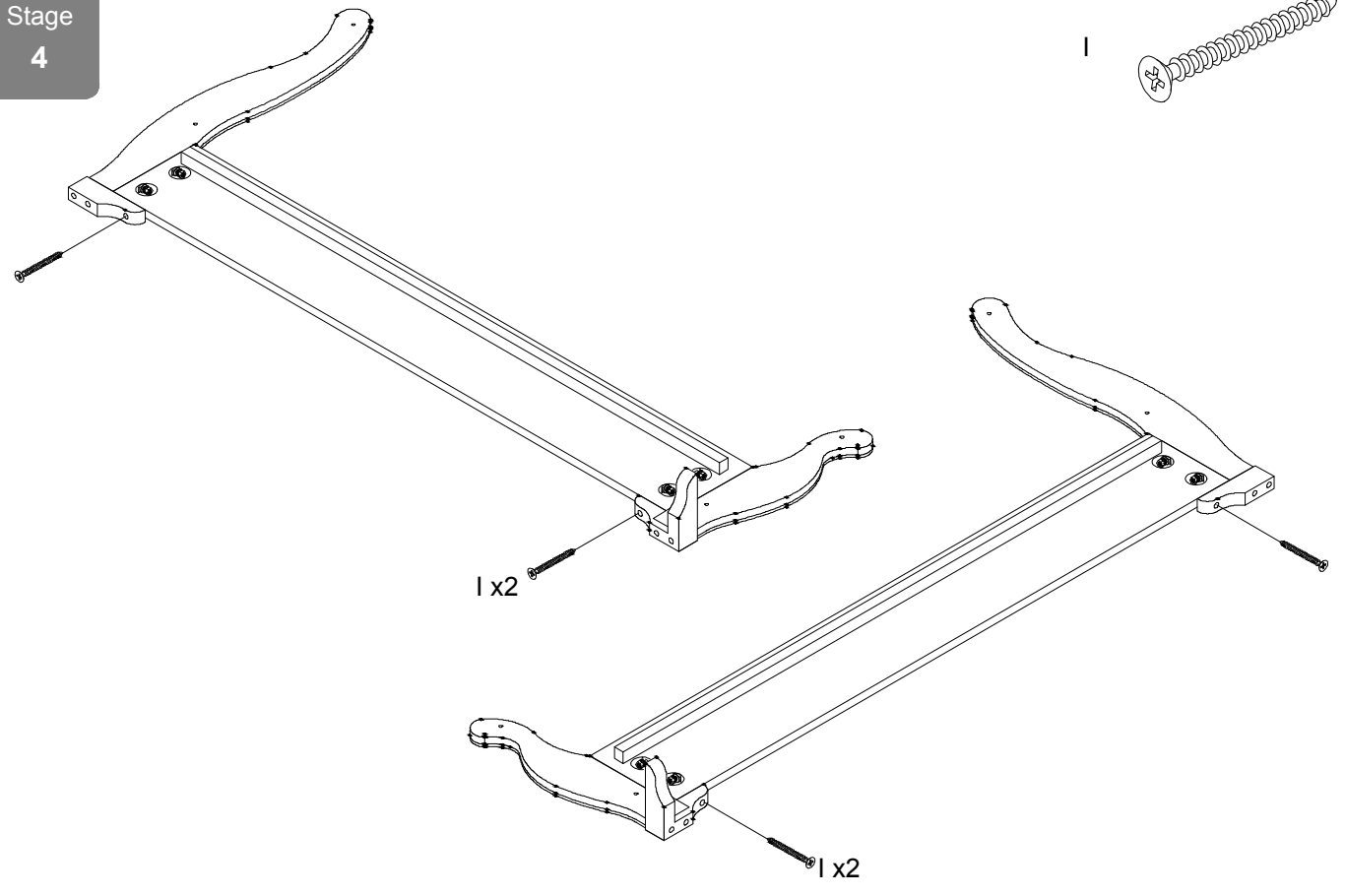
Stage
3

- B  x8
- C  x8
- D  x8
- E  x8
- F  x8
- G  x1
- L  x8

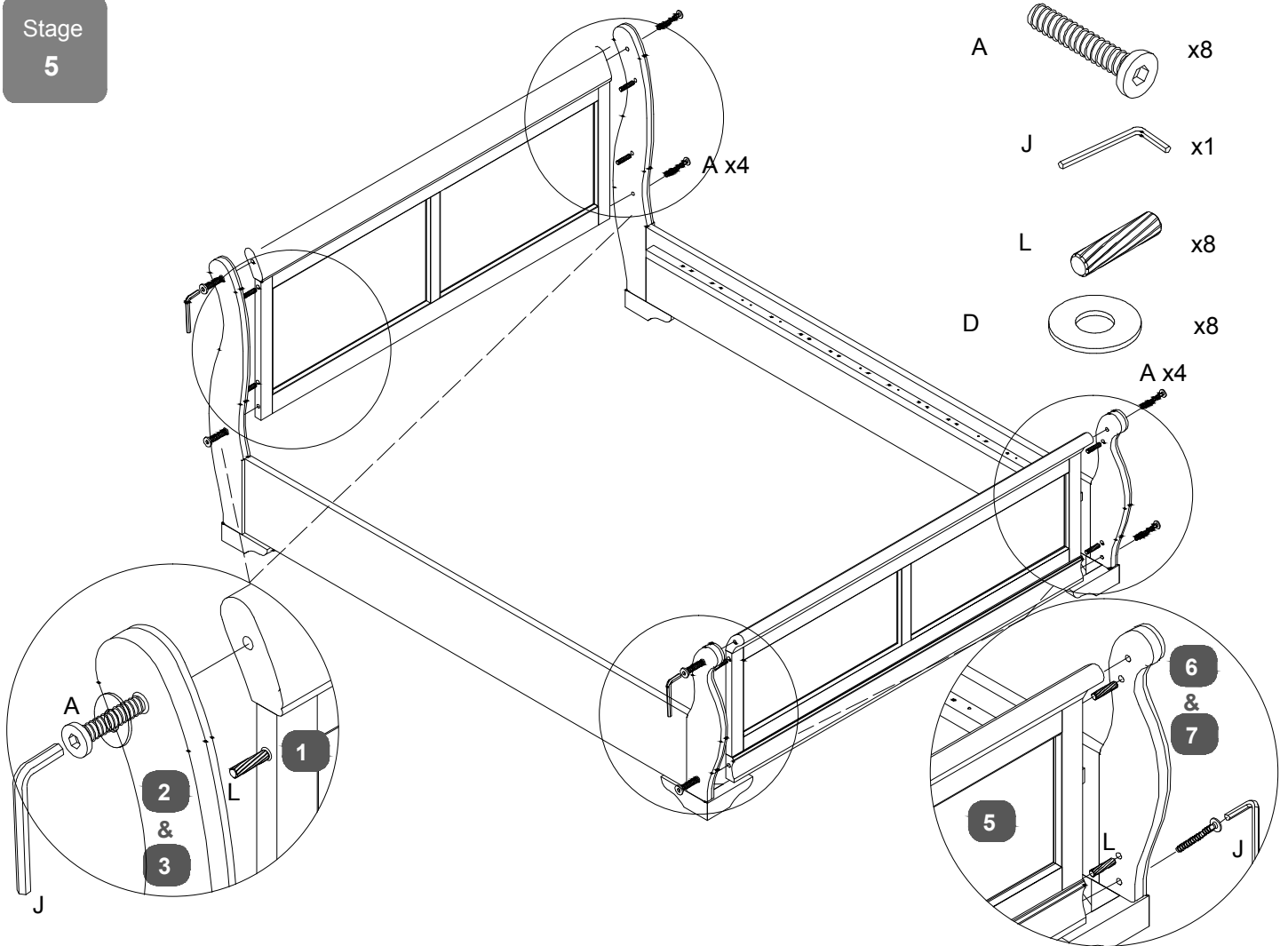


Stage
4

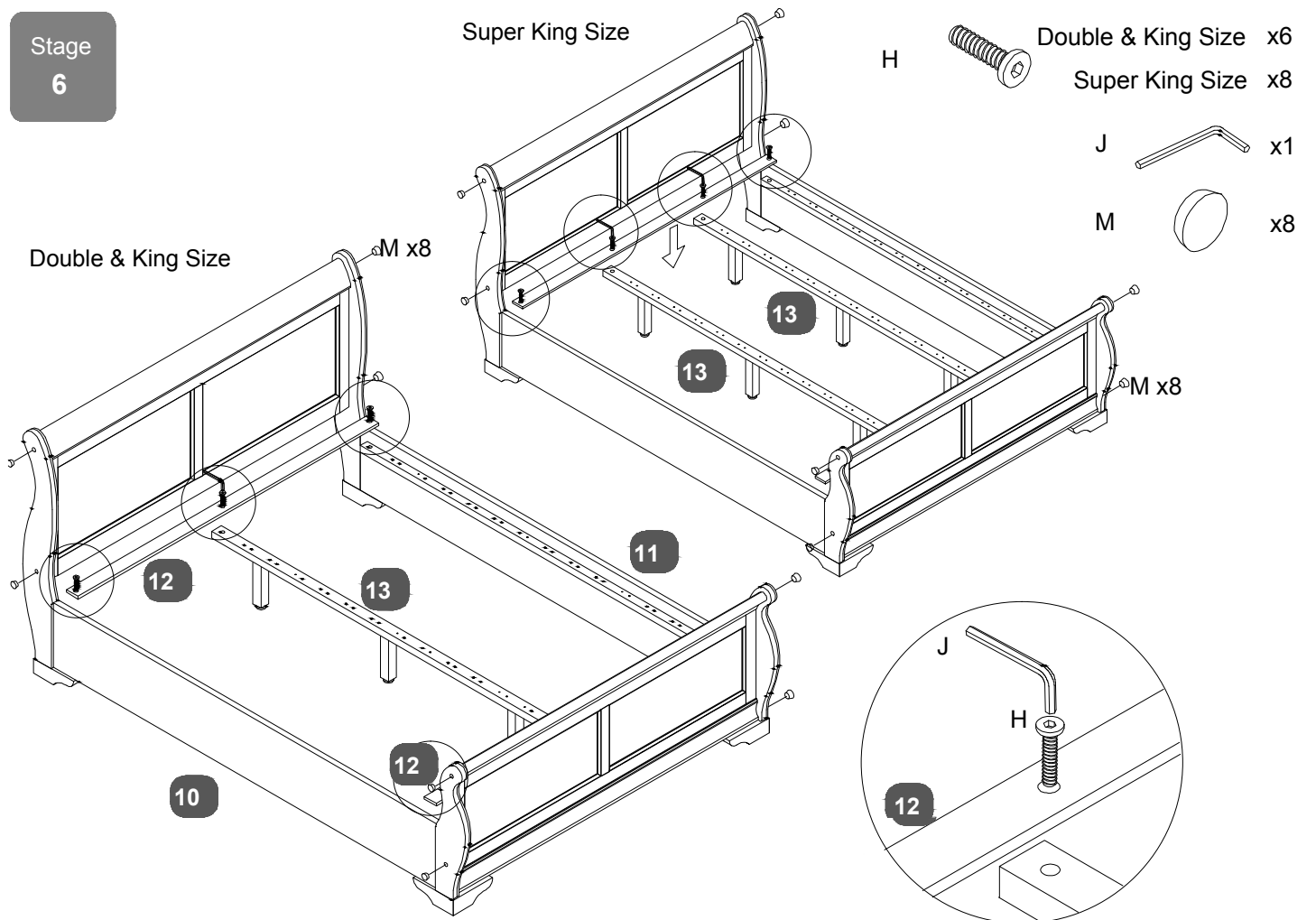
- I  x4



Stage
5



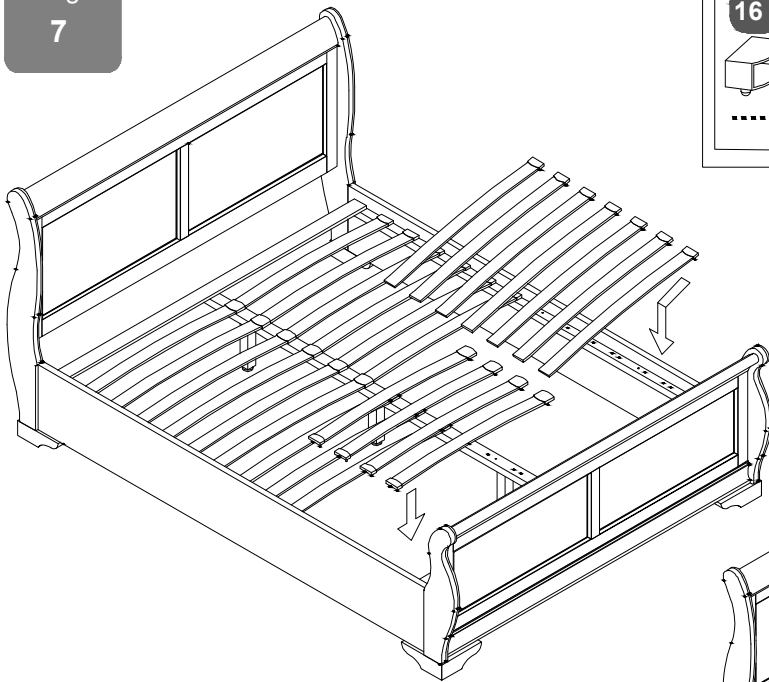
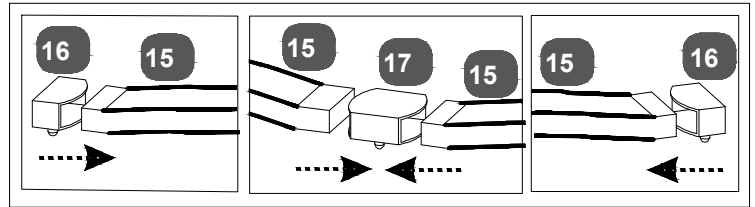
Stage
6



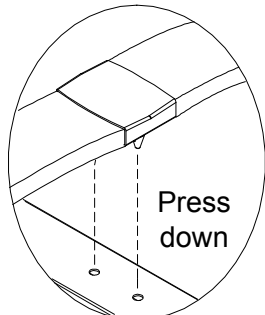
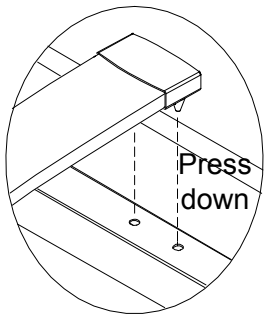
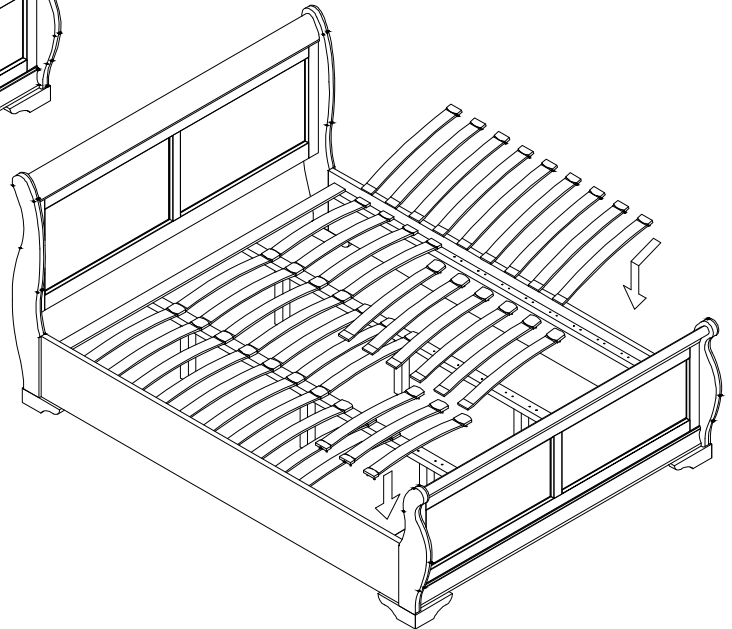
Stage

7

Double & King Size



Super King Size



Overall Dimensions (LWH cm)

Double: 211 x 144 x 103.5

King: 221 x 159 x 103.5

Super King: 221 x 189 x 103.5

Storage Dimensions (LWH cm)

Double: 193 x 137.5

King: 203 x 152.5

Super King: 203 x 182.5

Slats Dimensions (LWH cm)

Double: 67.5 x 5.3 x 0.9

King: 75.1 x 5.3 x 0.9

Super King: 60.0 x 5.3 x 0.9

Distance between slats

8cm

