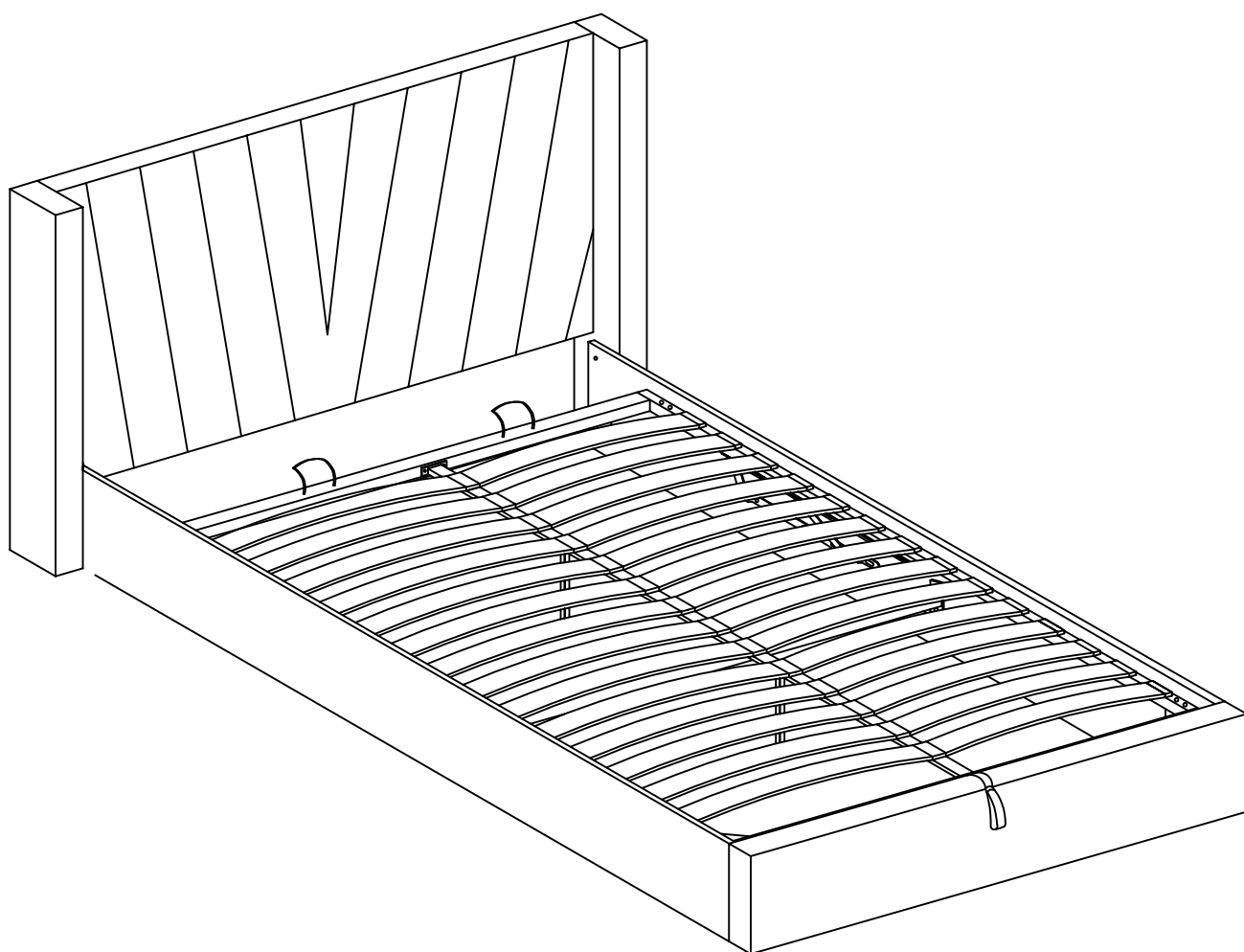


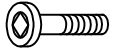
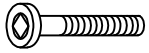












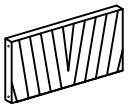


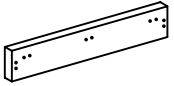



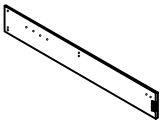
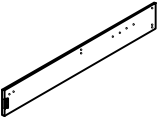


# Assembly Instruction



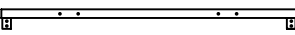
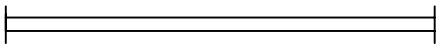
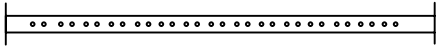
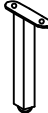


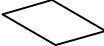
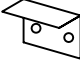
**CF 9510-E 5'**



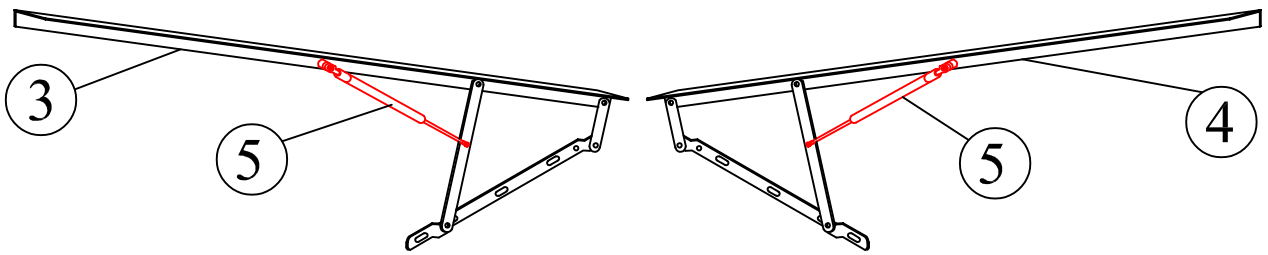
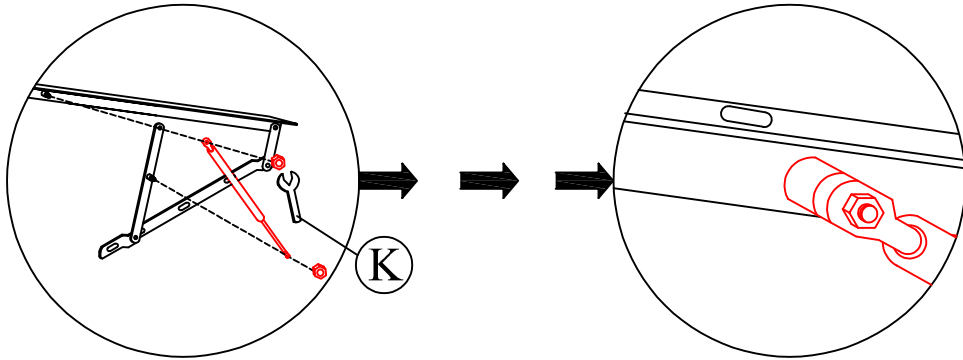
PARTS INVENTORY		
ID	DESCRIPTION	QTY
(A)	M6*20 BOLT 	8
(B)	M8*20 BOLT 	18
(C)	M8*30 BOLT 	8
(D)	M8*50 BOLT 	22
(E)	FLAT WASHER M8 	48
(F)	SPRING WASHER M8 	12
(G)	FLAT WASHER M6 	8
(H)	NUT M8 	12

PARTS INVENTORY		
ID	DESCRIPTION	QTY
(I)	M4 ALLEN KEY 	1
(J)	M5 ALLEN KEY 	1
(K)	M8 SPANNER 	1
(L)	PROTECTIVE PAD 	6
(M)	BLACK PIN 	8
(N)	MATTRESS STOPPER 	2

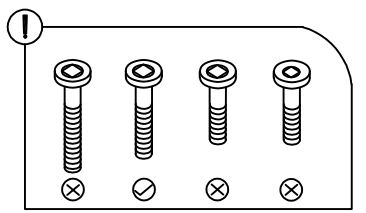
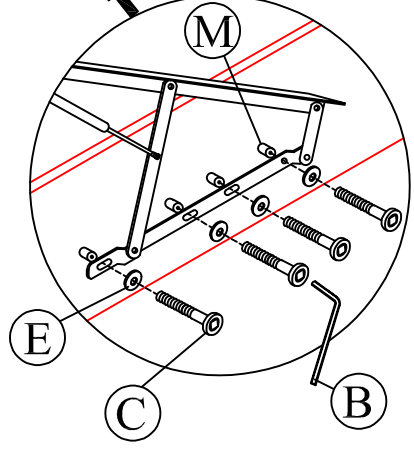
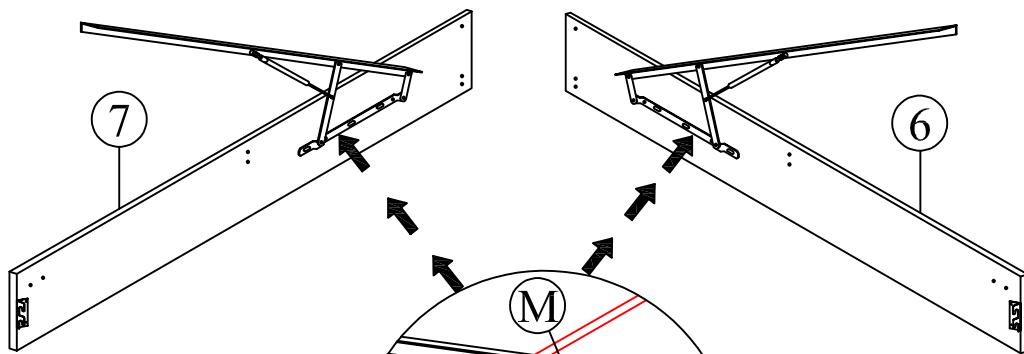
PARTS INVENTORY		
ID	DESCRIPTION	QTY
①	Headboard 	1
①.1	Right Wings 	1
①.2	Left Wings 	1
②	Footboard 	1
③	Left Gas Lift Frame 	1
④	Right Gas Lift Frame 	1
⑤	Gas Lift Machine 	2
⑥	Right Side Rail 	1
⑦	Left Side Rail 	1
⑧	Wood Slats 	30
⑨	Single Close Ended Clip 	30

PARTS INVENTORY		
ID	DESCRIPTION	QTY
⑩	Double Open-Ended Clip 	15
⑪	Side Rail Metal Bar 	2
⑫	Headboard and Footboard Metal Bar 	2
⑬	Side Rail Connector Metal Bar 	2
⑭	Middle Metal Bar 	1
⑮	Support Legs 	2
⑯	Gas Lift Strap 	1
⑰	Gold Corner 	2
⑱	Black Nonwoven Fabric 	1
⑲	Black Back Plate 	1

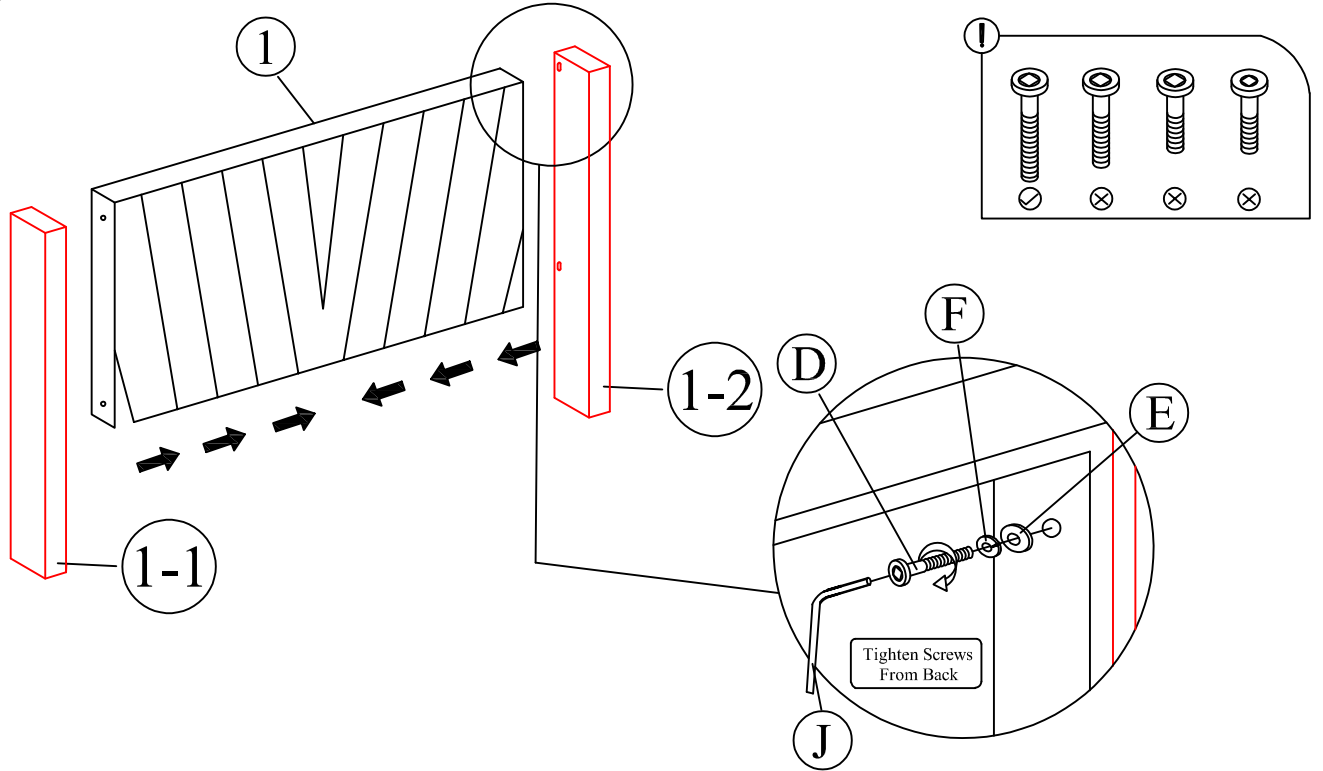
1



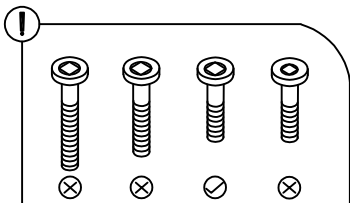
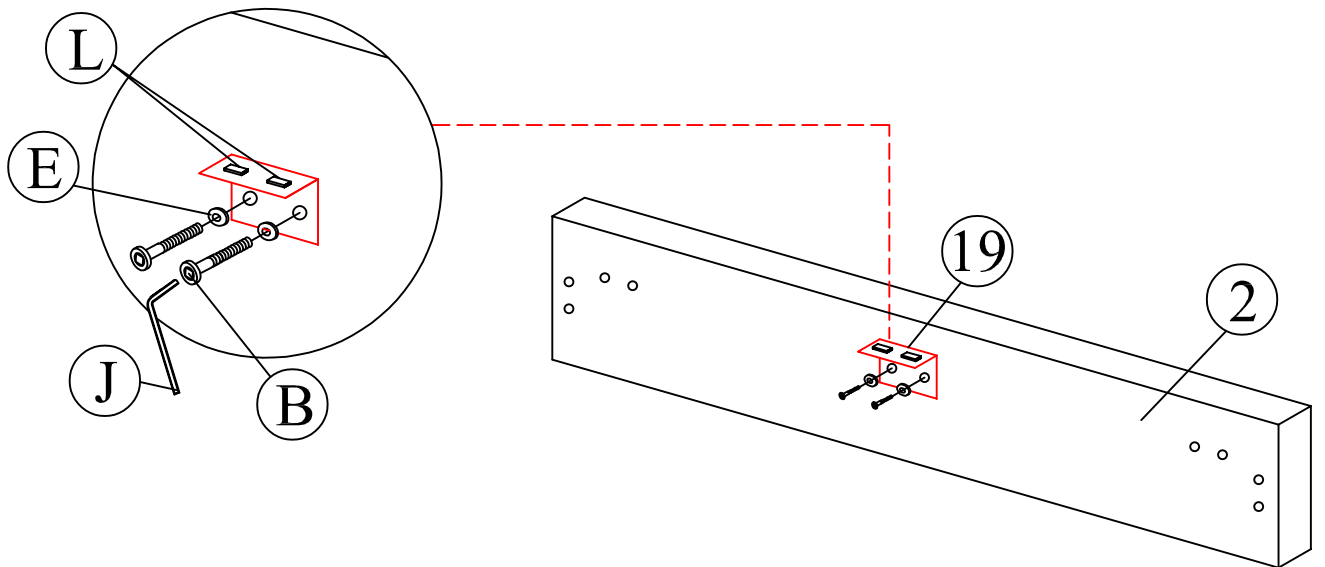
2



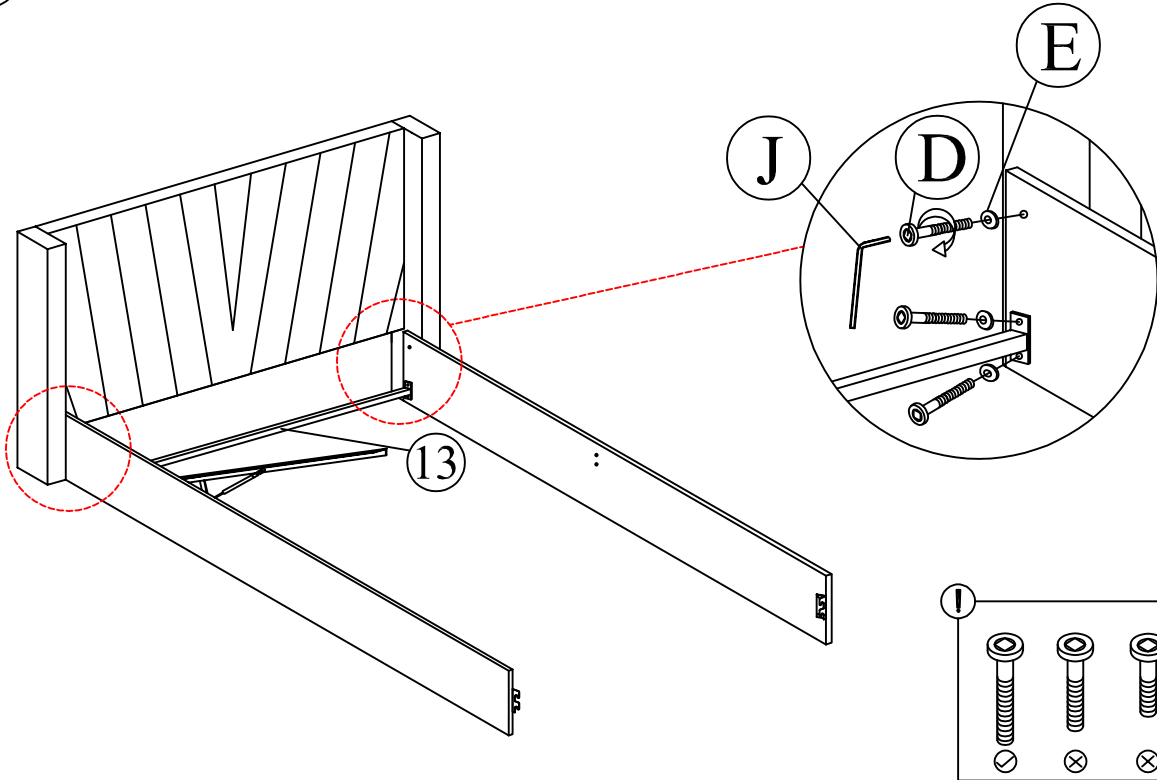
3



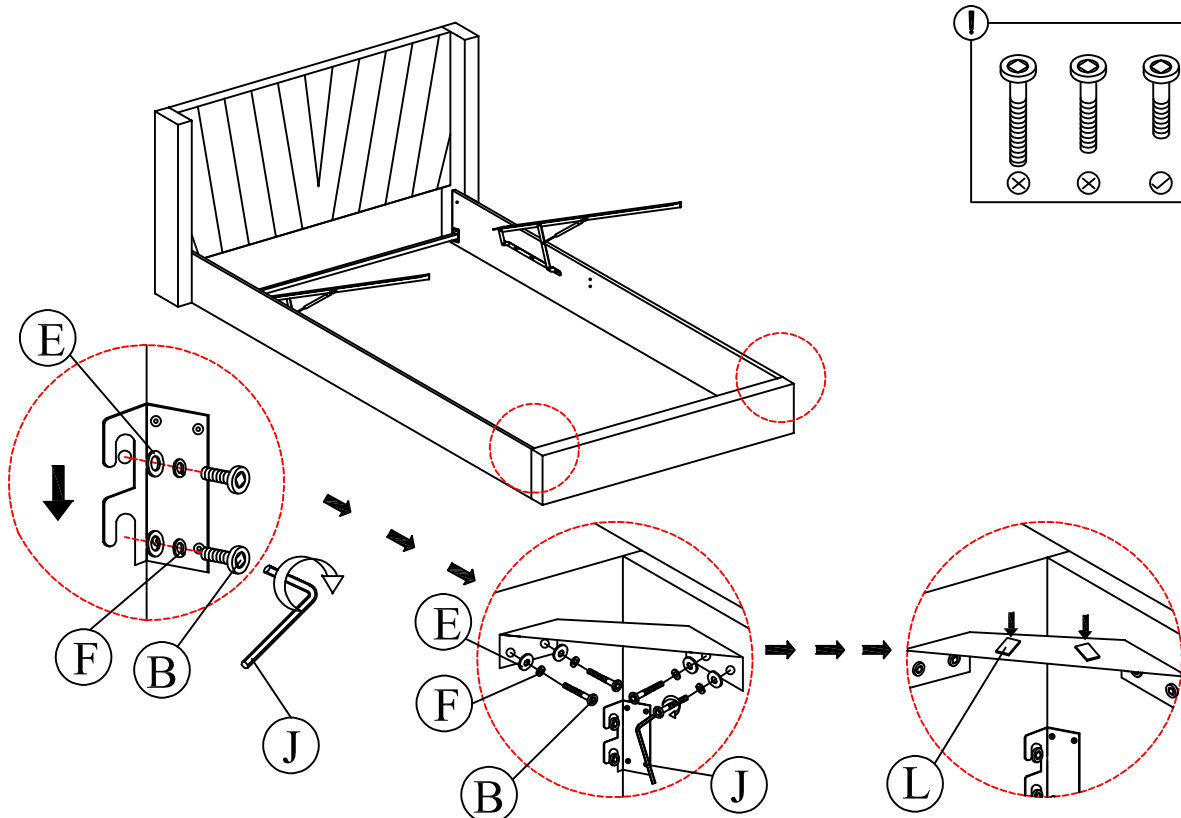
4



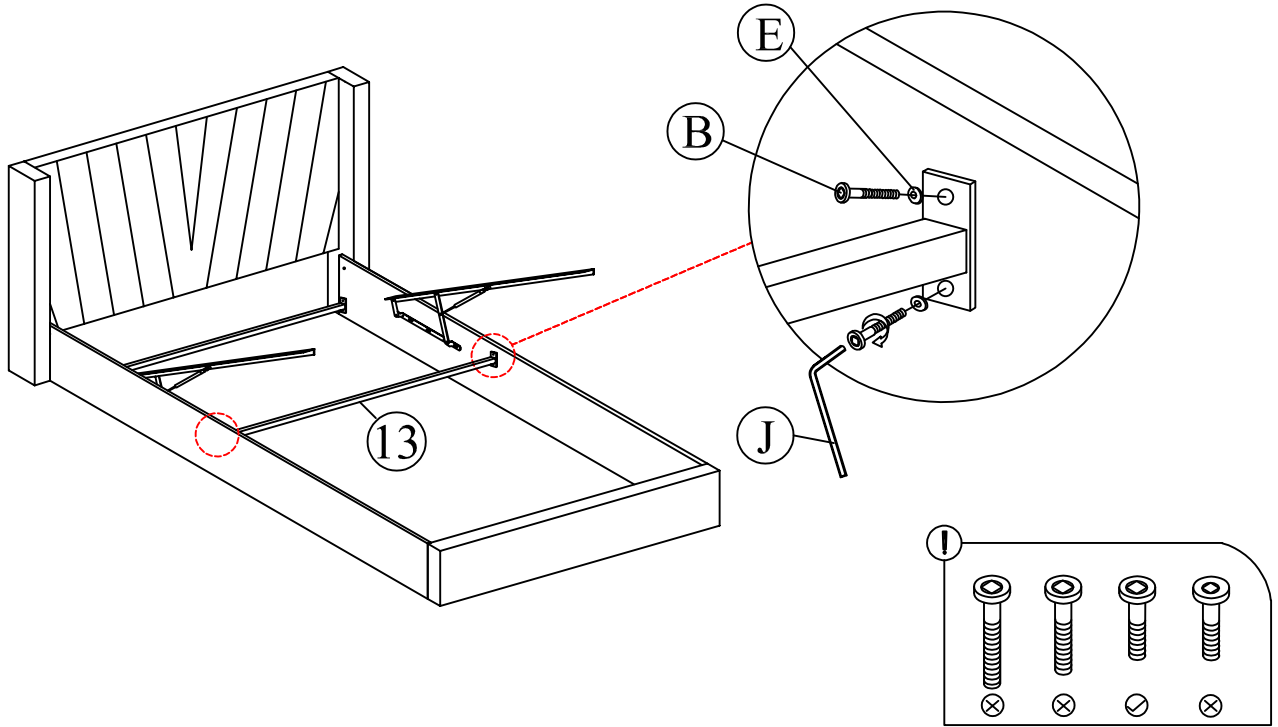
5



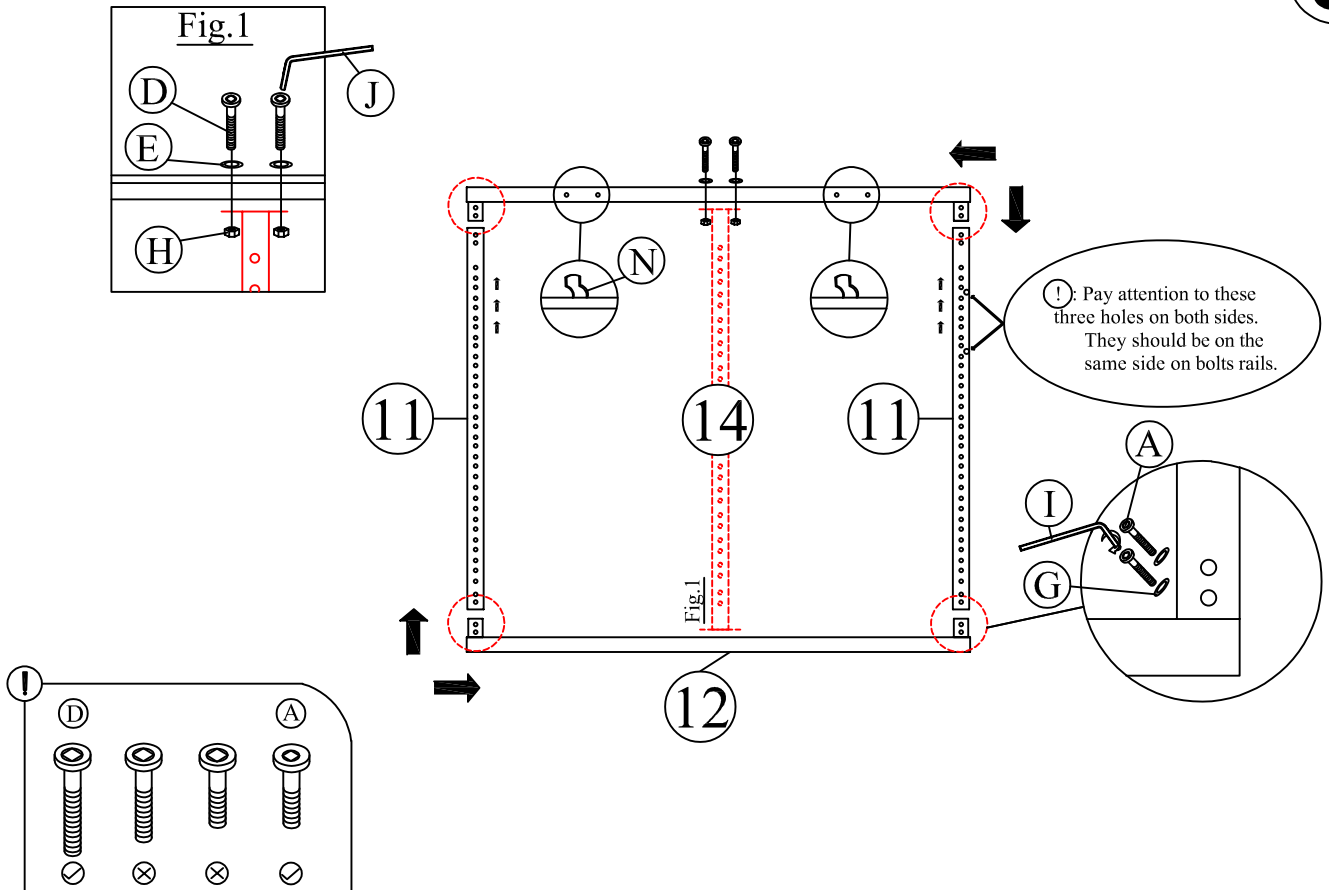
6



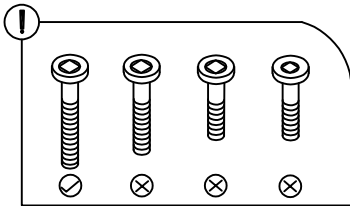
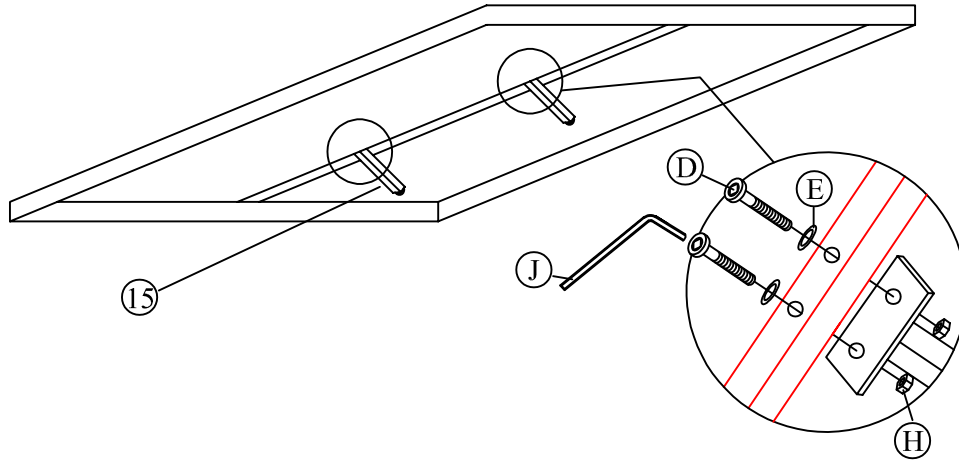
7



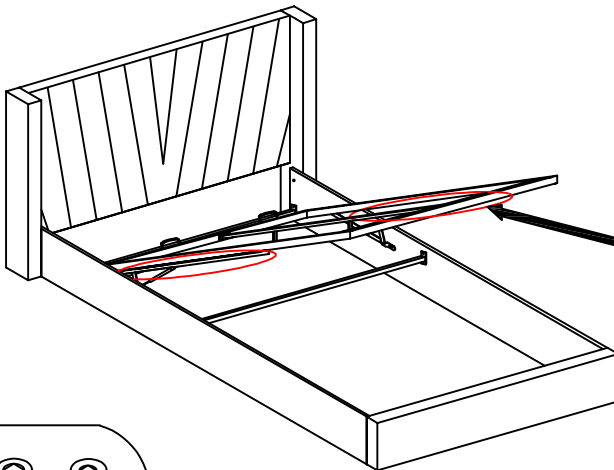
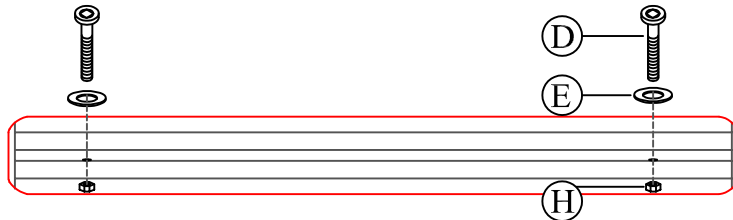
8



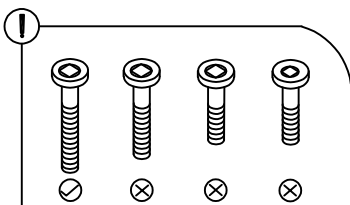
9



10

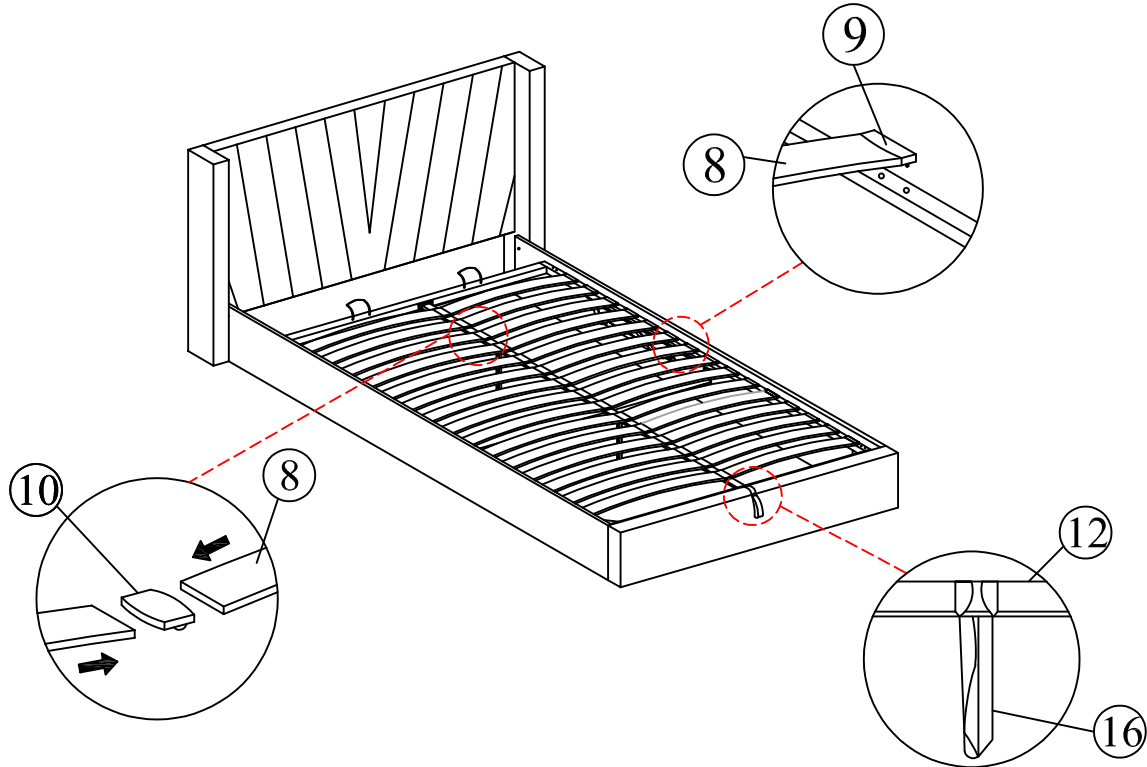


Heavy duty gaslift machines are used. Ensure to exert sufficient force while pulling down the storage compartment using the center strap only!

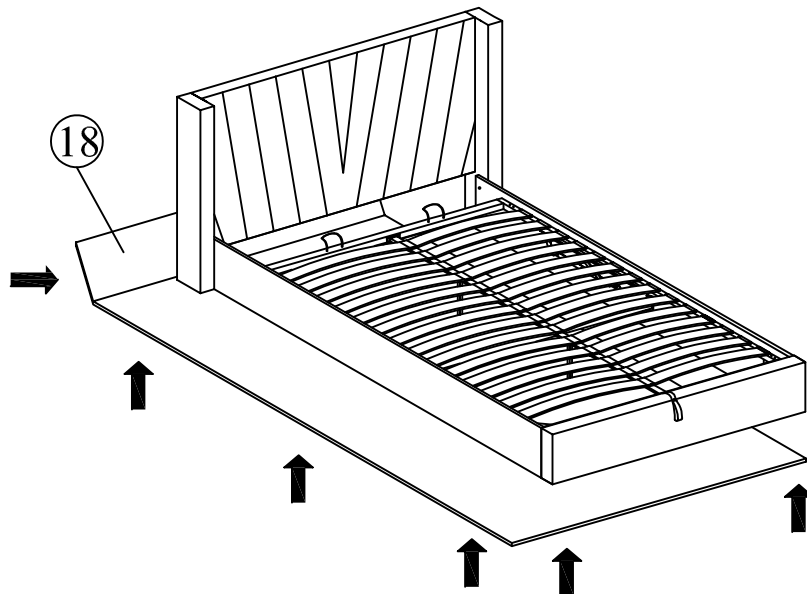




**11**



**12**



## **Important Information**

Please note that the recommended process for adjusting centre legs when assembling your bed.

Before placing the mattress on the base, please ensure that the **SUPPORT LEGS ARE NOT QUITE TOUCHING THE FLOOR**. When the bed is then in use the support legs will sit firmly on the solid surface.

PLEASE ENSURE THAT THE LEGS ARE VERTICAL.

DUE TO THE NATURE OF LAMINATE / WOODEN FLOORING WE RECOMMEND THAT YOU PLACE A SMALL PIECE OF NON SLIP MATERIAL UNDER THE LEGS WHICH WILL GIVE YOU THE FLEXIBILITY THE ADJUSTERS NEED.

When moving the bed it is essential that it is **LIFTED** into the new position. **NEVER DRAG** the bed as this will move the legs from the vertical position thus weakening the support of the centre rail.

Adhering to the recommended process should ensure that your bed gives you years of trouble free service.