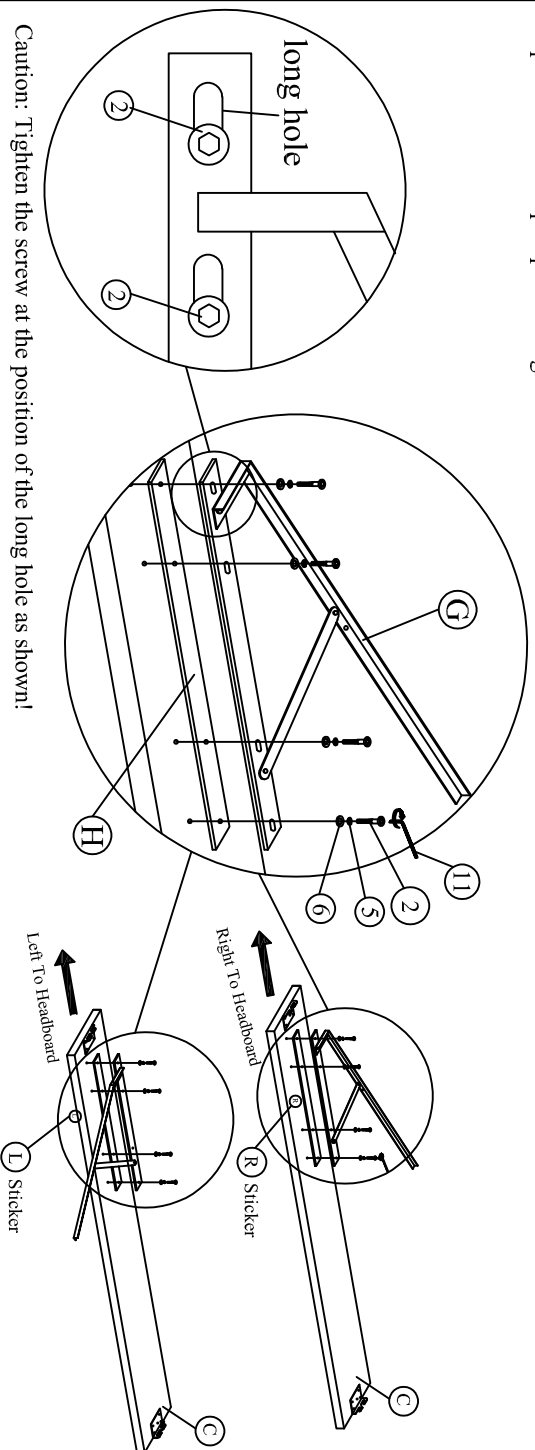


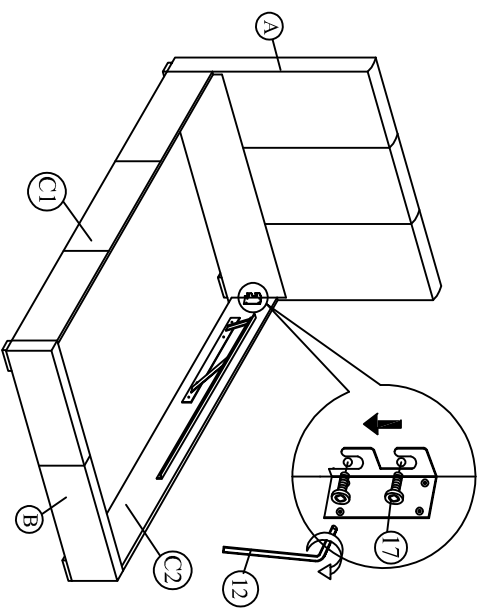


Step 1 : Attach the pump mounting bracket to both side rail.

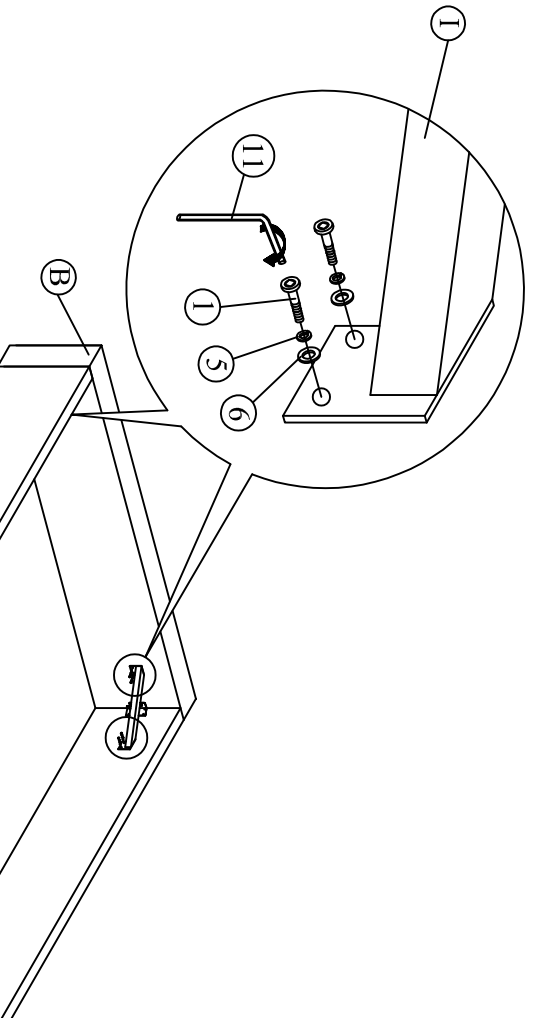


Caution: Tighten the screw at the position of the long hole as shown!

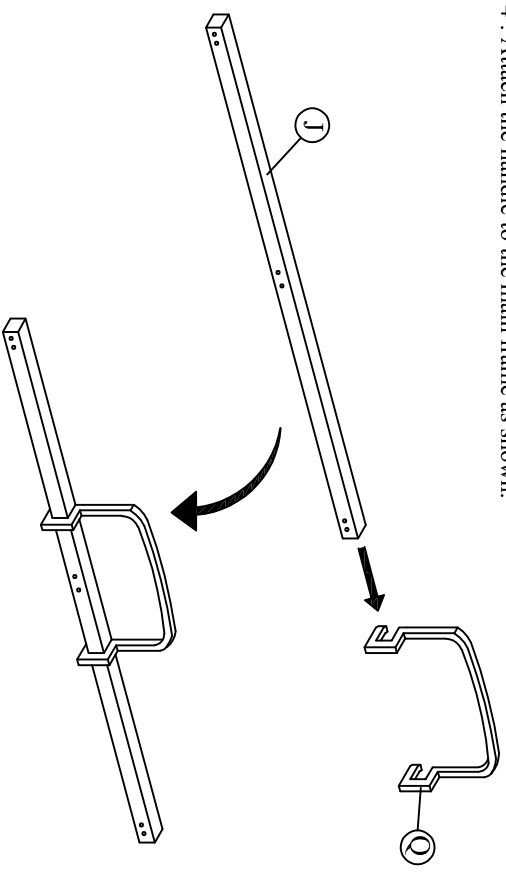
Step 2 : Hook and tighten the side rail to headboard and footboard.



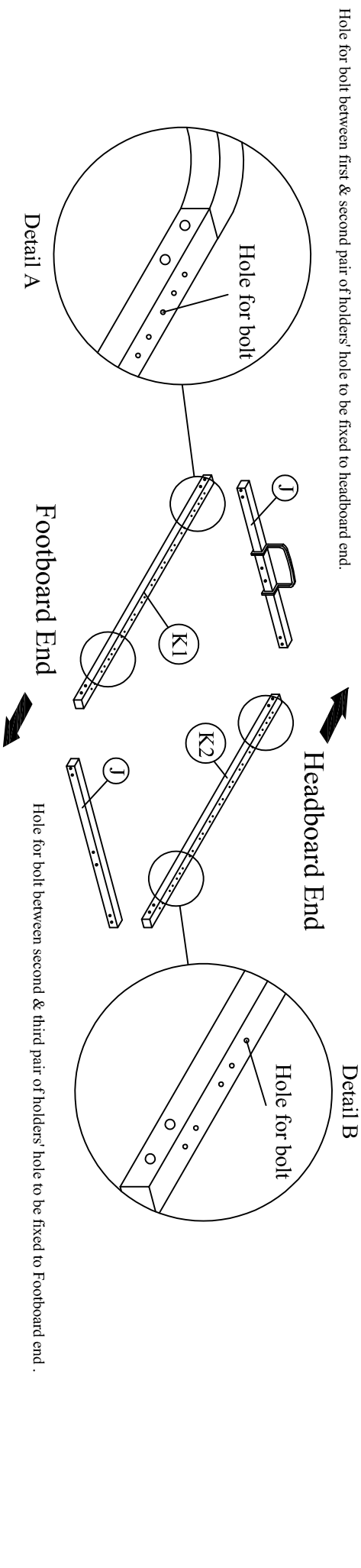
Step 3 : Tighten the angle bracket to both footboard & side rail.



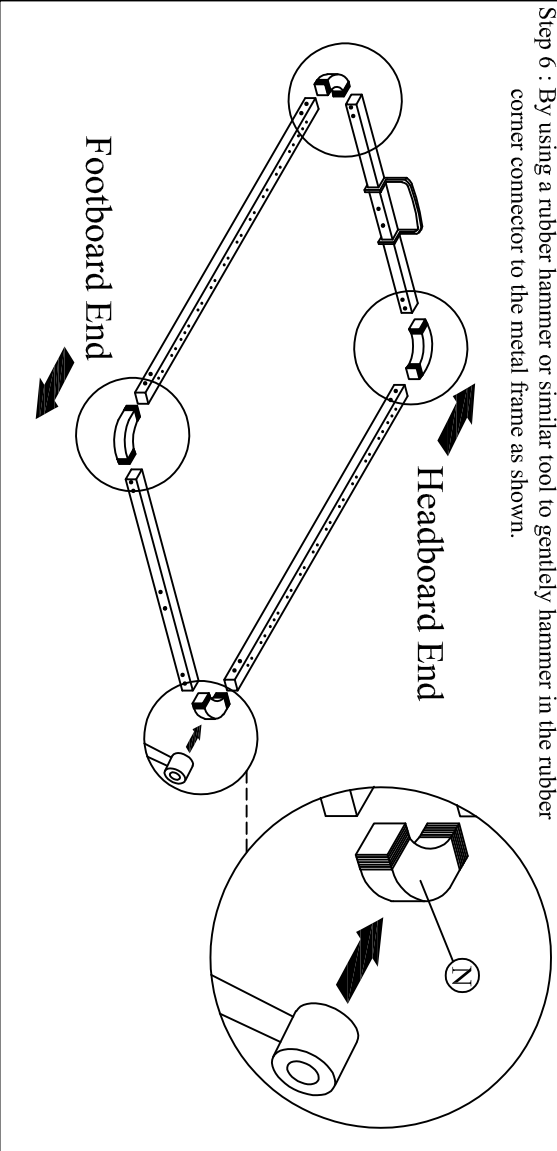
Step 4 : Attach the handle to the main frame as shown.



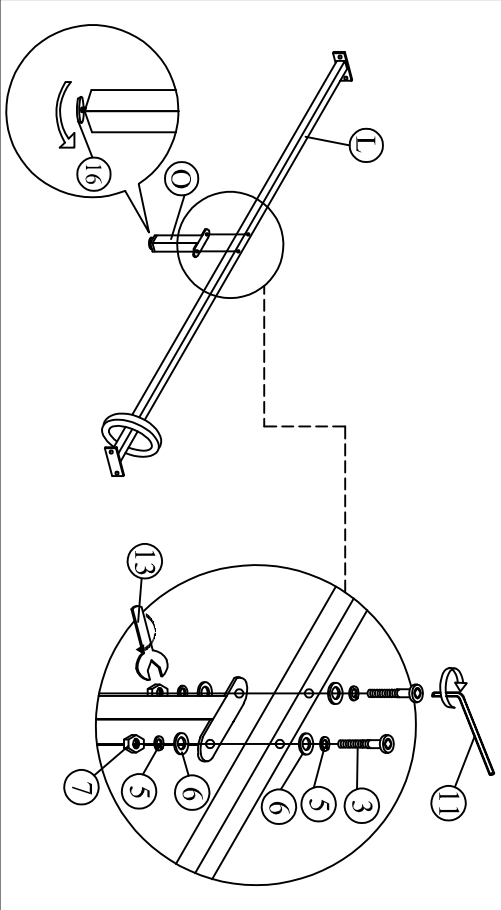
**Step 5 :** Assemble the main frame as shown. The hole for bolt between first & second pair of holders indicate the frame end where it will need to fix to headboard end. The hole for bolt between second & third pair of holders indicate the frame end where it will need to fix to footboard end.



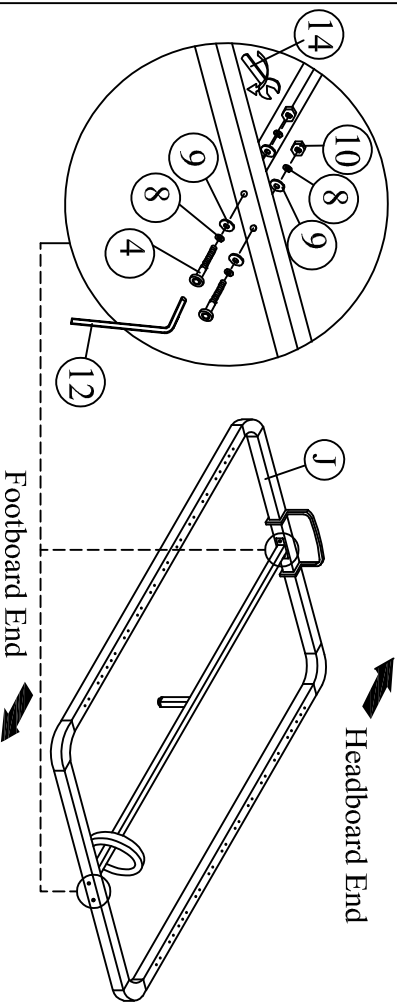
**Step 6 :** By using a rubber hammer or similar tool to gently hammer in the rubber corner connector to the metal frame as shown.



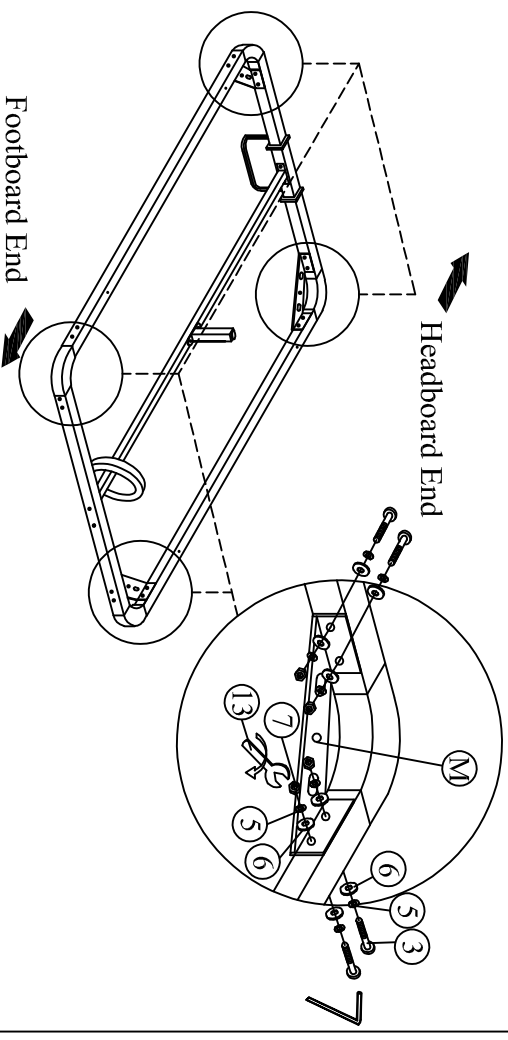
**Step 7 :** Attach the support leg to the center rail of the bed as shown. Slot the team lifter in the center rail. make sure the position of the frame lifter always near the footboard.



Step 8 : Attach the center rail to the main frame as shown and fully tighten all the screw of the main frame.

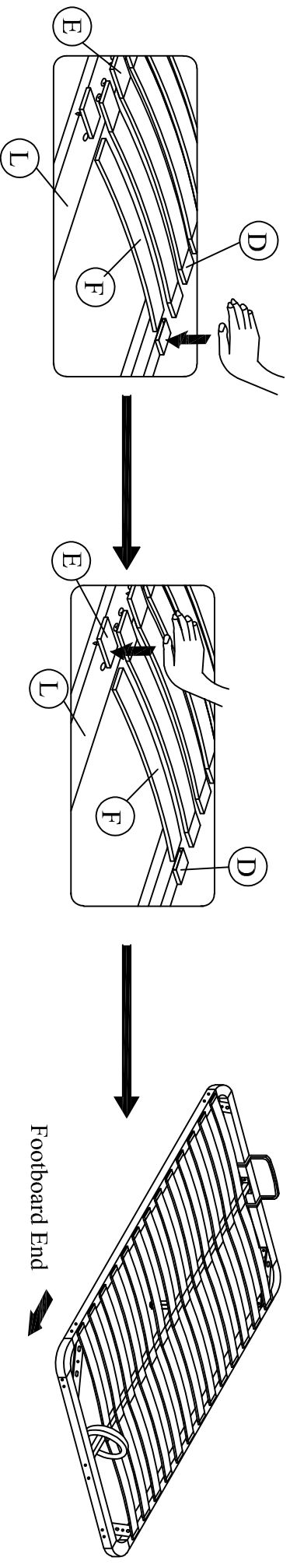


Step 9 : Turn the frame upside down for fixing the metal corner bracket to the main frame as shown.

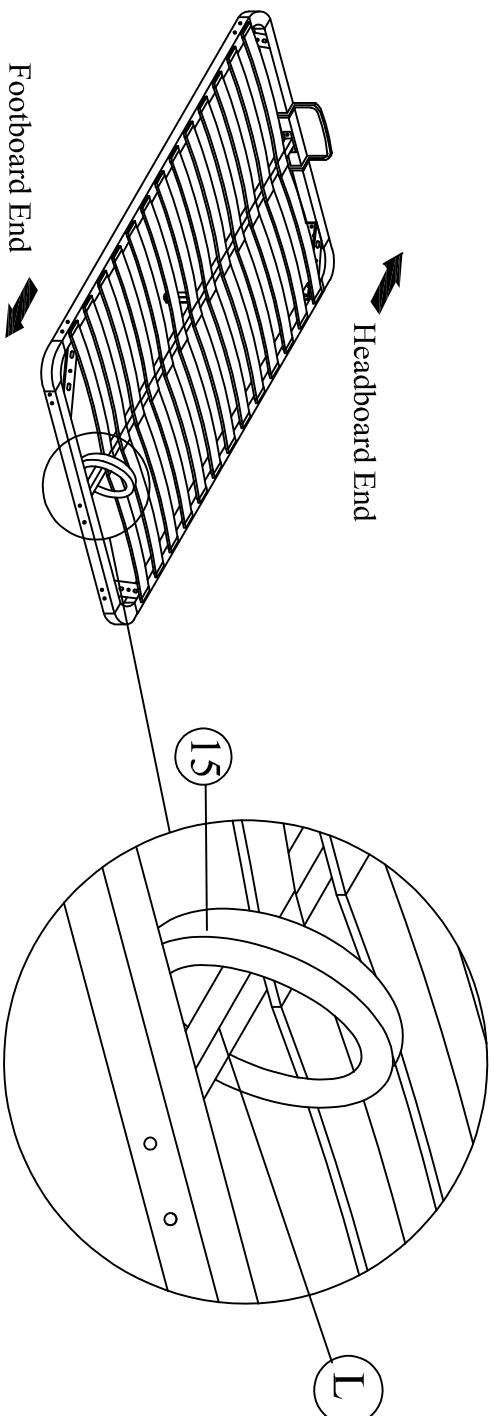


Step 10 : Install the slat holders with the slat and fix to the main frame.

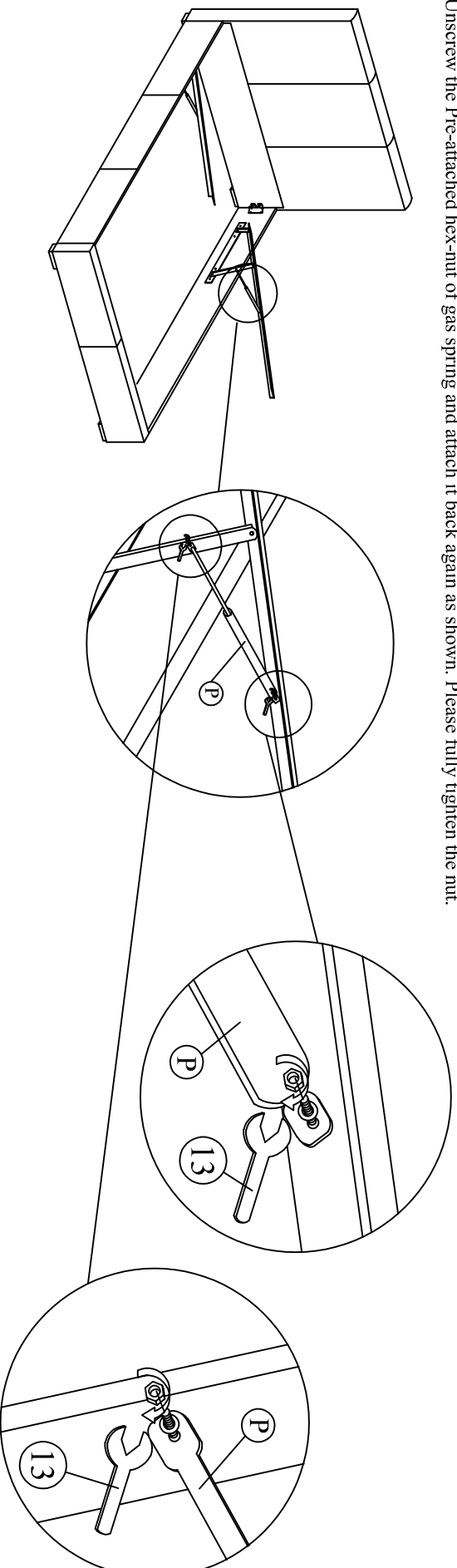
Fit Slat Holders (D) first & attach to outside rail, then fit slat holders (E) and attach to center rail (Note : fit D first then E)



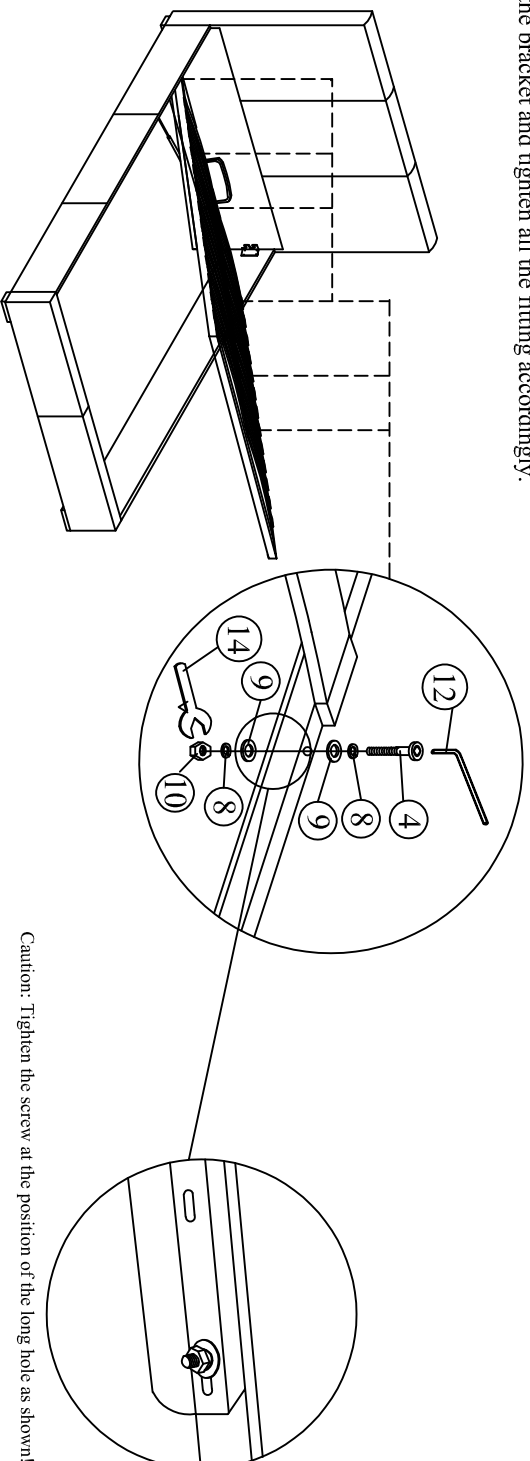
Step 11 : Attach the frame lifter to the center rail Foot by crossing over and looping it through it self.



Step 12 : Unscrew the Pre-attached hex-nut of gas spring and attach it back again as shown. Please fully tighten the nut.

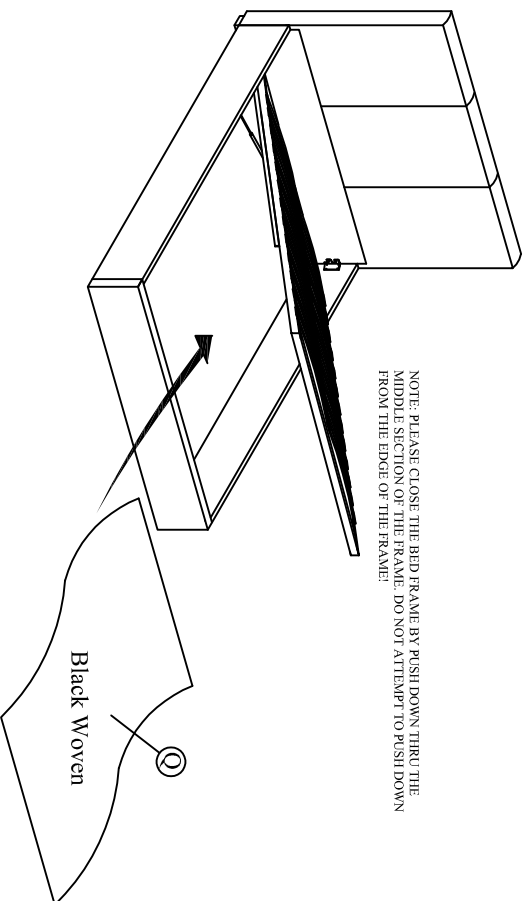


Step 13 : Assemble the main frame to the bracket and tighten all the fitting accordingly.



Caution: Tighten the screw at the position of the long hole as shown!

Step 14 : Place the black woven to the inner of the bed.



Step 15 : Assembly is complete.

