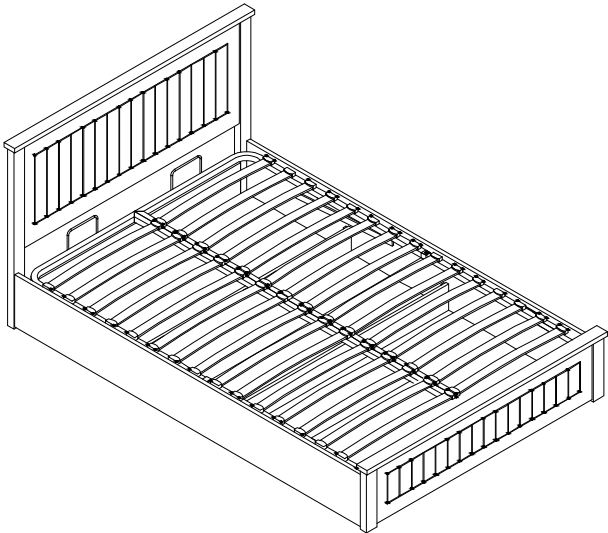


OTTOMAN BED DOUBLE AND KING SIZE



PLEASE READ this sheet prior to assembly to familiarise yourself with the various stages of construction. Carefully open the pack supplied and check the contents against the parts and fittings check list.

Do not destroy any of the packaging until you are certain that you have all the necessary parts for the assembly.

Please ensure that the packaging is disposed of in a safe environmentally friendly way.

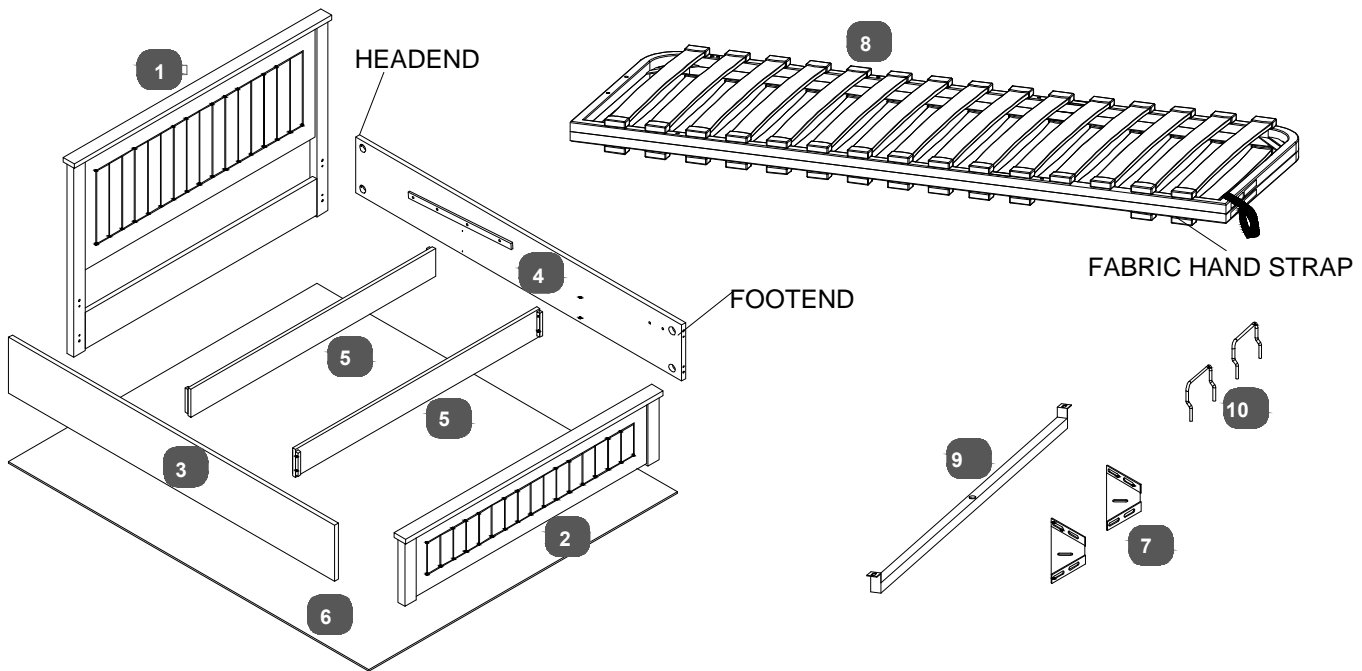
CAUTION: There are small components used in the construction of this unit. These loose items should be kept away from young children during assembly, to avoid the danger of choking.

IMPORTANT: BEFORE STARTING TO ASSEMBLE THE BED - PLEASE READ THESE INSTRUCTIONS CAREFULLY.



An instructional video of the Operation of the Ottoman Lift Up system is available via YouTube using the following address: https://youtu.be/hyq4zm7h_yU

Parts Identification



Parts Checklist

Ref.	Description	Qty	Box
1	Headboard	1	1
2	Footboard	1	3
3	Side rail - left	1	2
4	Side rail - right	1	2
5	Cross rail (wooden)	2	2
6	Fabric base cover	1	3

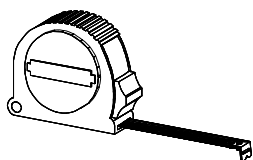
Ref.	Description	Qty	Box
7	Angled corner brackets	2	3
8	Metal slat frame	1	3
9	Cross bar	1	3
10	Mattress stoppers	2	3

Fittings Checklist

HARDWARE NEEDED FOR BED ASSEMBLY (PACK A)

Ref.	Description	Qty	Ref.	Description	Qty
A	Threaded studs (M8x80mm) for fitting side rails (3&4) to headboard & footboard (1&2)	x8	J	Spanner (for M8 nut)	x1
B	Nut for M8 bolt	x14	K	Dowel (M8 x30mm)	x8
C	Half moon spacer	x8	L	Wood screw	x8
D	Spring washer (for M8 bolts)	x36	M	Flange lock-nuts (M8) for gas-lift pistons	x2
E	Flat washer (for M8 bolts)	x34	N	Metal connection plates	x2
F	Bolts (M8x35mm)	x8	O	Gas lift mechanism	x 1 Pr
G	Bolts (M8x50mm)	x6	P	Cross bar	x1
H	Bolts (M8x20mm)	x14	Q	Angled corner brackets	x2
I	Allen key (for M8 bolt)	x1	R	Fabric hand strap	x1

Additional Tools Required



General Hints & Tips



Please retain your assembly instruction and tools provided for future use. Periodically check that all bolts are still tight.

Care & Maintenance

In the unlikely event of missing or damaged parts, please contact your retailer. Please have this guide at hand quoting the part code reference numbers shown when requesting spare or replacement parts.

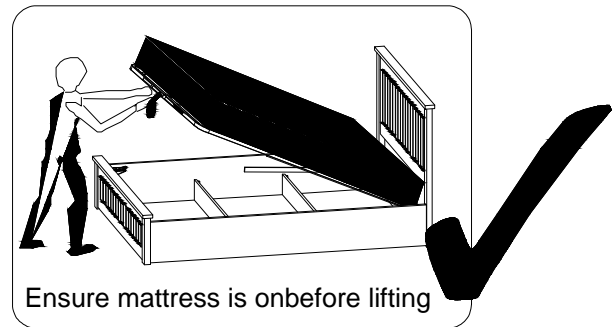
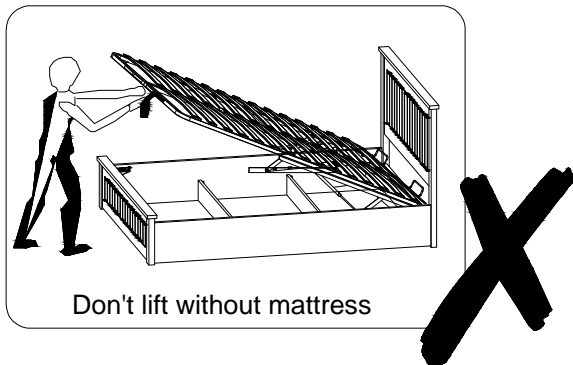


1.5 Hrs

Approximate time to assemble this product

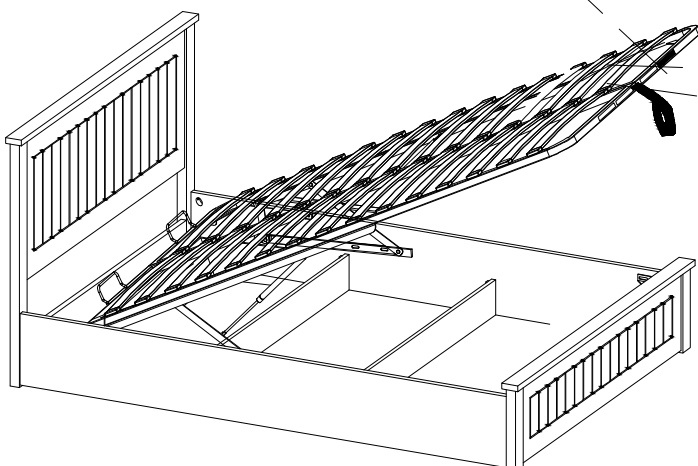
- . You must ensure that the mattress is on the bed frame before operating the lift mechanism - failure to do so could result in injury.
- . Keep hands clear of the mechanism when opening or closing the ottoman.
- . Beware of entrapment - never reach in through the mechanism to access the storage area.
- . Always ensure that the ottoman is FULLY opened before accessing the storage area.
- . Do not exceed the maximum weight as specified in the table below:

Bed	BedSize	Min Weight (kg)	Max Weight (kg)
SOFIA OTTOMAN STORAGE BED	Double	20	50
	King	20	50



- . Use caution when operating, always use the handle when lifting.
- . Note: This bed uses a pressurised mechanism.
- . To be operated by adults only .
- . Please ensure that children and pets are kept away from the bed when operating the lift mechanism.
- . Keep children and pets away from the storage area.
- . Do not overload the internal storage base.
- . Do not stand inside the internal storage area of the bed.
- . Before removing the mattress secure the frame to ensure it does not open unexpectedly.
- . Do not attempt to lie on the mattress when the ottoman is in the raised position.

SAFETY WARNING PLEASE DO NOT ALLOW CHILDREN OR PETS INSIDE THE STORAGE AREA.	SAFETY WARNING PLEASE BE CAREFUL WHEN LIFTING. ONLY LIFT WITH MATTRESS ON TOP. TO BE OPERATED BY ADULTS ONLY.
--	---



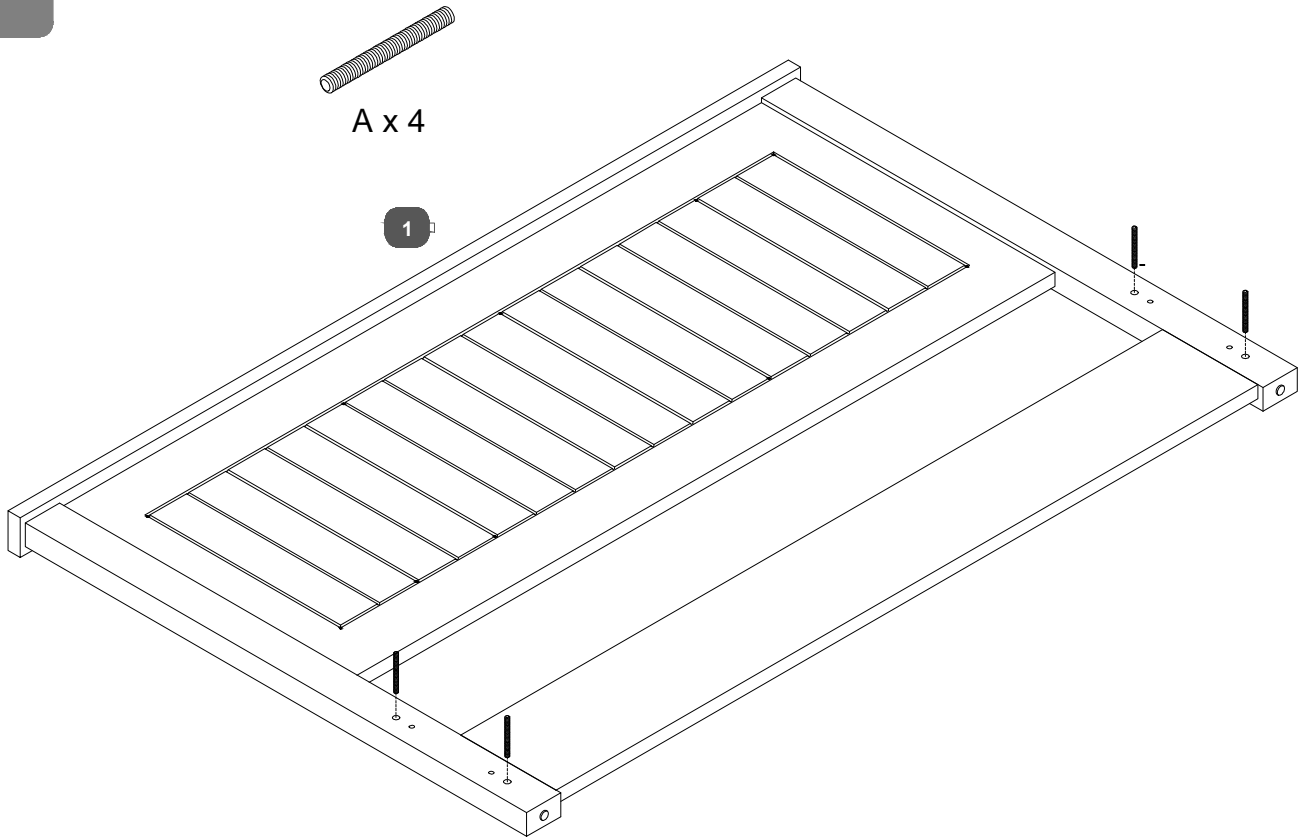
WARNING: ONLY USE THE HANDLE TO LIFT & LOWER THE BED FRAME TO AVOID TRAPPING FINGERS!

TO AVOID ACCIDENTS TO ACCESS THE STORAGE AREA THE OTTOMAN FRAME MUST BE FULLY OPENED AND THEN FULLY CLOSED AFTERWARDS

Bed Assembly - Use Pack 'A'

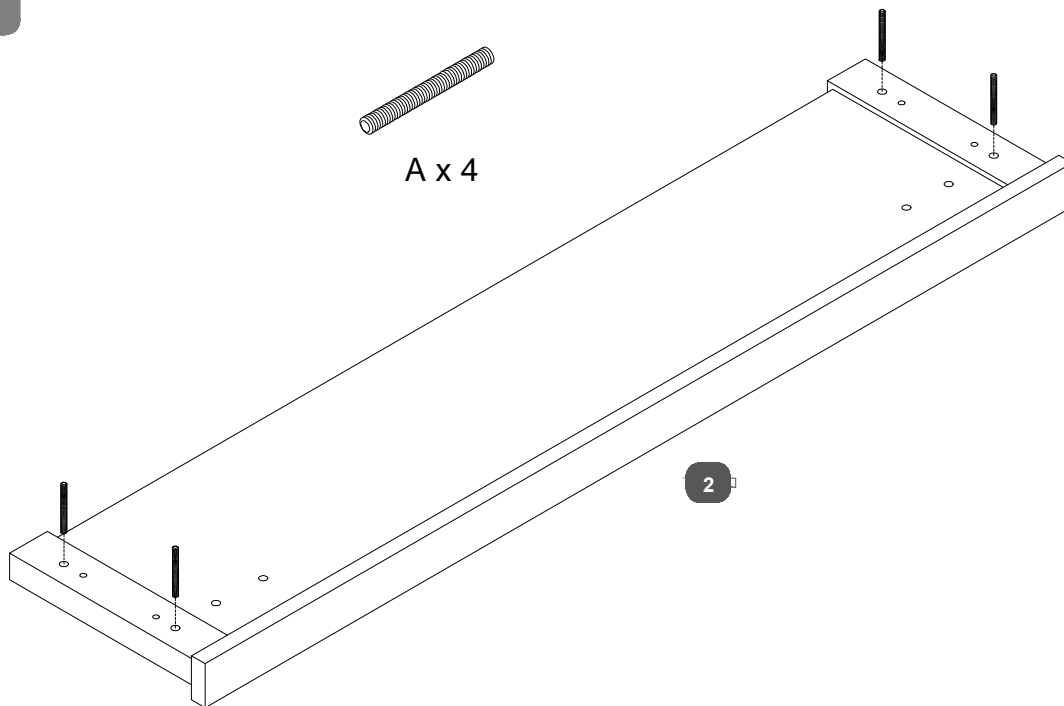
Stage

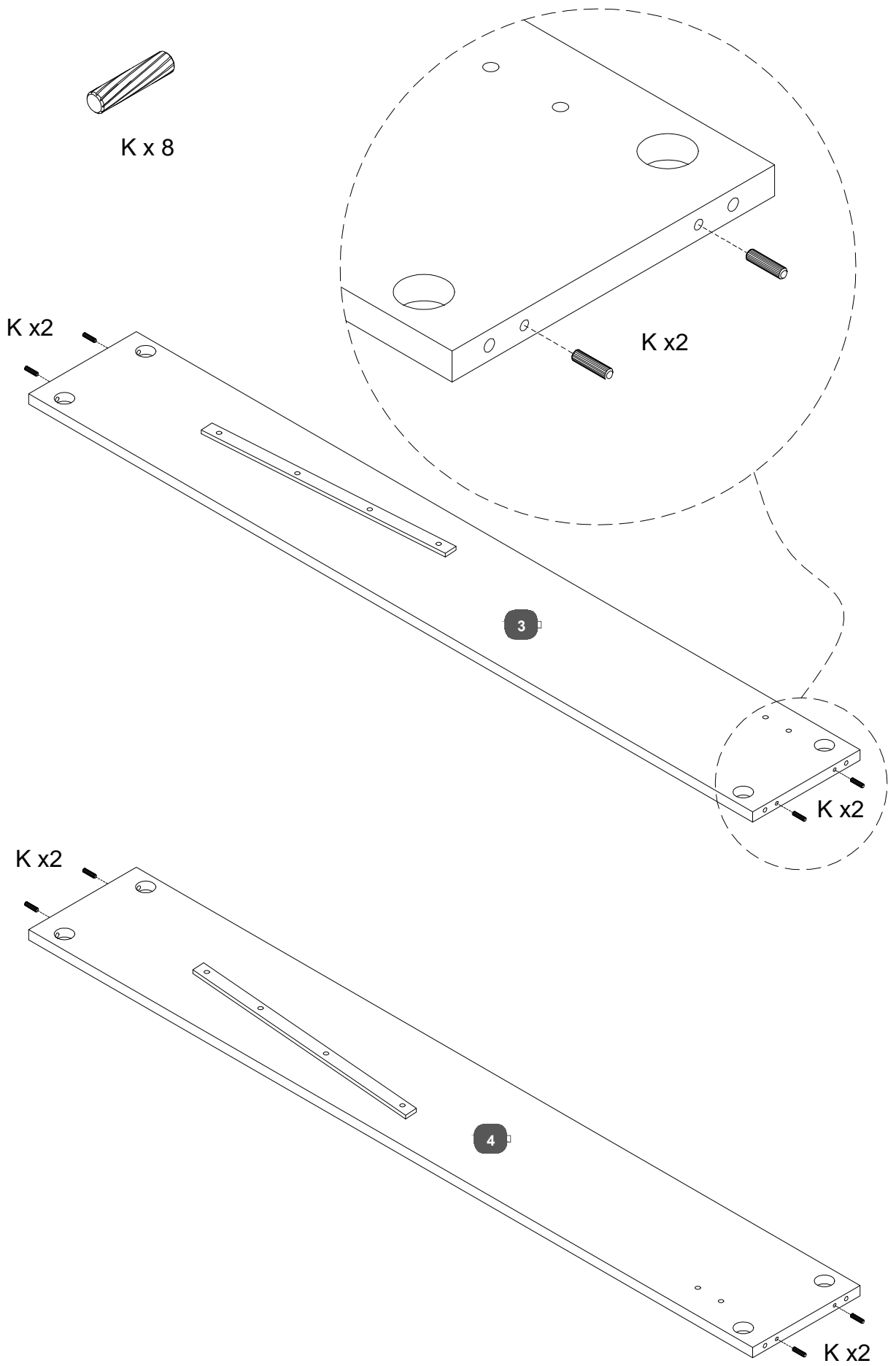
1



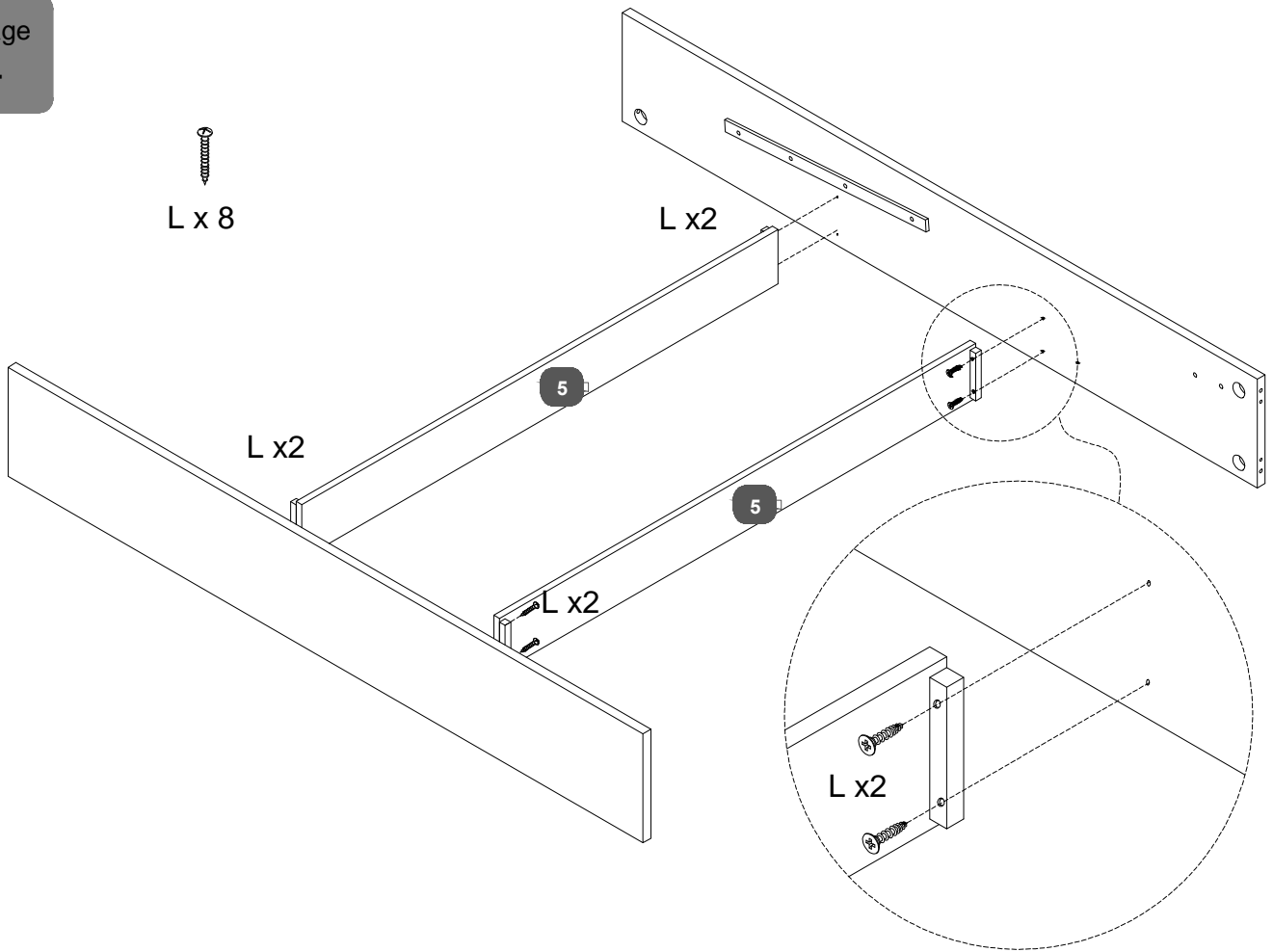
Stage

2


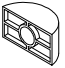

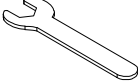


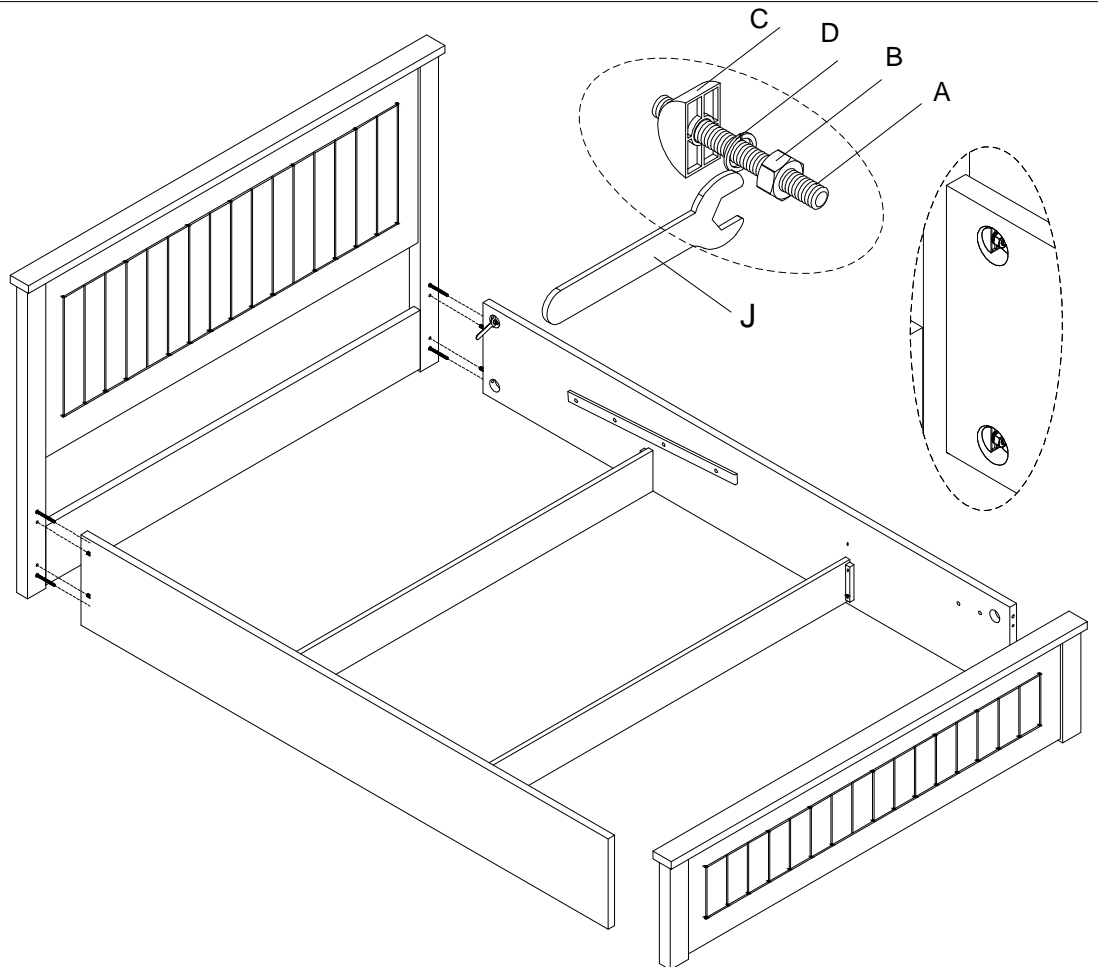


Stage
4



Stage
5

-  B x 8
-  C x 8
-  D x 8
-  J x 1



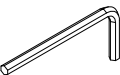
Stage

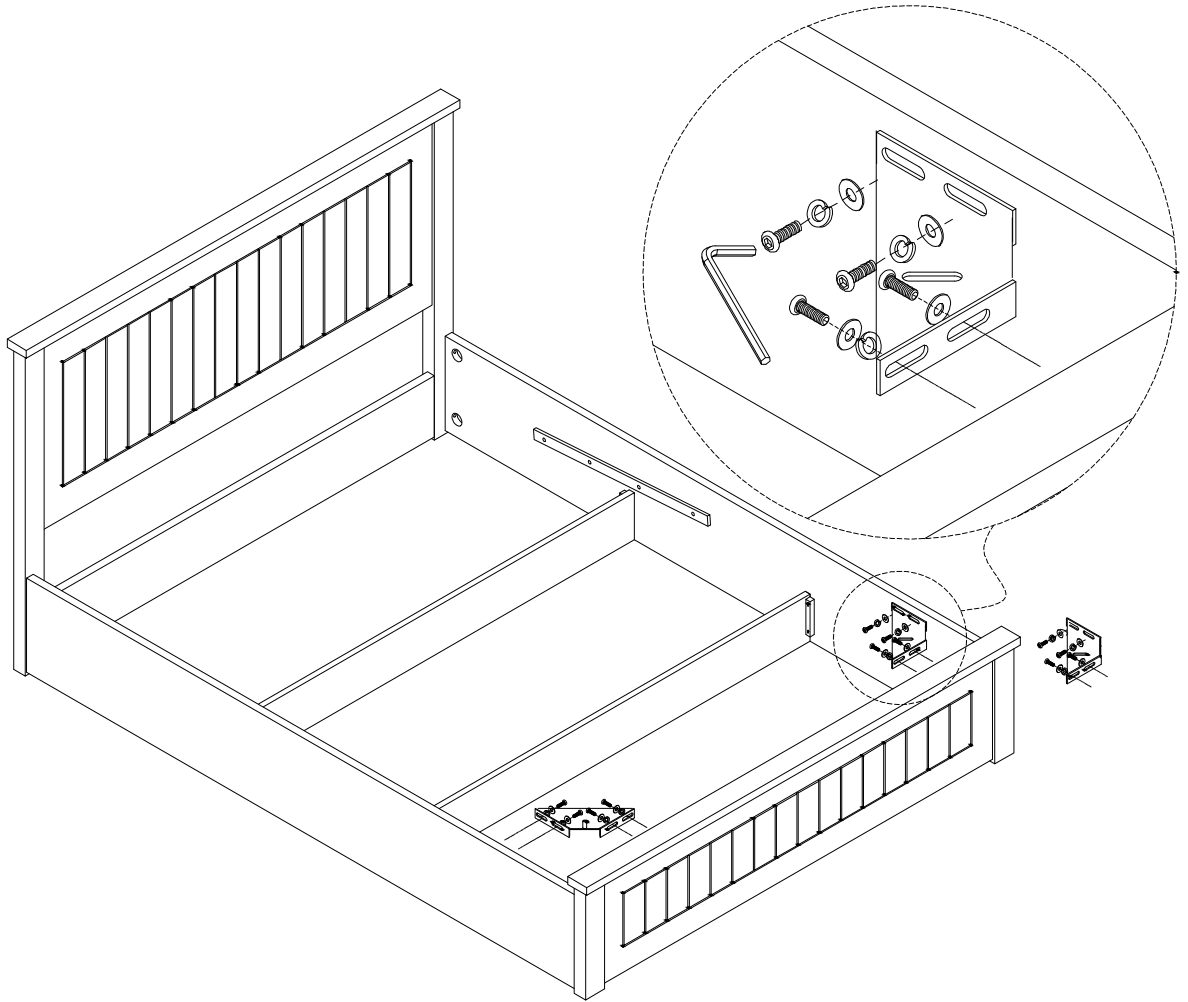
6


H x 8


E x 8

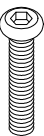

D x 8


I x 1

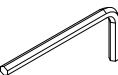


Stage

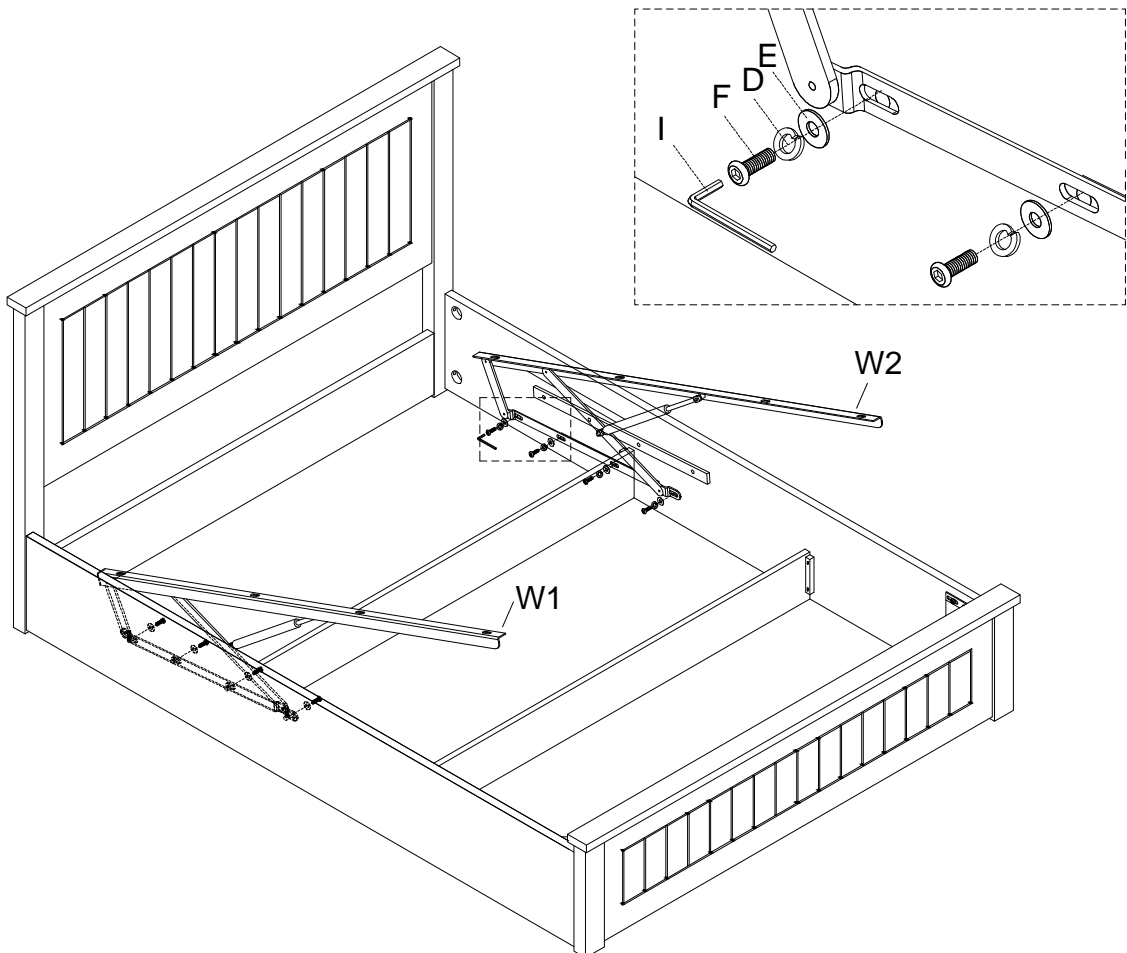
7


F x 8

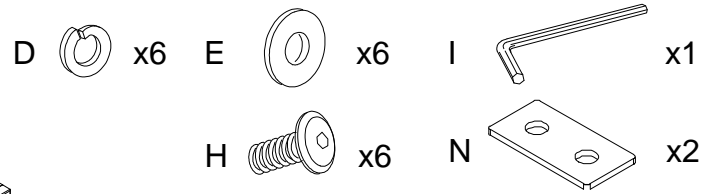

E x 8


I x 1


D x 8

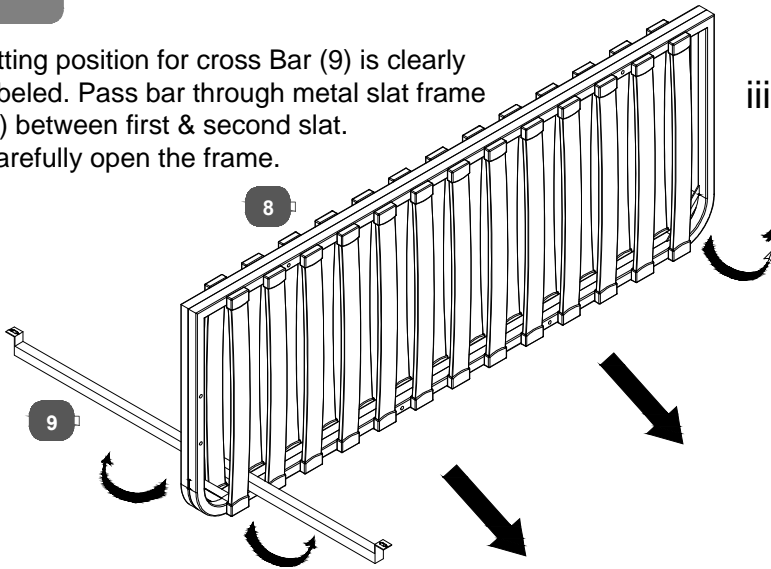


Bed Assembly - Use Pack 'B'

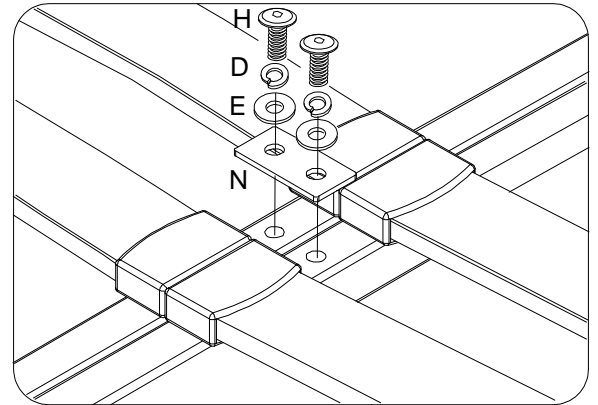


Stage 5

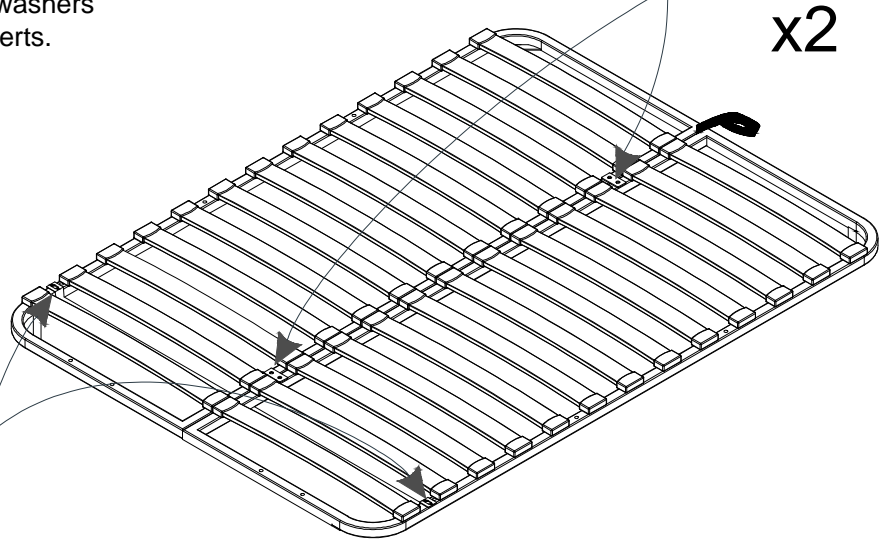
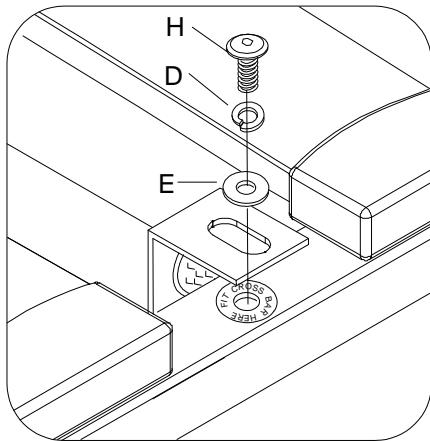
i) Fitting position for cross Bar (9) is clearly labeled. Pass bar through metal slat frame (8) between first & second slat. Carefully open the frame.



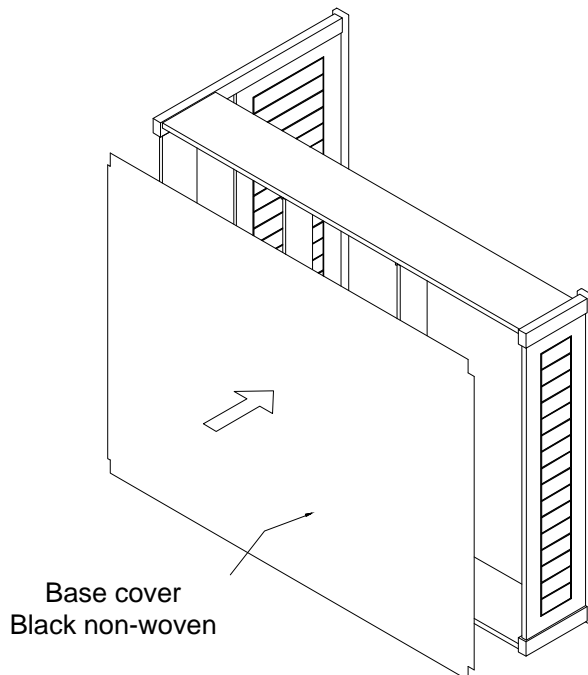
iii) Using four sets of bolts (H) spring washer (D) & flat washers (E) fit the metal connection plates (N) into the threaded inserts on top of the frame. Using Allen key (I), tighten all six bolts 100%.







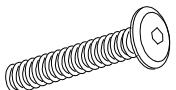

ii) Ease the plates on top of the cross bar (9) onto top of the slat frame sides and through the plates, loosely screw two sets of bolts (H), spring washers (D) & flat washers (E) into the threaded inserts. Do not tighten yet.

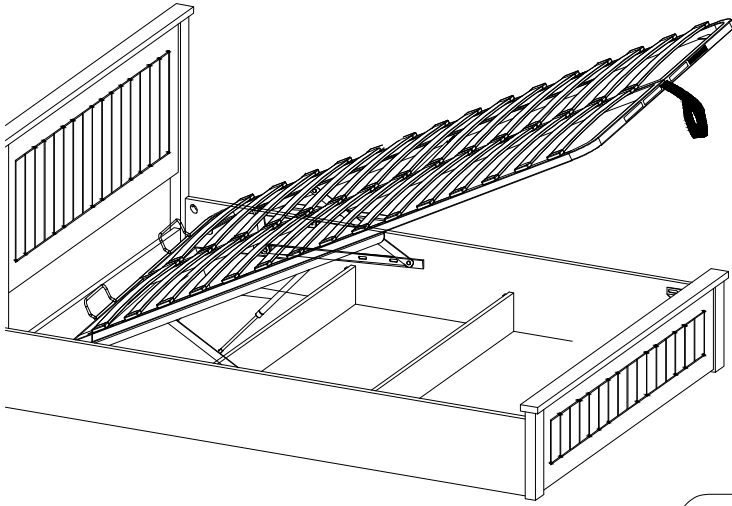


Stage 6



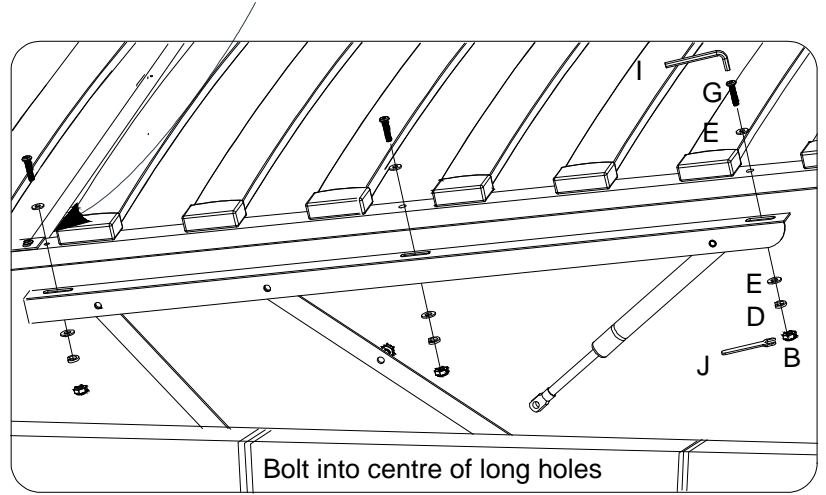
Stage
7

- | | | | | | | | | |
|---|--|----|---|---|-----|---|---|----|
| D |  | x6 | E |  | x12 | I |  | x1 |
| B |  | x6 | G |  | x6 | J |  | x1 |



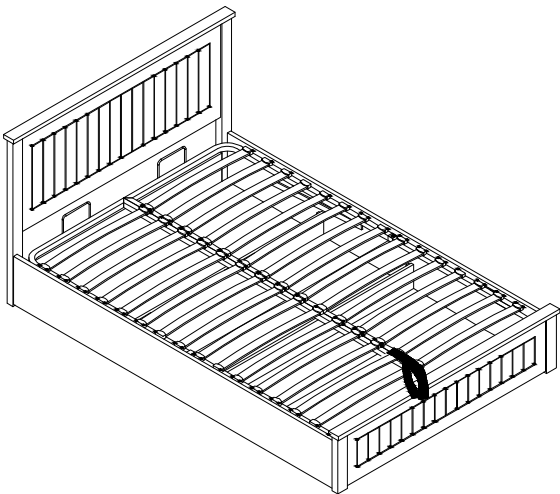
i) With help from your assistant, lift the slat frame (8) onto slat frame support bars aligning first set of holes on slat frame with first set of holes in support bars (nearest the headboard).

ii) Using three bolt sets on each side (G), (E), (E), (D) & (B) fix slat frame to the support bars but do not tighten 100% yet.

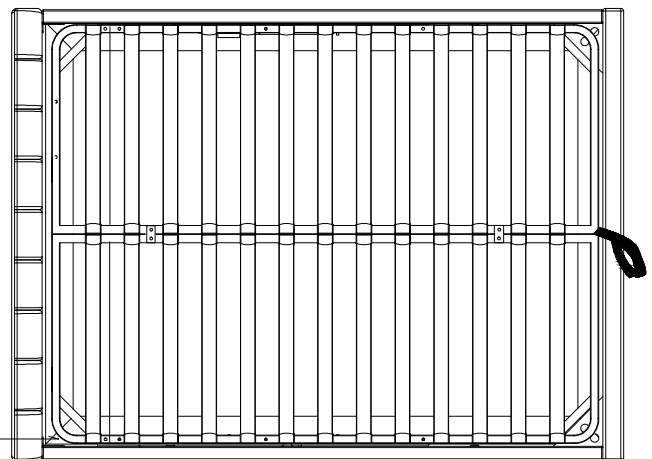
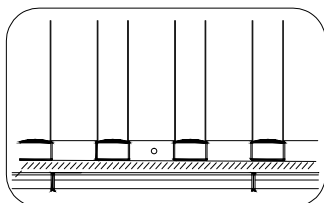


Stage
8

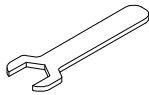
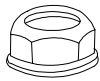
- | | | | | | |
|---|--|----|---|---|----|
| I |  | x1 | J |  | x1 |
|---|--|----|---|---|----|

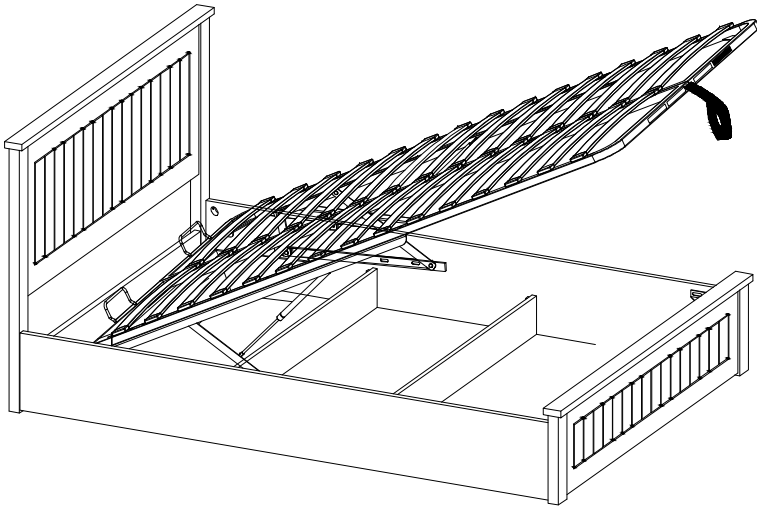


Carefully lay frame down making sure there is an even gap all round as in the sketch then hold the frame securely and tighten all six bolt sets 100% using spanner (J) & Allen key (I).



Stage
9

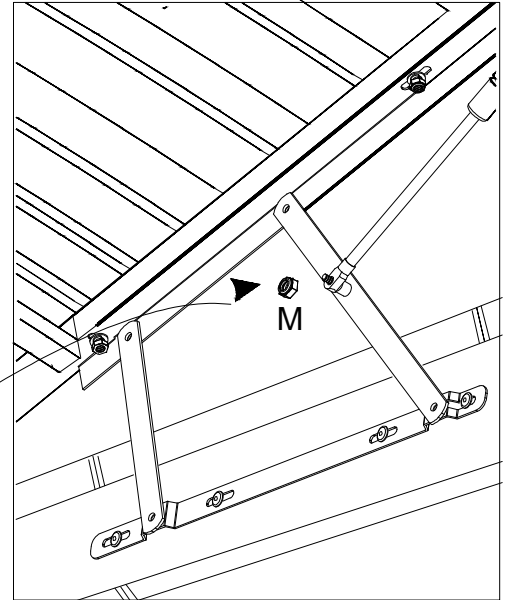
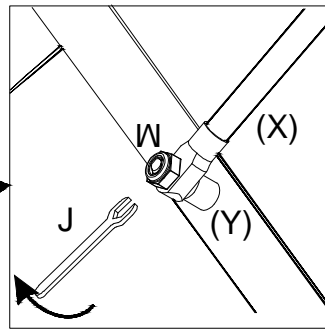
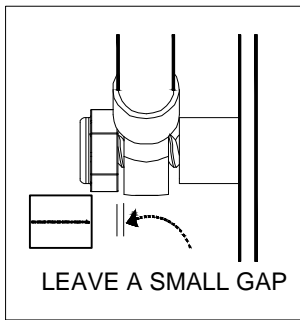
J  x1 M  x2



During this next step, the assistant should hold up the slat frame.

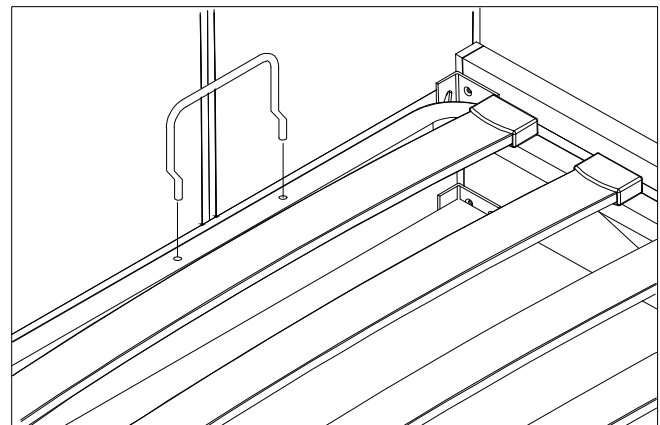
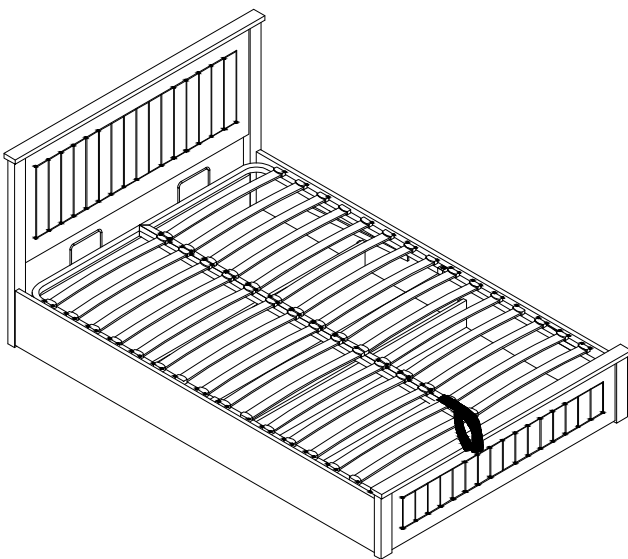
To the hinges on side rails (3&4), slide gas-lift piston stems (X) onto the axles (Y) then fit the flange lock-nuts (M).

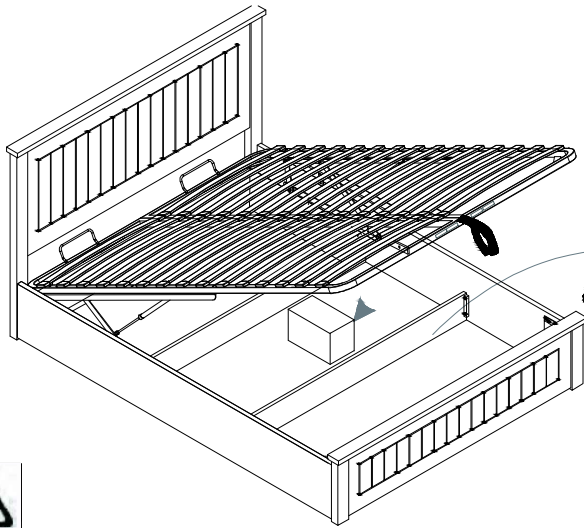
Do not over-tighten, a small gap must be left so stems can swivel freely, this is important, see sketch below left.



Stage
10

Push x2 mattress stoppers (10) into the holes in the metal frame, they should go all the way through the upper & lower metal sections.





Note: Be very careful what you store under the bed - the top of an item, like a suitcase or a box, must not touch the slats or they may be damaged.
Maximum storage height is 27cm.



- 1 Before lifting the slat frame, place your mattress on top of the slats as without a mattress in place the speed of movement is quick and may cause injury so be careful.
- 2 Carefully lower the frame with the hand-strap ensuring the frame sides are aligned with the side rails; there should be an even gap on each side, If not aligned, check bed is still square and if it is, but gaps are still not even, re-align the slat frame,.
- 3 Depending on the weight of the mattress, the rising speed will vary so be careful until you get used to the speed. Always use the strap to lift or lower the frame - keep fingers well away from the moving parts.
- 4 To help prevent any accidental entrapment, please make certain the ottoman is lifted right to the top of it's travel before putting in or retrieving an item from the storage area.
- 5 When finished, slowly lower the frame back to the lower rest position using the hand strap only.

When fully assembled and with the mattress in position, please raise & lower the ottoman 4/5 times to ensure the gas pistons are fully lubricated.

Technical Specifications

Overall Dimensions (LWH cm)

Double: 202x 144.5 x 105
King: 212 x 159.5 x 105

Internal Dimensions (LWH cm)

Double: 192 x 137.5 x 270
King: 203 x 152.5 x 270

Distance between slats (cm)

Double: 7.2
King: 7.2

Ottoman Piston Rating

Double & King: 750N

Slat Dimensions (LWH cm)

Double: 66.3 x 5.3 x 0.9
King: 73.8 x 5.3 x 0.9

