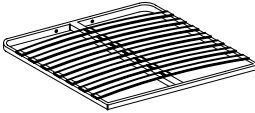
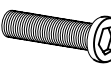
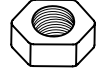


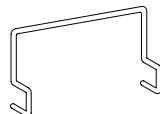


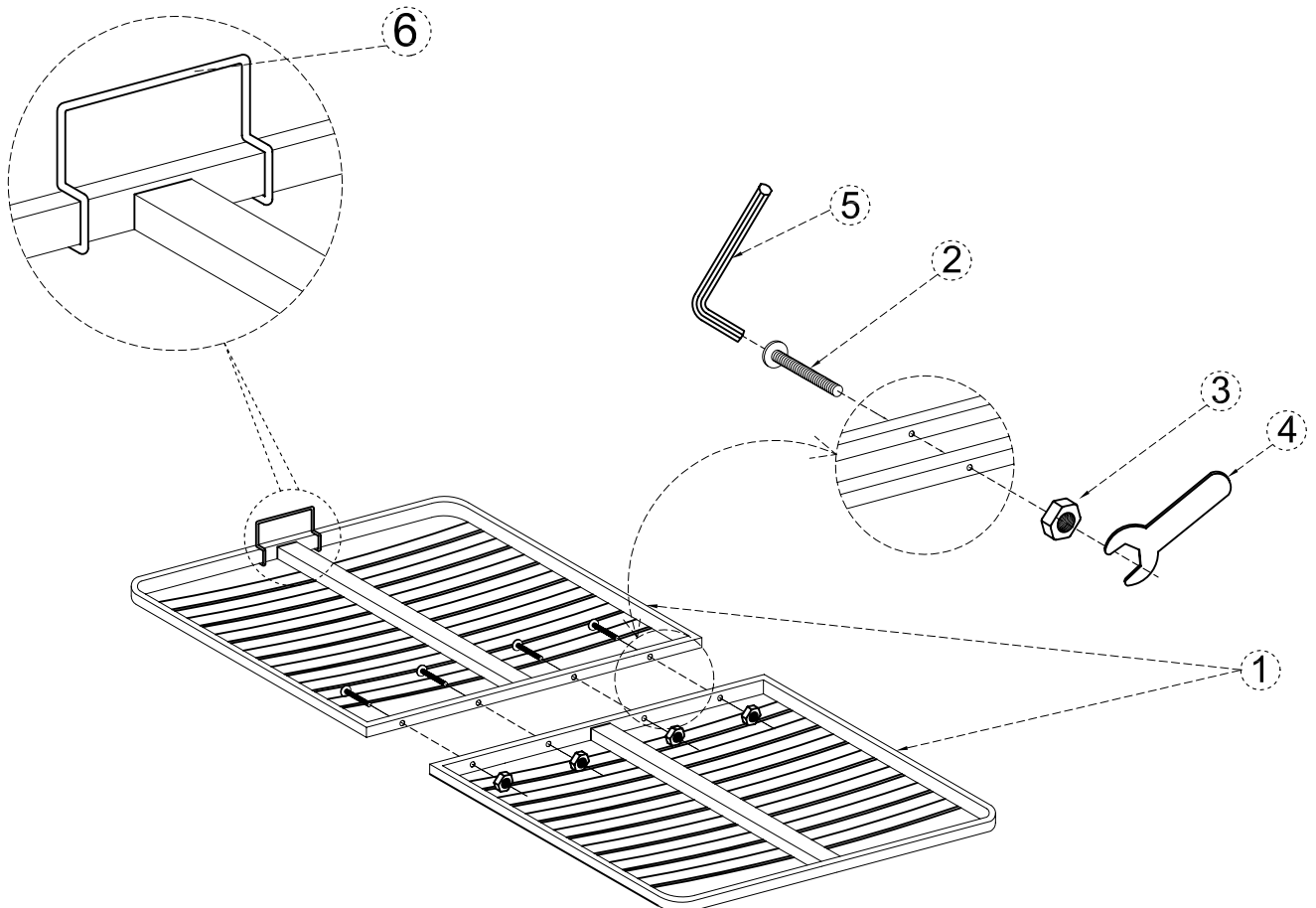
ASSEMBLY INSTRUCTIONS -KING QB-8657-OT

ASSEMBLY PARTS

- 1.Slat Frame----- 2pcs
- 2.Bolts----- 4pcs
- 3.Nuts----- 4pcs
- 4.Spanner----- 1pc
- 5.Allen Key----- 1pc
- 6.Mattress holder----- 1pc

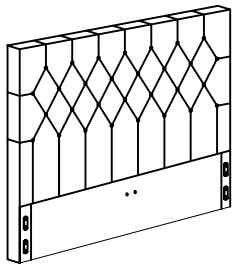
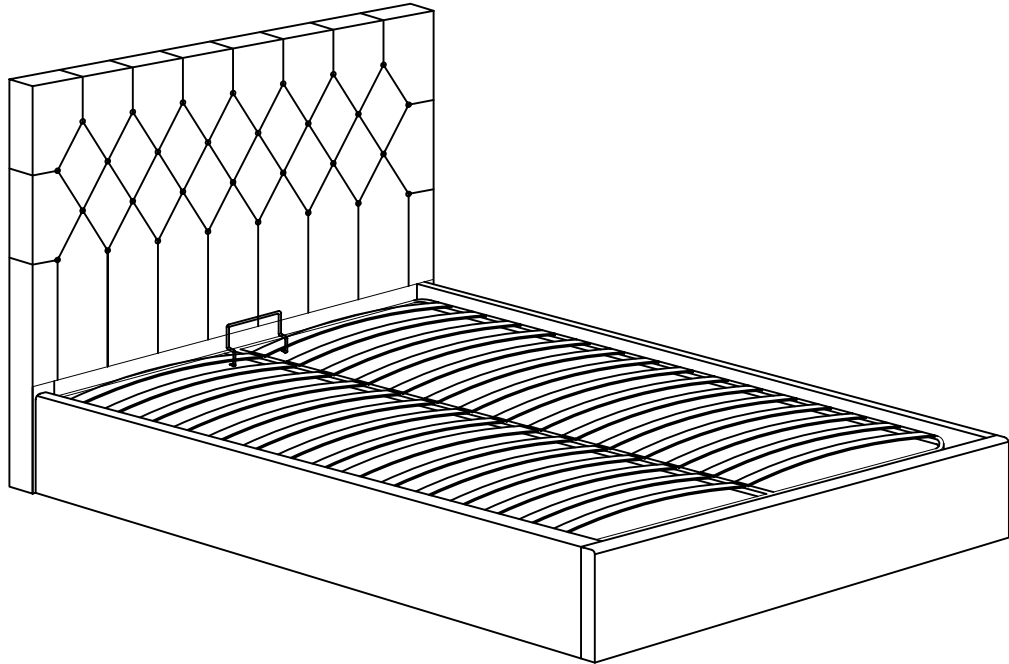
	 (ø8*80)	 (ø8)
①. x 2pcs	②. x 4pcs	③. x 4pcs
	 (m5)	
④. x 1pc	⑤. x 1pc	⑥. x 1 pc

Place bed slats in reverse position, tighten both slats using bolts and nuts.

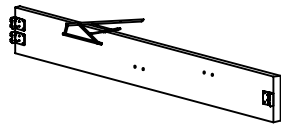


ASSEMBLY INSTRUCTIONS-KING

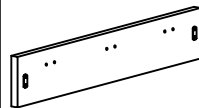
QB-8657-OT



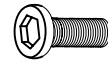
① Headboard=1pc



② Side Rails=2pcs



③ Footboard=1pc



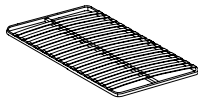
④ Bolts(M8*18)
=12pcs



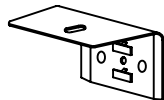
⑤ Allen Key
=1pc



⑥ Baseboards
=4pcs



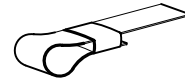
⑦ Slat Frame
=1pc



⑧ Brackets=8pcs



⑨ Bolts(M8*25)
=16pcs



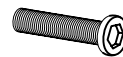
⑩ Handle=1pc



⑪ Stick Felts=6pcs



⑫ Nuts(Ø8)
=8pcs



⑬ Bolts(Ø8*45)
=8pcs



⑭ Spanner=1pc



⑮ Allen Key
=1pc

