

ASSEMBLY INSTRUCTION FOR 3-3388-KD-WSR-BW 75"

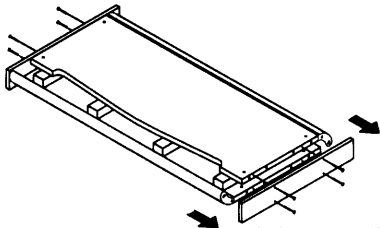
- Note:
- Read instructions carefully.
 - Carefully identify each component especially those that are similar.
 - Separate and identify each component from the hardware pack and rest each one in its proper location before fastening.
 - Do not over tighten the screws or bolts when assembling.



TOOL REQUIRED

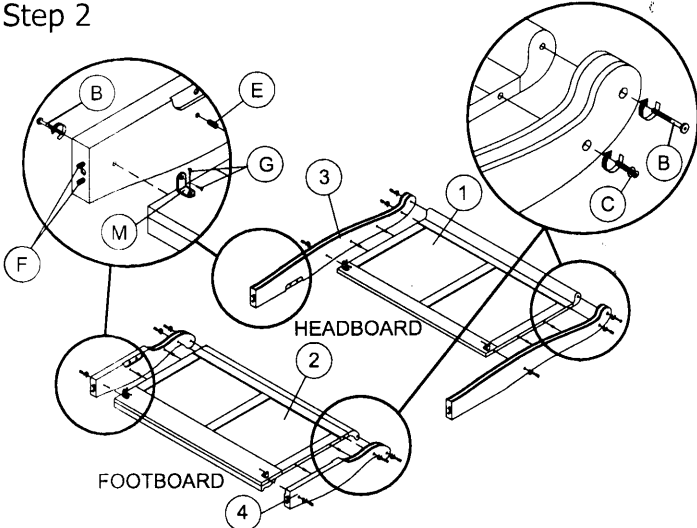


Step 1



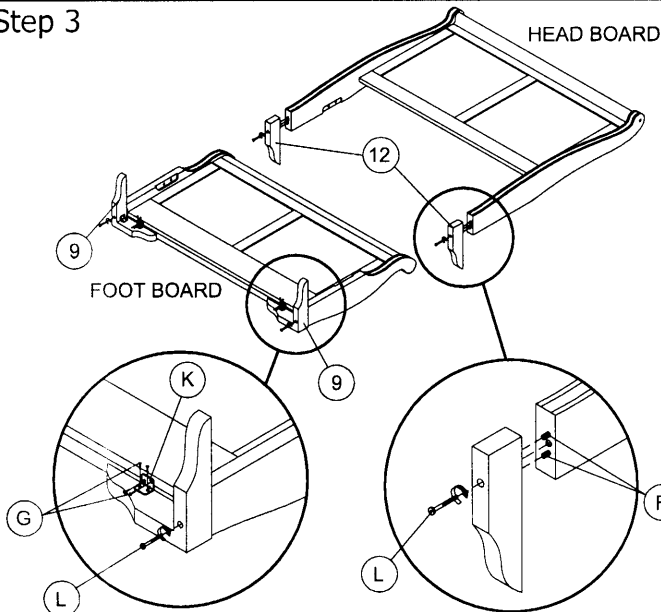
Move out the packing method by used the JCBC Bolt as shown.

Step 2



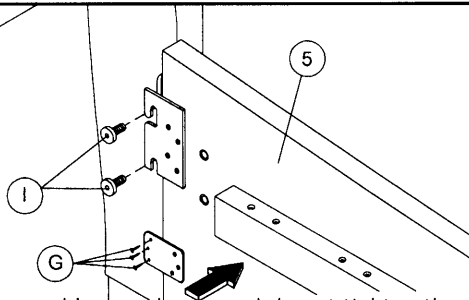
Fix all headboard and footboard component with hardware as shown.

Step 3



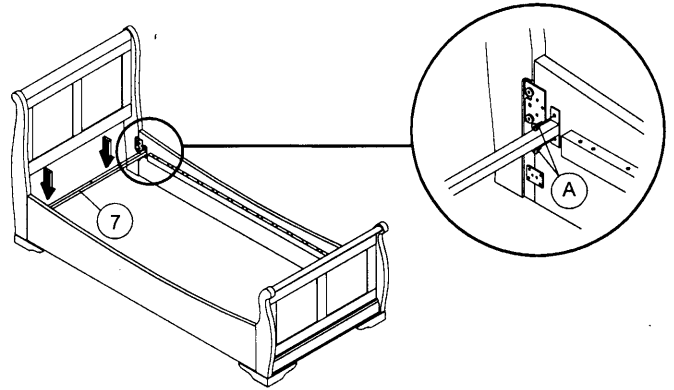
Fix bottom apron to the headboard wood leg and footboard wood leg with hardware as shown.

Step 4



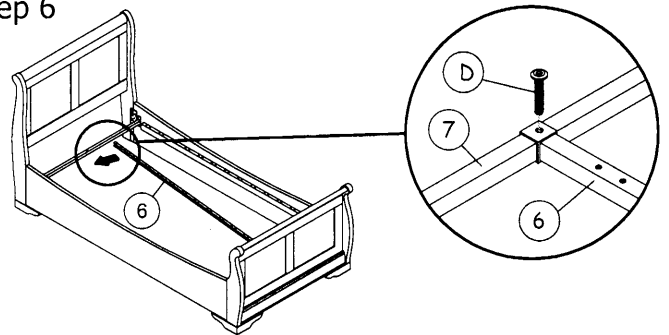
Fix the side rail to the wood leg as shown and do not tighten the bolt yet.

Step 5



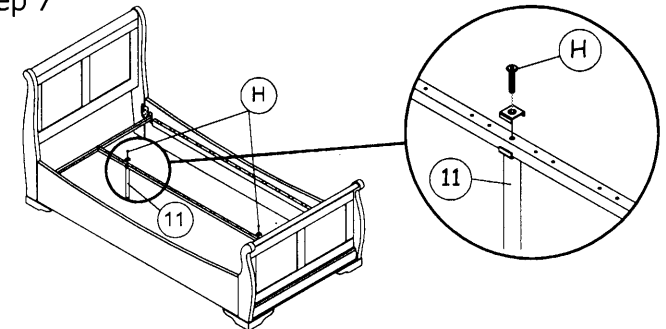
Put in cross bars and fix in bolt 'A' as shown in diagram and tighten all bolts.

Step 6



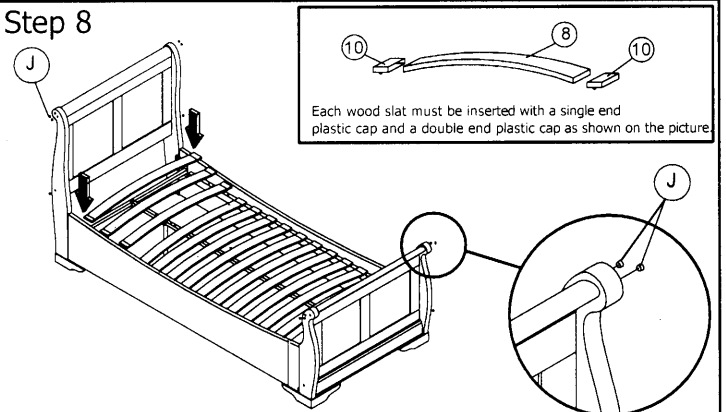
Mouth one end of center bar to side cross bar and side setting the other end to the other side cross bar as shown.

Step 7



Fix in bed support.

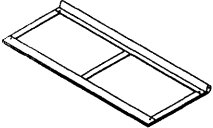

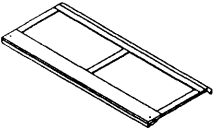
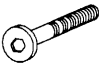
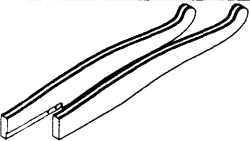
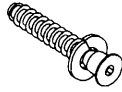
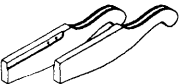

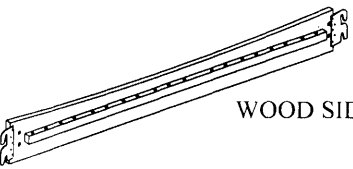

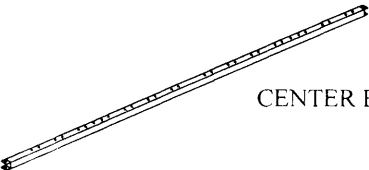
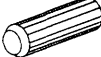
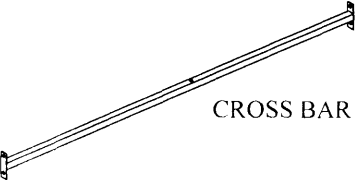

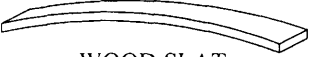
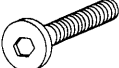
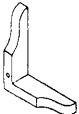

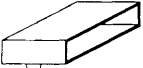

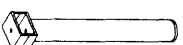

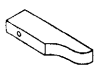




Step 8



Once both wood slats have been inserted with the plastic caps, fix it on the wood side rails and center bar by pressing it accordingly to the default holes. Ensure the plastic cap's pin is aimed to the hole. At last fix wood button 'J'.

Please follow our Assembly Instruction procedure for easier assemble.

PARTS & HARDWARE LIST FOR 3-3388-KD-WSR-BW 75"

NO.	PART	QTY.	NO.	HARDWARE	QTY.
1	 HEADBOARD PANEL	1 pc	A	 M6x15mm JCBC BOLT	8 pcs
2	 FOOTBOARD PANEL	1 pc	B	 M6x50mm JCBC BOLT	8 pcs
3	 HEADBOARD WOOD LEG - L/R	2 pcs	C	 SCREW c/w SPRING WASHER M7 x 50mm	4 pcs
4	 FOOTBOARD WOOD LEG - L/R	2 pcs	D	 M6x30mm JCBC BOLT	2 pcs
5	 WOOD SIDE RAIL	2 pcs	E	 M8 x 30mm WOOD DOWEL	8 pcs
6	 CENTER BAR	1 pc	F	 M10 x 30mm WOOD DOWEL	8 pcs
7	 CROSS BAR	2 pcs	G	 CHIPBOARD SCREW #4 x 16mm	28 pcs
8	 WOOD SLAT	12 pcs	H	 M8x40mm JCBC BOLT (assembled)	2 pcs
9	 FOOTBOARD APRON	2 pcs	I	 M8x20mm JCBC BOLT	8 pcs
10	 SINGLE END PLASTIC CAP	24 pcs	J	 WOOD BUTTON	12 pcs
11	 SUPPORT LEG	2 pcs	K	 L-BRACKET	2 pcs
12	 HEADBOARD APRON	2 pcs	L	 M6x80mm JCBC BOLT	4 pcs
			M	 L-BRACKET (HW-KH-L-14 x 20)	4 pcs
			N	 M6 - ALLEN KEY	1 pc
			O	 M8 - ALLEN KEY	1 pc