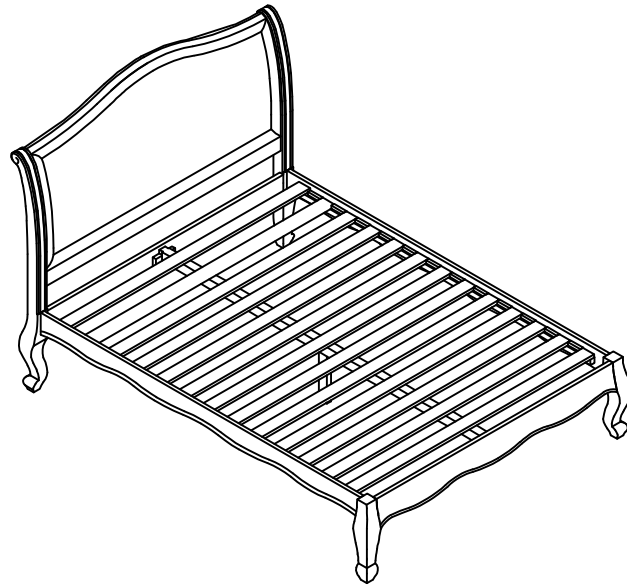
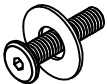


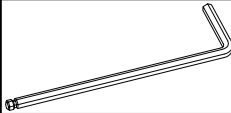
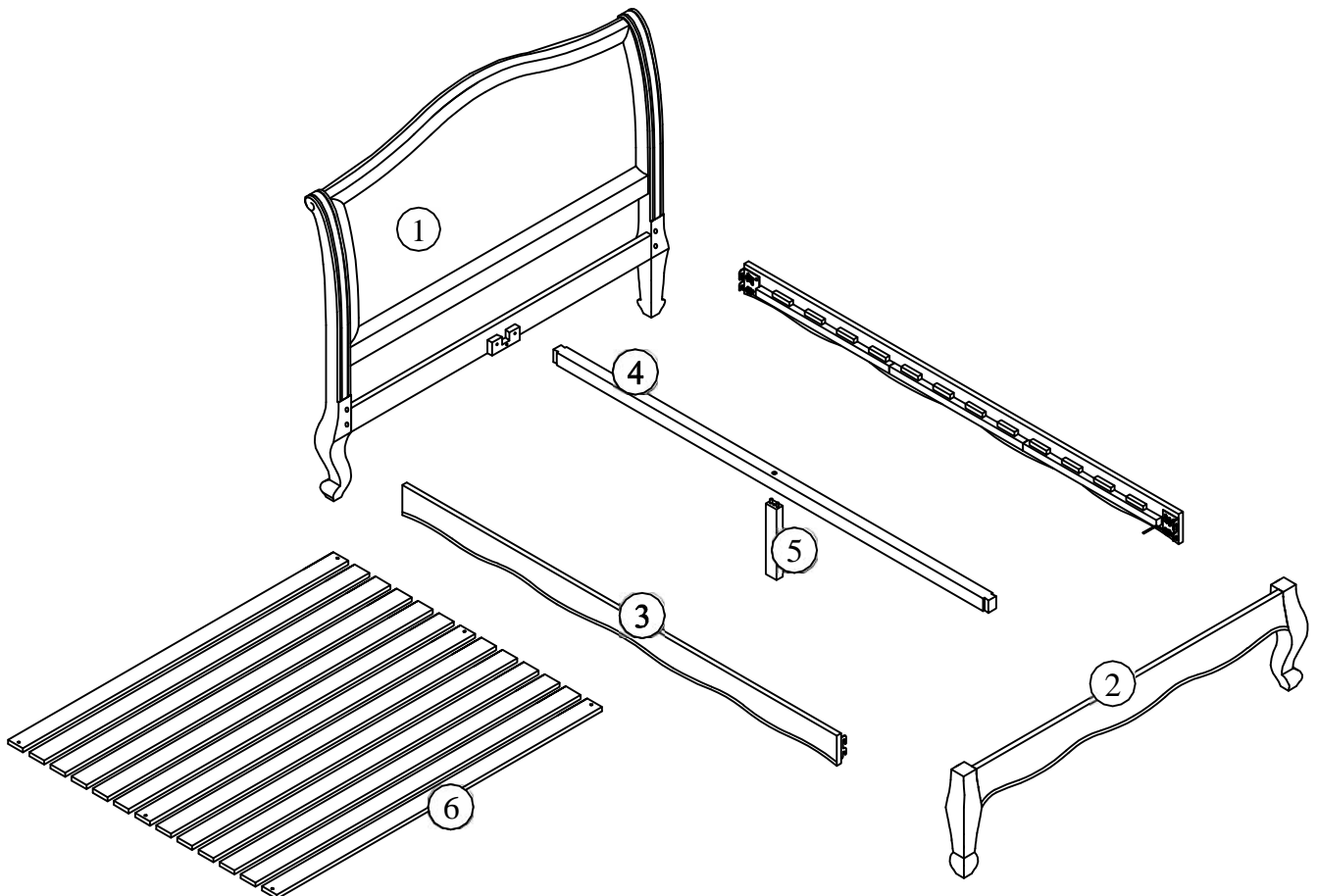





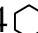
ASSEMBLY INSTRUCTION EMILY 135/150/180 LOW FOOT BED

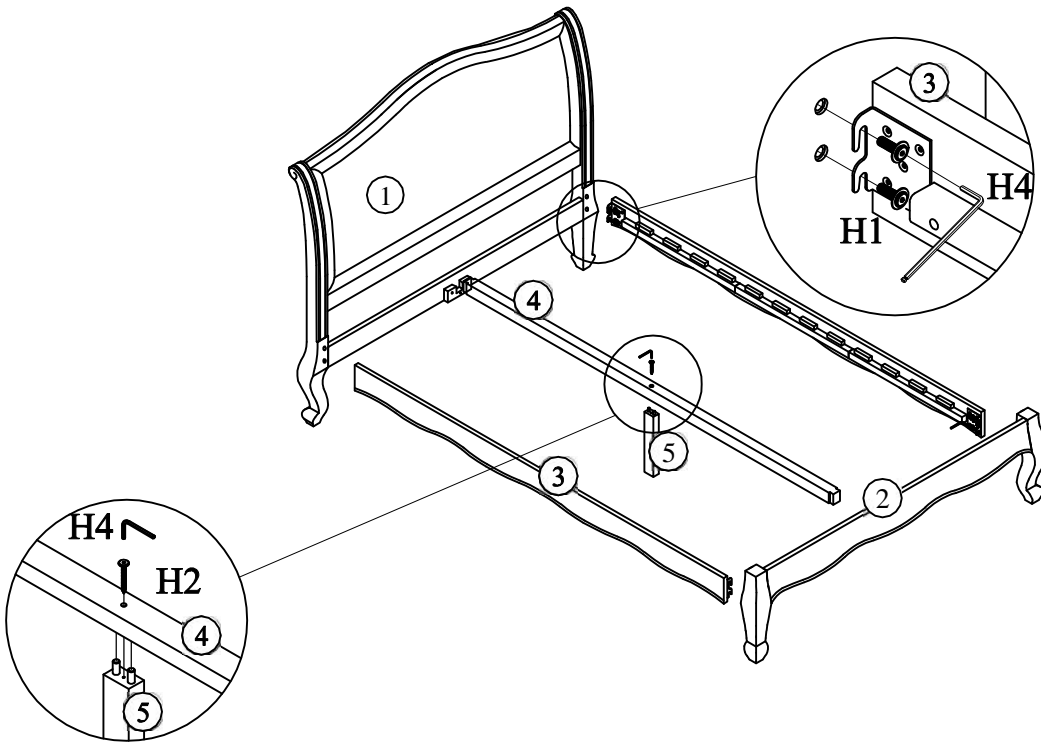


	H 1	8 PCS Ø8 x 20		H 3	6 PCS Ø4 x 25
	H 2	1 PC Ø6 x 50		H 5	1 PC Ø 4

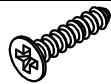


Step 1:

		
H4  4	H1 x 8	H2 x 1



Step 2:


H3 x 6

