

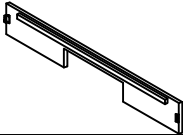



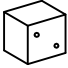



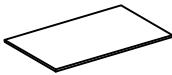


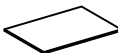
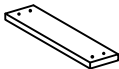



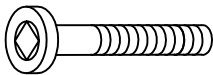

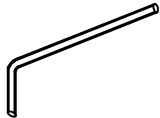
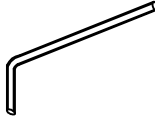
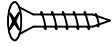
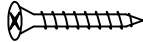
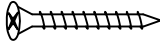
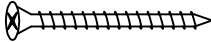
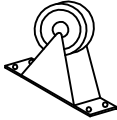
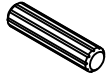


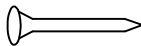
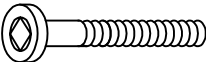





PARTS LIST

<p>Ⓐ HEADBOARD (1 PC)</p> 	<p>Ⓑ FOOTBOARD (1 PC)</p> 	<p>Ⓒ SIDE RAIL (2 PCS)</p> 	<p>Ⓓ CENTRAL RAIL (1 PC)</p> 	<p>Ⓔ SUPPORT LEG (2 PCS)</p> 	<p>Ⓕ SIDE RAIL (4PCS) SUPPORT</p> 
<p>Ⓖ LEGS (4 PCS)</p> 	<p>Ⓗ FOOTBOARD (1 PC) FRONT PANEL (WITH LABEL 1)</p> 	<p>Ⓘ FOOTBOARD (1 PC) BACK PANEL (WITH LABEL 2)</p> 	<p>Ⓝ FOOTBOARD & SIDE RAIL SIDE PANEL (6 PCS) (WITH LABEL 3)</p> 	<p>Ⓚ FOOTBOARD (1 PC) BOTTOM PANEL (WITH LABEL 4)</p> 	<p>Ⓛ SIDE RAIL (2 PCS) FRONT PANEL (WITH LABEL 5)</p> 
<p>Ⓜ SIDE RAIL (2 PCS) BACK PANEL (WITH LABEL 6)</p> 	<p>Ⓝ SIDE RAIL (2 PCS) BOTTOM PANEL (WITH LABEL 7)</p> 	<p>Ⓞ BOTTOM PANEL (7 PCS) BIG SUPPORT (WITH LABEL 8)</p> 	<p>Ⓟ BOTTOM PANEL (4 PCS) SMALL SUPPORT (WITH LABEL 9)</p> 	<p>Ⓠ LVL SLAT (28 PCS)</p> 	<p>Ⓡ SIDE WING (2 PCS)</p> 

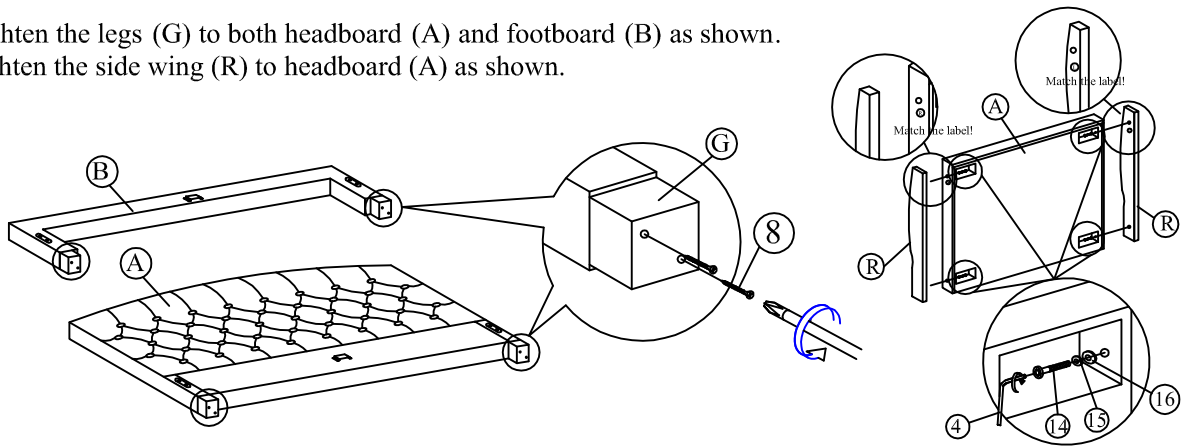
HARDWARE LIST

<p>① JCBC M6 X 40mm(2 PCS)</p> 	<p>② Adjuster 35mm (2 PCS)</p> 	<p>③ ALLEN KEY M4 X 65mm (1 PC)</p> 	<p>④ ALLEN KEY M4 X 70mm (1 PC)</p> 	<p>⑤ CSK M3.5 x 16mm (56 PCS)</p> 
<p>⑥ CSK M4 x 25mm (8 PCS)</p> 	<p>⑦ CSK M4 x 32mm (36 PCS)</p> 	<p>⑧ CSK M4 x 50mm (32 PCS)</p> 	<p>⑨ ROLLER (14 PCS)</p> 	<p>⑩ WOOD DOWEL 20MM (8 PCS)</p> 
<p>⑪ Middle Holder (14 PCS)</p> 	<p>⑫ End Holder (28 PCS)</p> 	<p>⑬ Power Nail 6/8 (24 PCS)</p> 	<p>⑭ JCBC M6 X 50mm(4 PCS)</p> 	<p>⑮ Spring Washers (4 PCS)</p> 
<p>⑯ Flat Washers (4 PCS)</p> 	<p>⑰ Metal Stopper (6 PCS)</p> 			

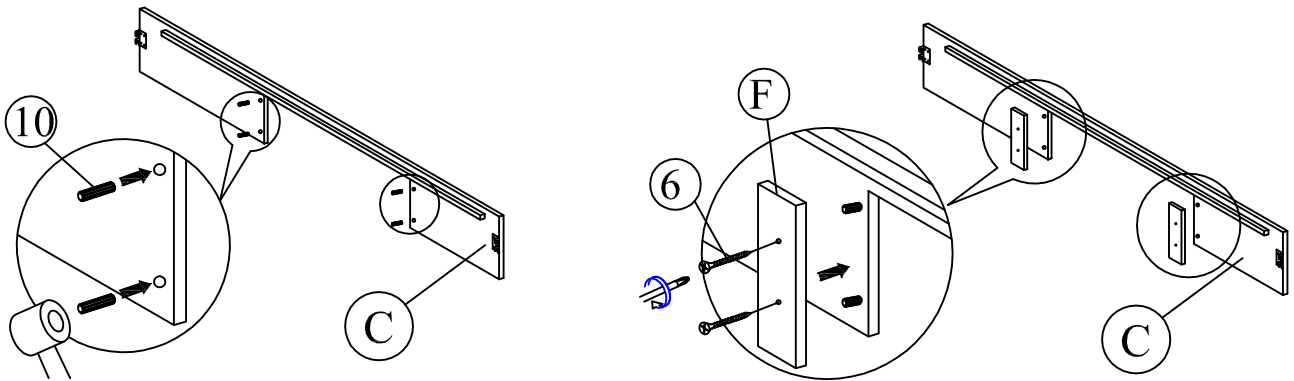
ASSEMBLY INSTRUCTIONS

CF 8949-C 5'

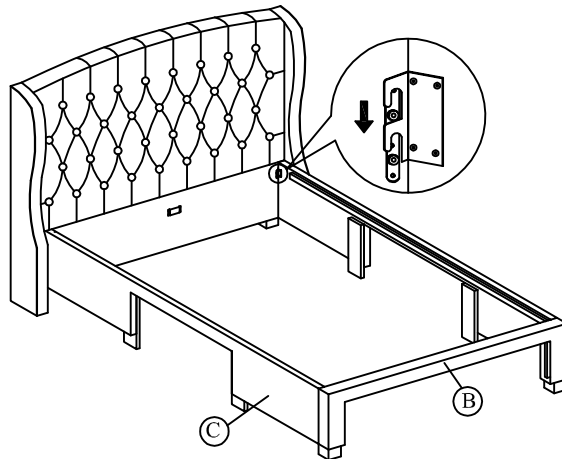
Step 1 : Tighten the legs (G) to both headboard (A) and footboard (B) as shown.
Tighten the side wing (R) to headboard (A) as shown.



Step 2 : Attach wood dowel (10) to side rail (C). Tighten the side rail support (F) to the side rail (C) with screws (6) using screw driver (not included).



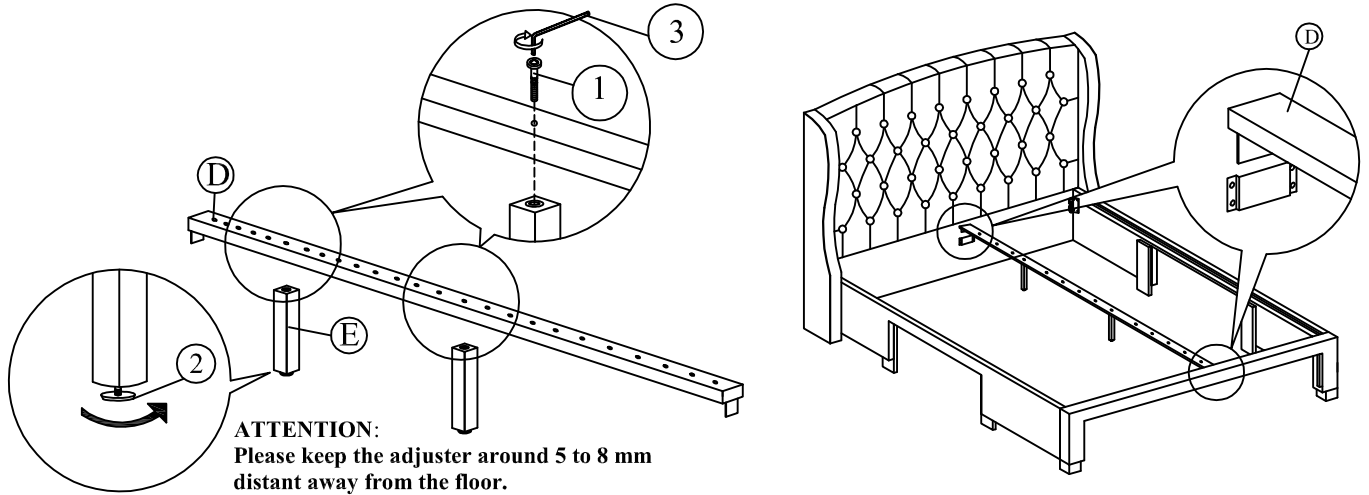
Step 3 : Attach side rail (C) to headboard (A) and footboard (B) by pushing the bracket down to fit it.



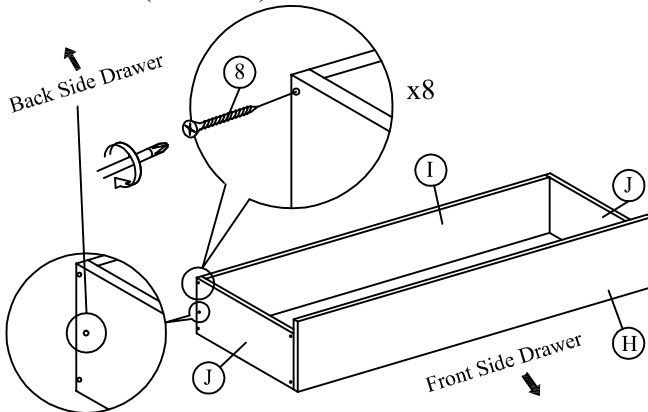
ASSEMBLY INSTRUCTIONS

CF 8949-C 5'

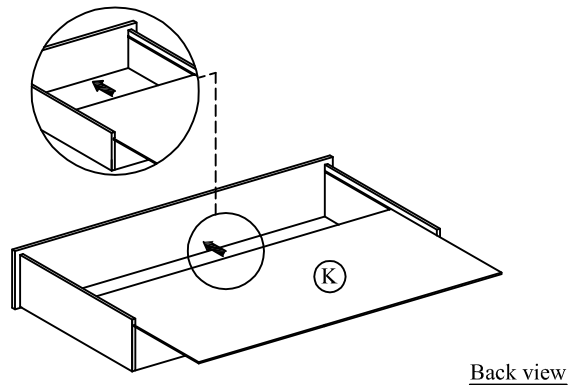
Step 4 : Attach the support legs (E) to the center rail (D) of the bed as shown. Slide the center rail (D) to the headboard (A) and footboard (B).



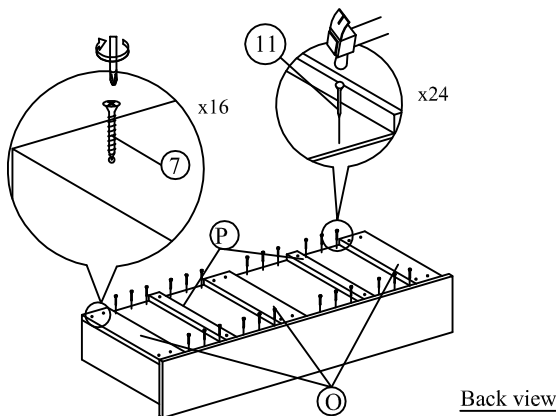
Step 5 : Tighten the footboard side panel (J) to the footboard front panel (H) and footboard back panel (I) with screws (8) using screw driver (not included).



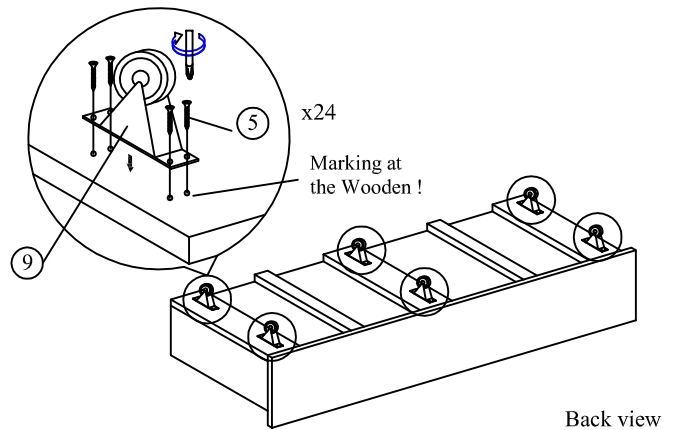
Step 6 : Slide the footboard bottom panel (K) to the set up drawer.



Step 7 : Tighten the bottom panel support (O & P) with screws (7) using screw driver (not included). Attach the bottom panel with Nail (11) using the hammer (not included).



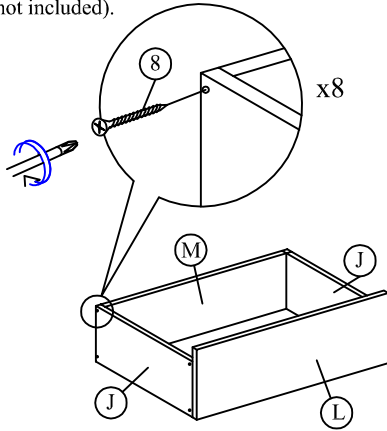
Step 8 : Tighten the roller (9) with screws (5) using screw driver (not included).



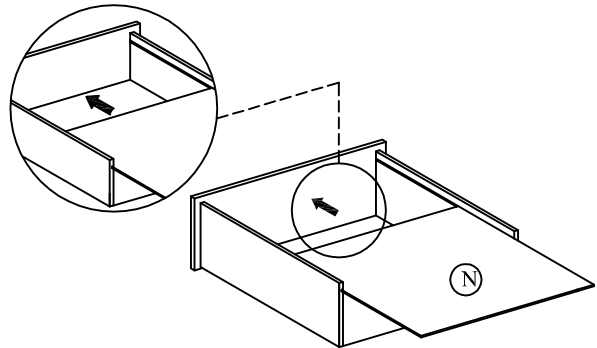
ASSEMBLY INSTRUCTIONS

CF 8949-C 5'

Step 9 : Tighten the side rail side panel (J) to the side rail front panel (L) and side rail back panel (M) with screws (8) using screw driver (not included).

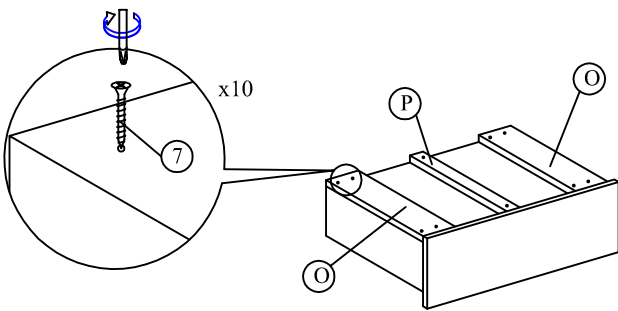


Step 10 : Slide the side rail bottom panel (O) to the set up drawer.



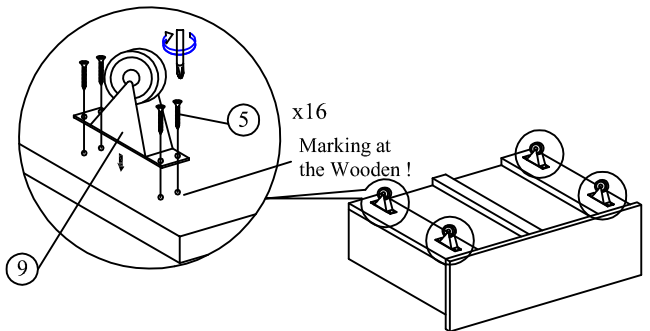
Back view

Step 11 : Tighten the bottom panel support (O & P) with screws (7) using screw driver (not included).



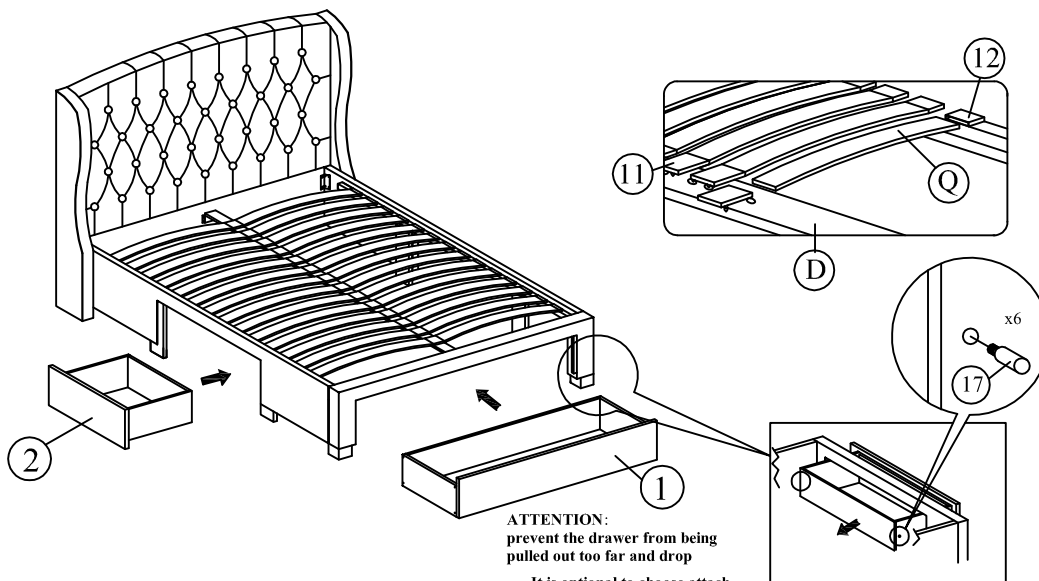
Back view

Step 12 : Tighten the roller (9) with screws (5) using screw driver (not included).



Back view

Step 13 : Tighten all the 4 corner, follow by assembly of the slat holders with LVL slats as shown.



ATTENTION:
prevent the drawer from being
pulled out too far and drop
It is optional to choose attach
the drawer stopper.