

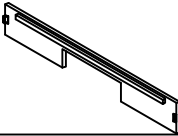






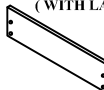




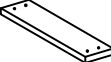
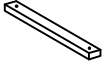


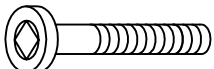
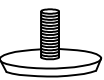
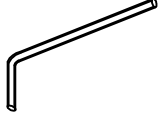
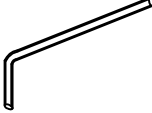
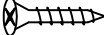
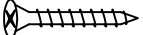
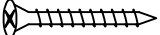
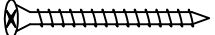
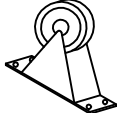



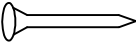
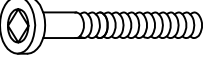


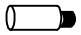


PARTS LIST

<p>A HEADBOARD (1 PC)</p> 	<p>B FOOTBOARD (1 PC)</p> 	<p>C SIDE RAIL (2 PCS)</p> 	<p>D CENTRAL RAIL (1 PC)</p> 	<p>E SUPPORT LEG (2 PCS)</p> 	<p>F SIDE RAIL (4PCS) SUPPORT</p> 
<p>G LEGS (4 PCS)</p> 	<p>H FOOTBOARD (1 PC) FRONT PANEL (WITH LABEL 1)</p> 	<p>I FOOTBOARD (1 PC) BACK PANEL (WITH LABEL 2)</p> 	<p>J FOOTBOARD & SIDE RAIL SIDE PANEL (6 PCS) (WITH LABEL 3)</p> 	<p>K FOOTBOARD (1 PC) BOTTOM PANEL (WITH LABEL 4)</p> 	<p>L SIDE RAIL (2 PCS) FRONT PANEL (WITH LABEL 5)</p> 
<p>M SIDE RAIL (2 PCS) BACK PANEL (WITH LABEL 6)</p> 	<p>N SIDE RAIL (2 PCS) BOTTOM PANEL (WITH LABEL 7)</p> 	<p>O BOTTOM PANEL (7 PCS) BIG SUPPORT (WITH LABEL 8)</p> 	<p>P BOTTOM PANEL (4 PCS) SMALL SUPPORT (WITH LABEL 9)</p> 	<p>Q LVL SLAT (26 PCS)</p> 	<p>R SIDE WING (2 PCS)</p> 

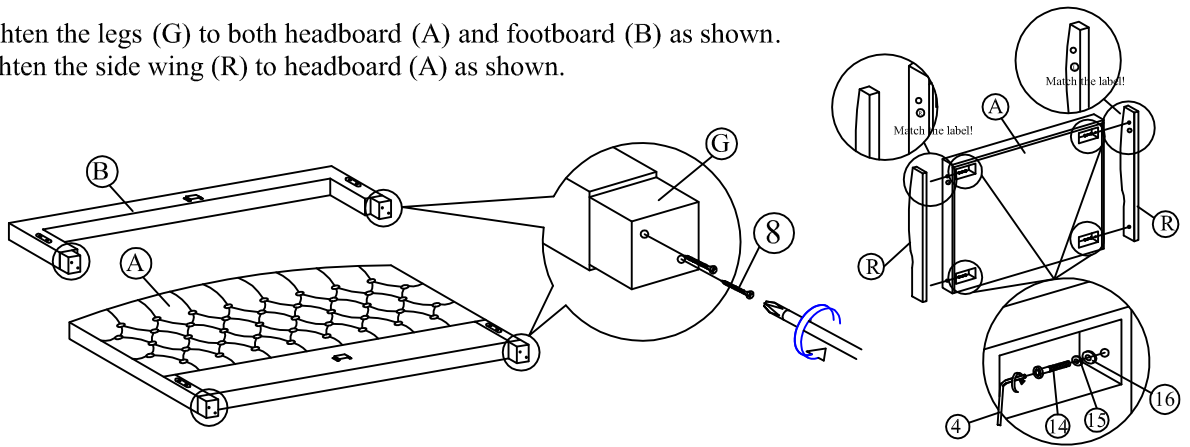
HARDWARE LIST

<p>1 JCBC M6 X 40mm(2 PCS)</p> 	<p>2 Adjuster 35mm (2 PCS)</p> 	<p>3 ALLEN KEY M4 X 65mm (1 PC)</p> 	<p>4 ALLEN KEY M4 X 70mm (1 PC)</p> 	<p>5 CSK M3.5 x 16mm (56 PCS)</p> 
<p>6 CSK M4 x 25mm (8 PCS)</p> 	<p>7 CSK M4 x 32mm (36 PCS)</p> 	<p>8 CSK M4 x 50mm (32 PCS)</p> 	<p>9 ROLLER (14 PCS)</p> 	<p>10 WOOD DOWEL 20MM (8 PCS)</p> 
<p>11 Middle Holder (13 PCS)</p> 	<p>12 End Holder (26 PCS)</p> 	<p>13 Power Nail 6/8 (24 PCS)</p> 	<p>14 JCBC M6 X 50mm(4 PCS)</p> 	<p>15 Spring Washers (4 PCS)</p> 
<p>16 Flat Washers (4 PCS)</p> 	<p>17 Metal Stopper (6 PCS)</p> 			

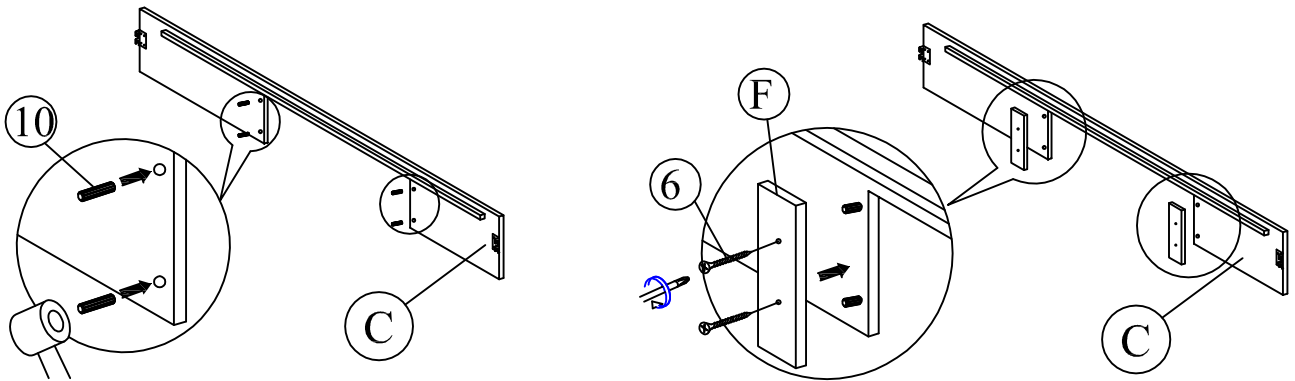
ASSEMBLY INSTRUCTIONS

CF 8949-C 4'6"

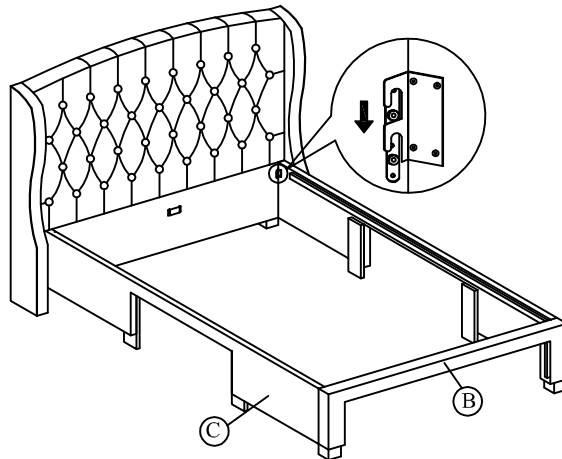
Step 1 : Tighten the legs (G) to both headboard (A) and footboard (B) as shown.
Tighten the side wing (R) to headboard (A) as shown.



Step 2 : Attach wood dowel (10) to side rail (C). Tighten the side rail support (F) to the side rail (C) with screws (6) using screw driver (not included).



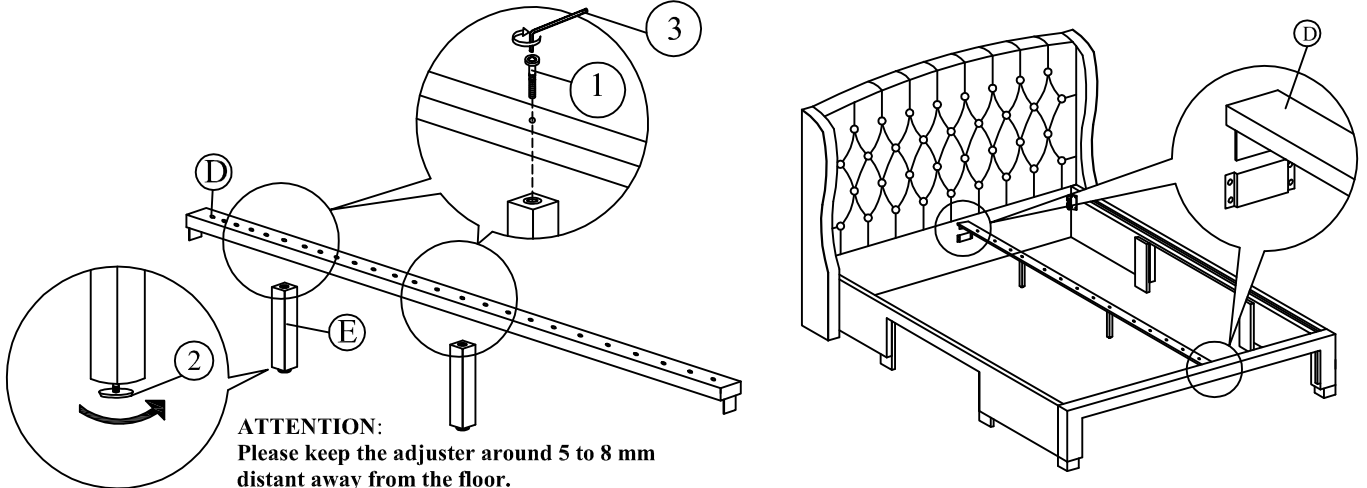
Step 3 : Attach side rail (C) to headboard (A) and footboard (B) by pushing the bracket down to fit it.



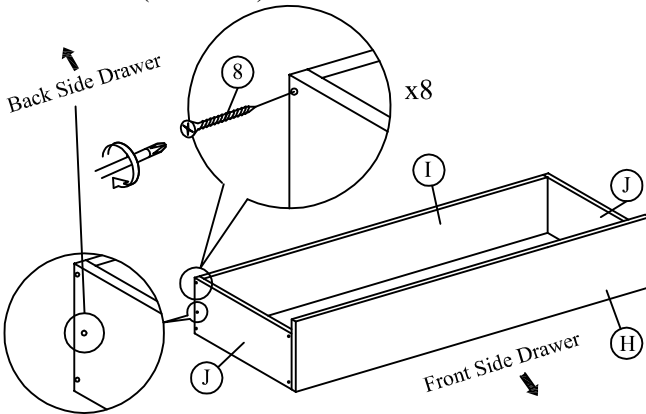
ASSEMBLY INSTRUCTIONS

CF 8949-C 4'6"

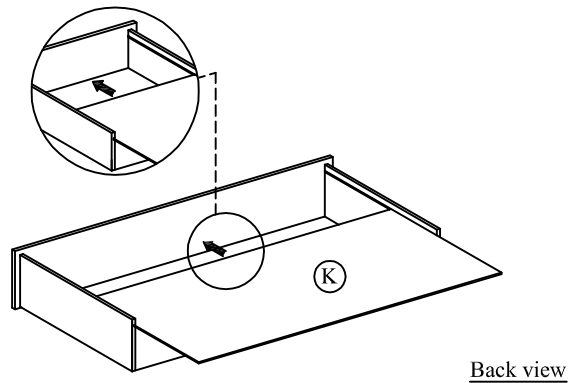
Step 4 : Attach the support legs (E) to the center rail (D) of the bed as shown. Slide the center rail (D) to the headboard (A) and footboard (B).



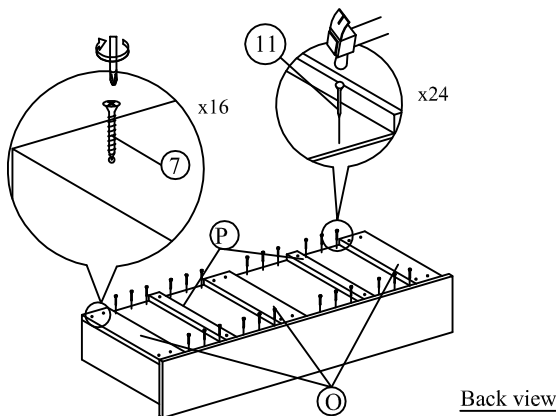
Step 5 : Tighten the footboard side panel (J) to the footboard front panel (H) and footboard back panel (I) with screws (8) using screw driver (not included).



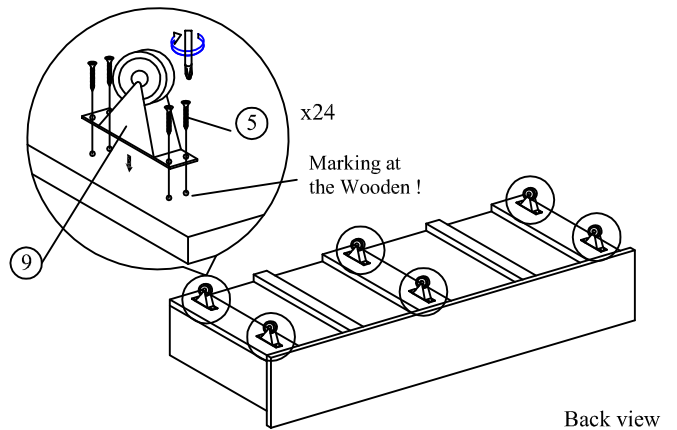
Step 6 : Slide the footboard bottom panel (K) to the set up drawer.



Step 7 : Tighten the bottom panel support (O & P) with screws (7) using screw driver (not included). Attach the bottom panel with Nail (11) using the hammer (not included).



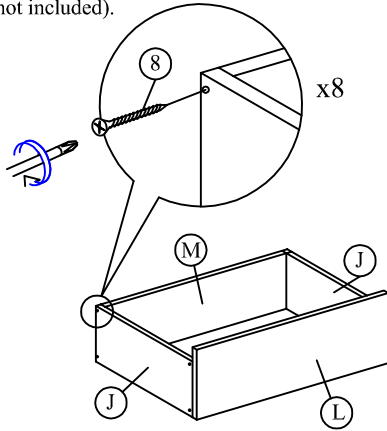
Step 8 : Tighten the roller (9) with screws (5) using screw driver (not included).



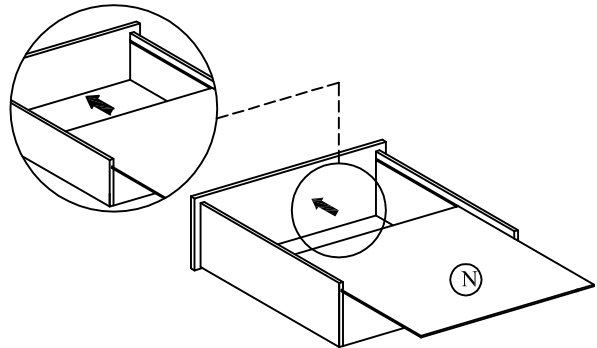
ASSEMBLY INSTRUCTIONS

CF 8949-C 4'6"

Step 9 : Tighten the side rail side panel (J) to the side rail front panel (L) and side rail back panel (M) with screws (8) using screw driver (not included).

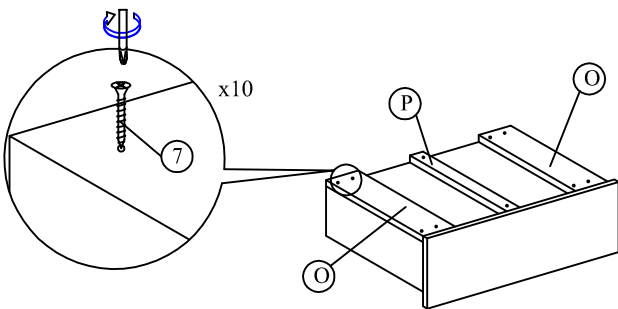


Step 10 : Slide the side rail bottom panel (O) to the set up drawer.



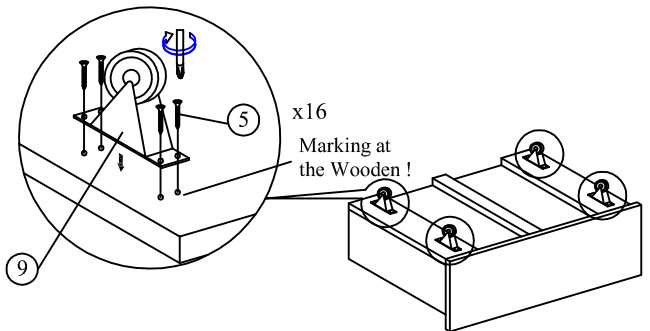
Back view

Step 11 : Tighten the bottom panel support (O & P) with screws (7) using screw driver (not included).



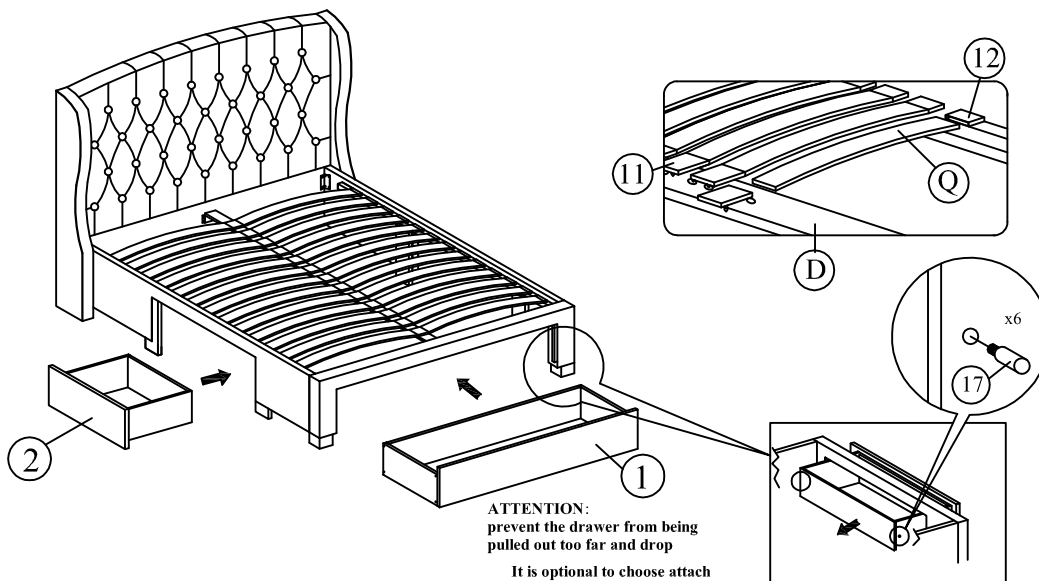
Back view

Step 12 : Tighten the roller (9) with screws (5) using screw driver (not included).



Back view

Step 13 : Tighten all the 4 corner, follow by assembly of the slat holders with LVL slats as shown.



ATTENTION:
prevent the drawer from being pulled out too far and drop
It is optional to choose attach the drawer stopper.