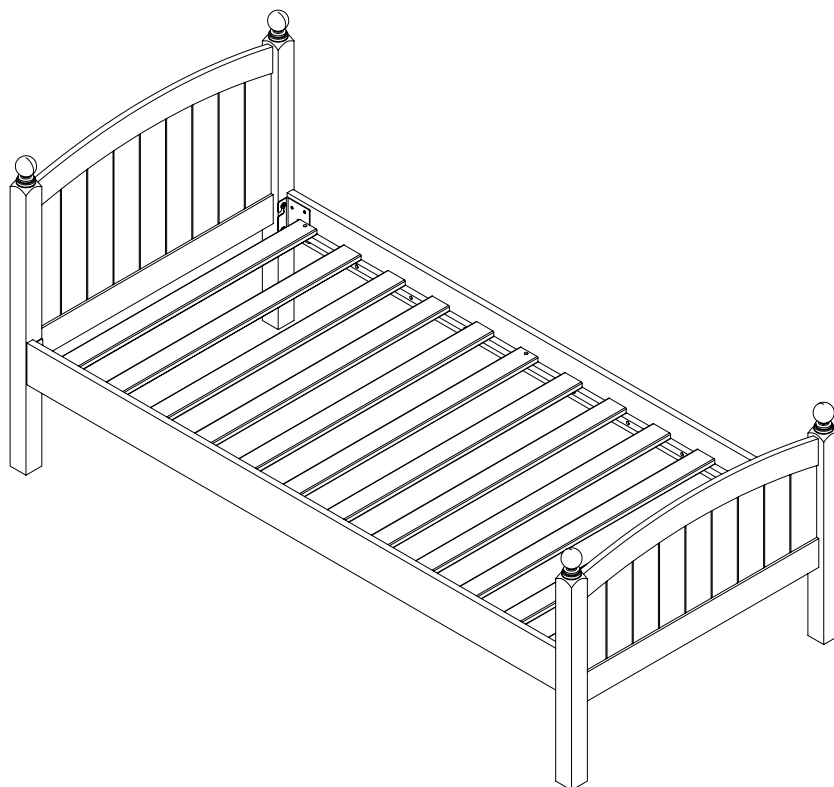


STEP 2

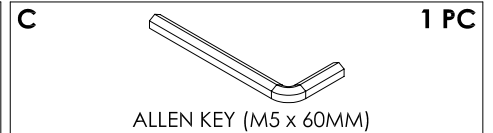
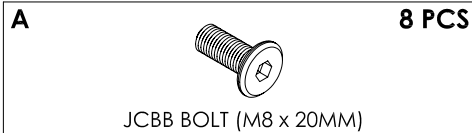
Attach and secure **Wooden Slats** onto both **Side Rails** by using **(B)**, tighten it up by using a Crosshead Screw Driver.

ASSEMBLY INSTRUCTION

MODEL : WS 1604 CHARLESTON 3' BED (915 x 1905)MM

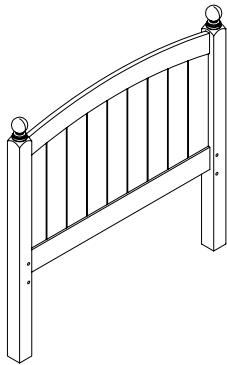


HARDWARE LIST

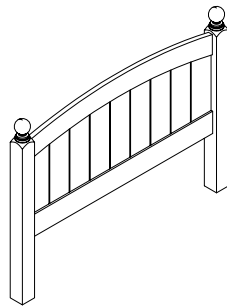


Tool Required : Crosshead Screw Driver

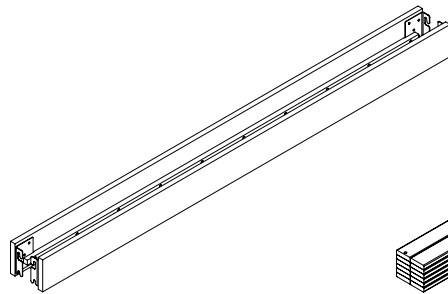
PARTS LIST



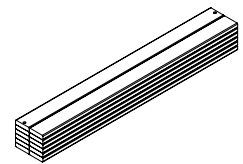
HEADBOARD
1 PC / SET
(CARTON 1 OF 2)



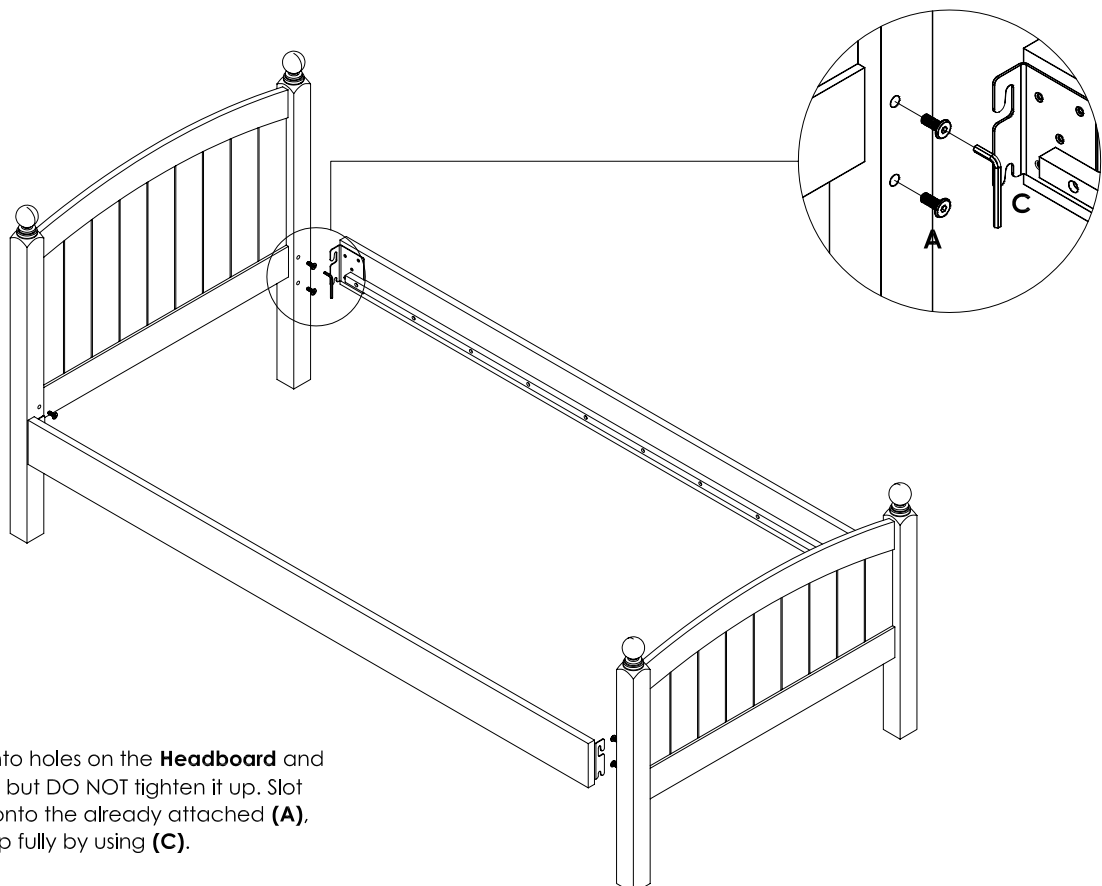
FOOTBOARD
1 PC / SET
(CARTON 1 OF 2)



SIDE RAILS
2 PCS / SET
(CARTON 2 OF 2)

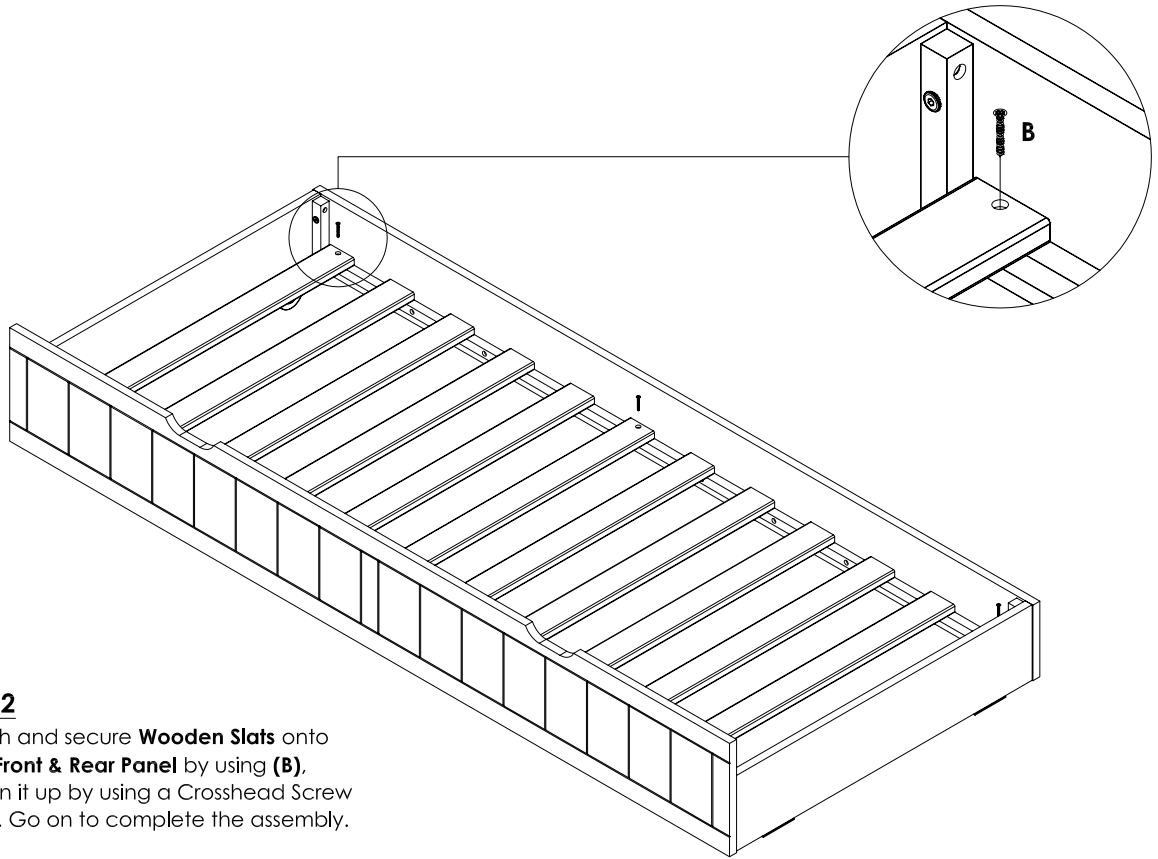


WOODEN SLATS
12 PCS / SET
(CARTON 1 OF 2)



STEP 1

Insert **(A)** into holes on the **Headboard** and **Footboard**, but DO NOT tighten it up. Slot **Side Rails** onto the already attached **(A)**, tighten it up fully by using **(C)**.

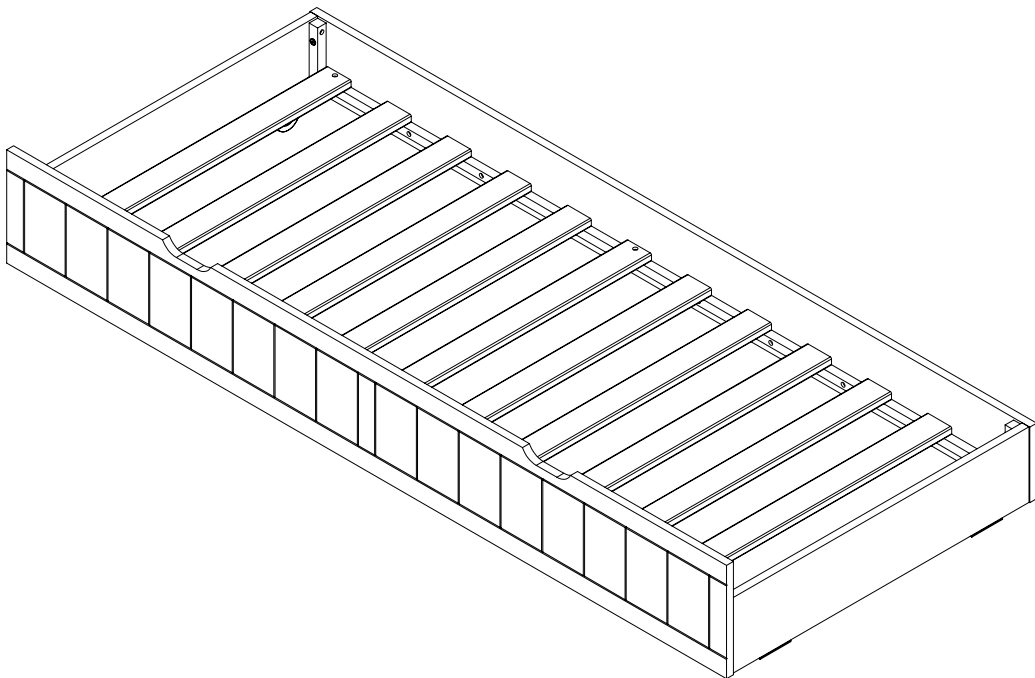


STEP 2

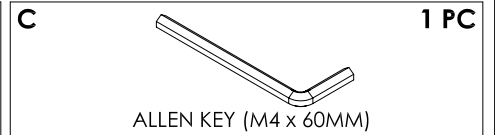
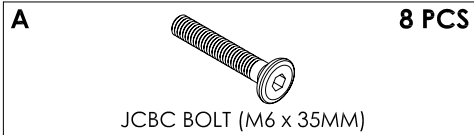
Attach and secure **Wooden Slats** onto both **Front & Rear Panel** by using **(B)**, tighten it up by using a Crosshead Screw Driver. Go on to complete the assembly.

ASSEMBLY INSTRUCTION

MODEL : WS 1602 HAMPTON TRUNDLE BED (770 x 1830)MM

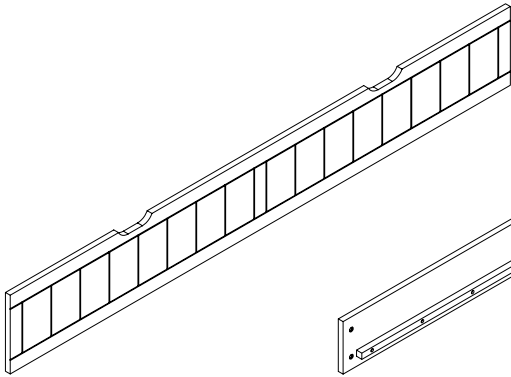


HARDWARE LIST

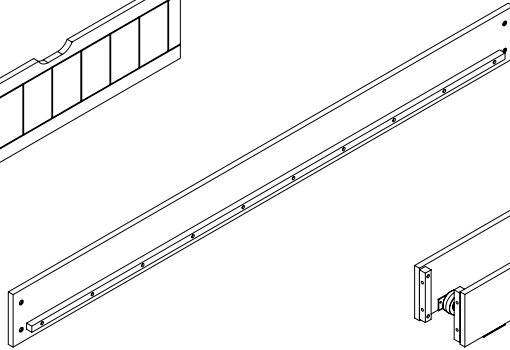


Tool Required : Crosshead Screw Driver

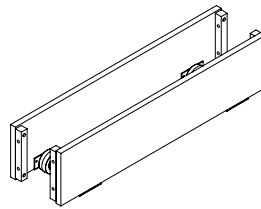
PARTS LIST



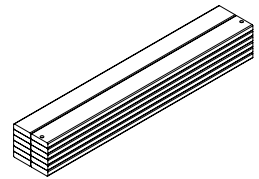
FRONT PANEL
1 PC / SET
(CARTON 1 OF 1)



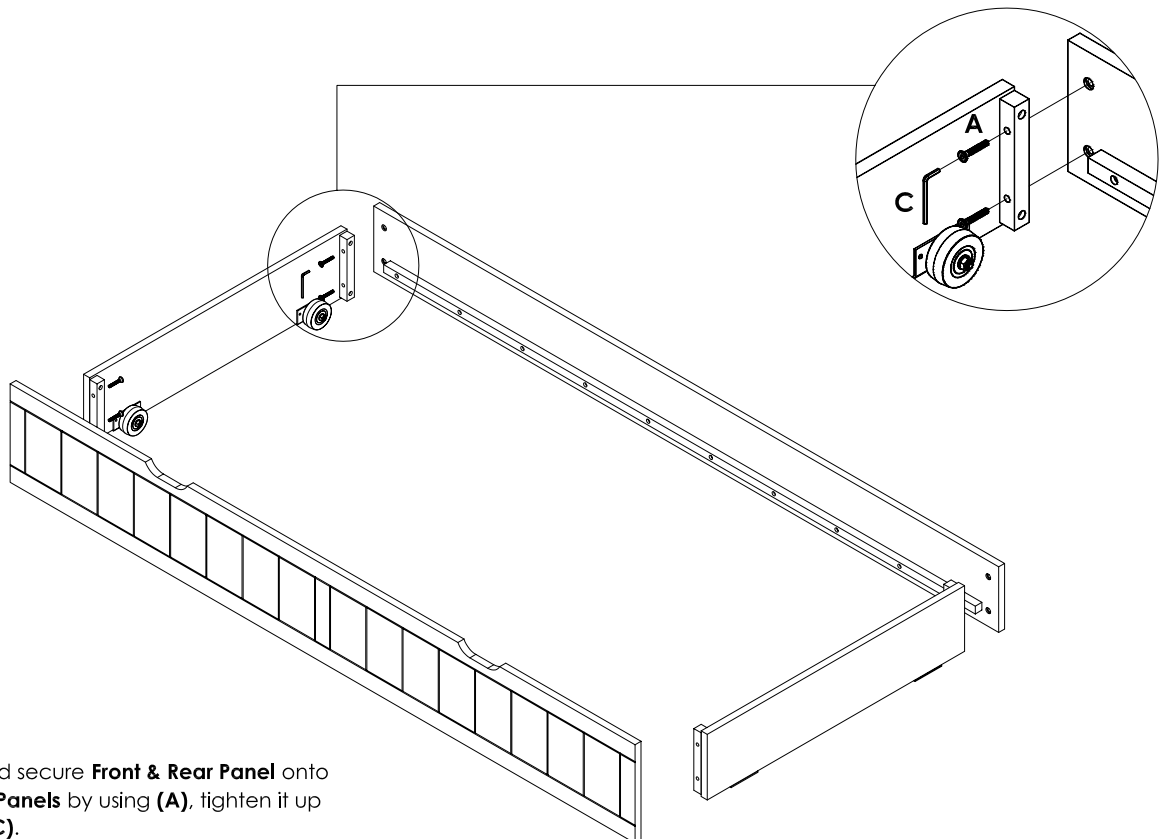
REAR PANEL
1 PC / SET
(CARTON 1 OF 1)



SIDE PANELS
2 PCS / SET
(CARTON 1 OF 1)



WOODEN SLATS
12 PCS / SET
(CARTON 1 OF 1)



STEP 1

Attach and secure **Front & Rear Panel** onto both **Side Panels** by using **(A)**, tighten it up by using **(C)**.