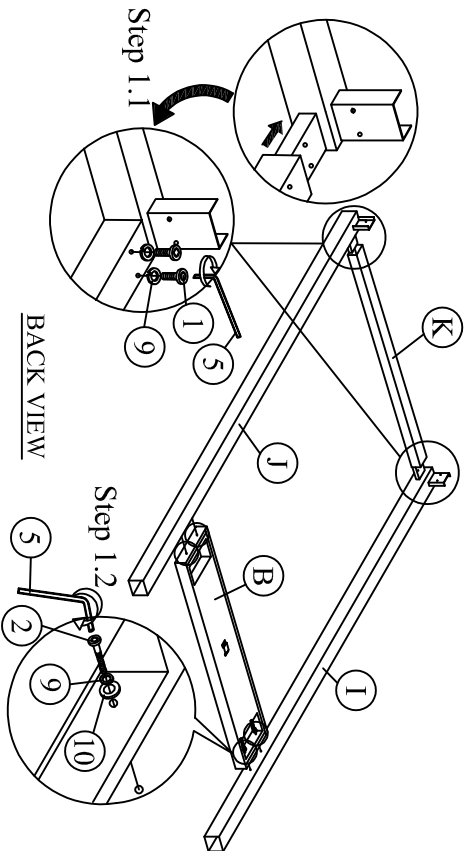


ASSEMBLY INSTRUCTION

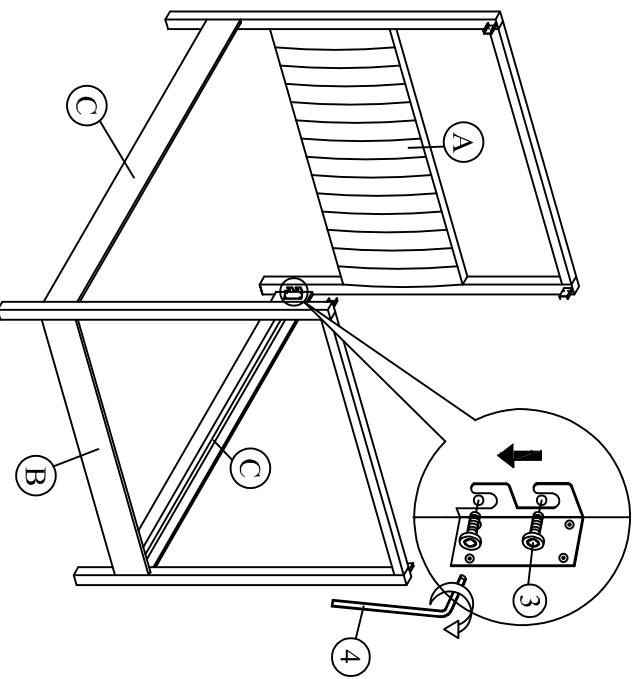
MODEL : CF 9389 (4/6')	
A	Headboard 1 pc
B	Footboard 1 pc
C	Side Rail 2 pcs
D	15 Pcs Slat 13,97mm 1 pc
E	Center Rail 1950mm 1 pc
F	Support Leg 215mm 3 pcs
G	Headboard Metal (Left) 1950mm 1 pc
H	Headboard Metal (Right) 1950mm 1 pc
I	Footboard Metal (Left) 1950mm 1 pc
J	Footboard Metal (Right) 1950mm 1 pc
K	Headboard and footboard Upper Metal 1340mm 2 pcs
L	Side Rail Upper Metal 1950mm 2 pcs
Packing Hardware	
1	Black JCRG M6 X 20 16 pcs
2	Black JCRG M6 X 50 11 pcs
3	JCRB M8 X 20 8 pcs
4	M5 X 70mm 1 pc
5	M4 X 6mm 1 pc
6	CSK M4 X 25mm 1 pc
7	CSK M4 X 32mm 30 pcs
8	Small Adjuster 3 pcs
9	Black Spring Washer 24 pcs
10	Black Flat Washer 8 pcs

Step 1 : Tighten the footboard(B) and headboard and footboard upper metal (K) to and footboard metal (I)/(J) as shown.

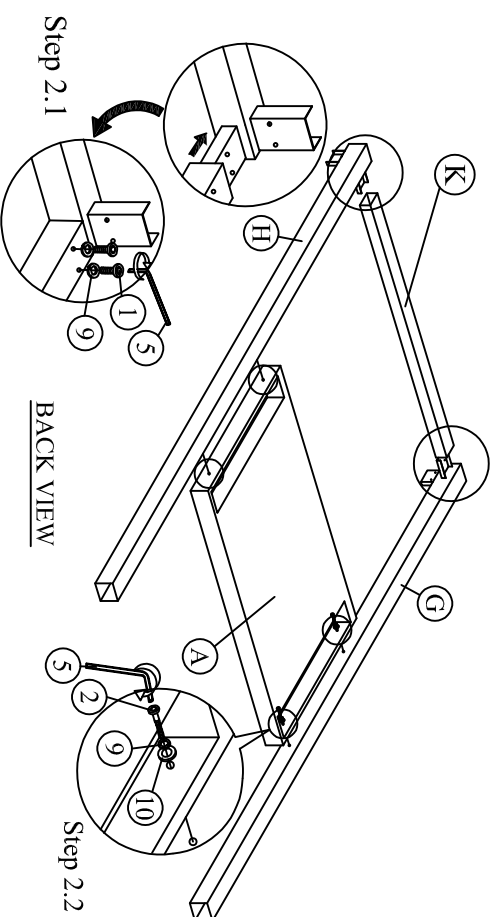


BACK VIEW

Step 3 : Attach side rail (C) to headboard metal (G)/(H) and footboard metal (I)/(J) by pushing the bracket down to fit it.

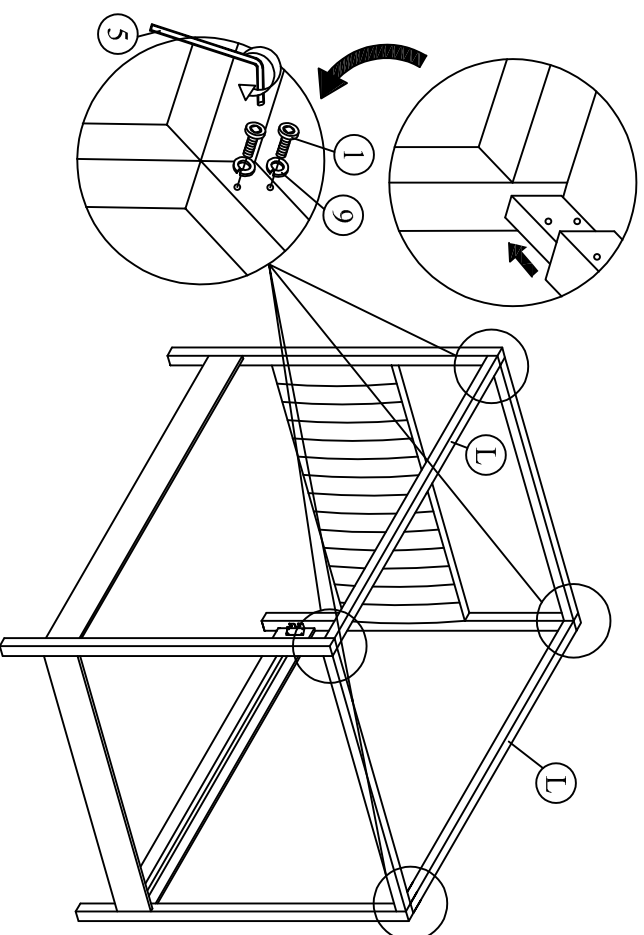


Step 2 : Tighten the headboard (A) and headboard and footboard upper metal (K) to headboard metal (G)/(H) as shown.

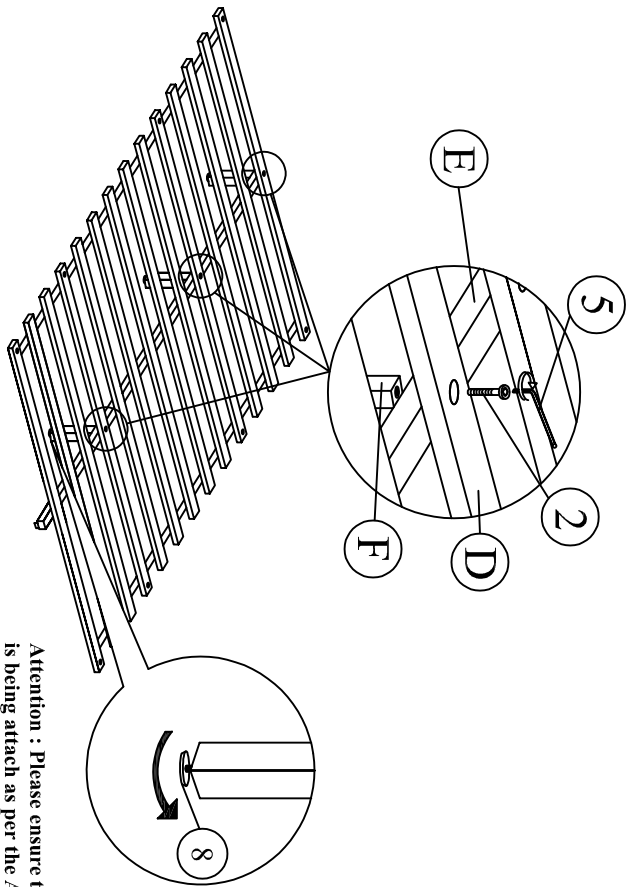


BACK VIEW

Step 4 : Attach side rail upper metal (L) to headboard metal (G)/(H) and footboard metal (I)/(J).

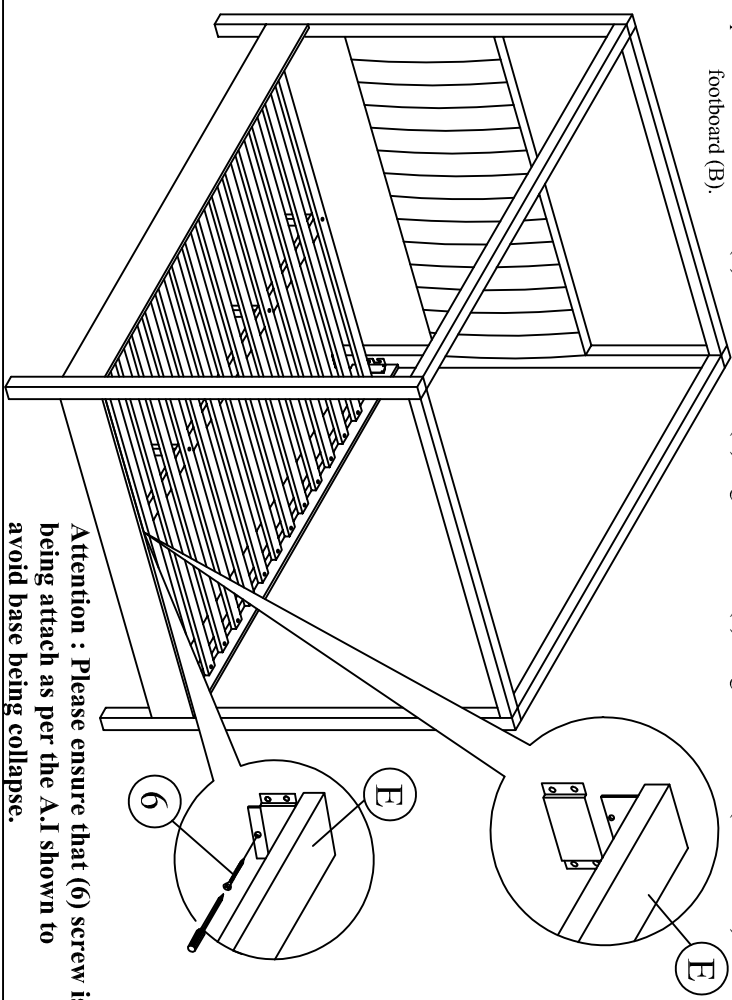


Step 5 : Attach the slat (D) and support legs (F) to the center rail (E) of the bed as shown.



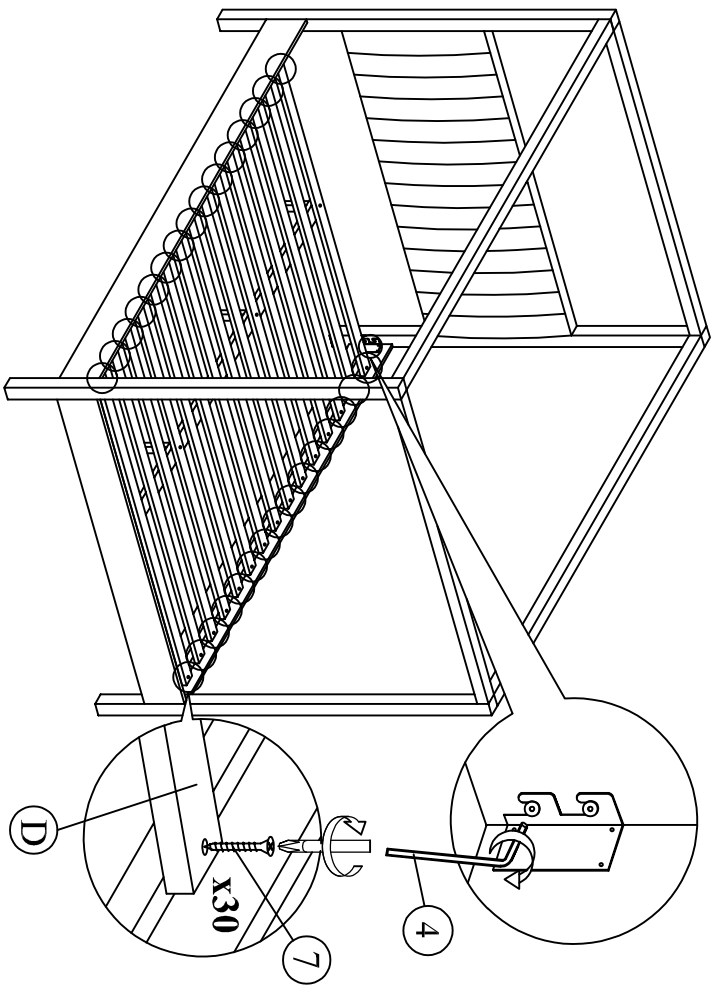
Attention : Please ensure that (8) screw is being attach as per the A.I shown to avoid base being collapse .

Step 6 : Slide the center rail (E) to the footboard (B). Tighten screws (6) using screw driver (not included) to the footboard (B).



Attention : Please ensure that (6) screw is being attach as per the A.I shown to avoid base being collapse.

Step 7 : Affix the Slat (D) to the side rail support wood and the center rail (E). Tighten all the 4 corner .



Important Information

Please note that the recommended process for adjusting centre legs when assembling your bed.

Before placing the mattress on the base, please ensure that the **SUPPORT LEGS ARE NOT QUITE TOUCHING THE FLOOR**. When the bed is then in use the support legs will sit firmly on the solid surface.

PLEASE ENSURE THAT THE LEGS ARE VERTICAL.

DUE TO THE NATURE OF LAMINATE / WOODEN FLOORING WE RECOMMEND THAT YOU PLACE A SMALL PIECE OF NON SLIP MATERIAL UNDER THE LEGS WHICH WILL GIVE YOU THE FLEXIBILITY THE ADJUSTERS NEED.

When moving the bed it is essential that it is **LIFTED** into the new position. **NEVER DRAG** the bed as this will move the legs from the vertical position thus weakening the support of the centre rail.

Adhering to the recommended process should ensure that your bed gives you years of trouble free service.