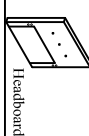

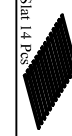




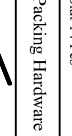

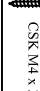

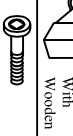
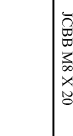


ASSEMBLY INSTRUCTION

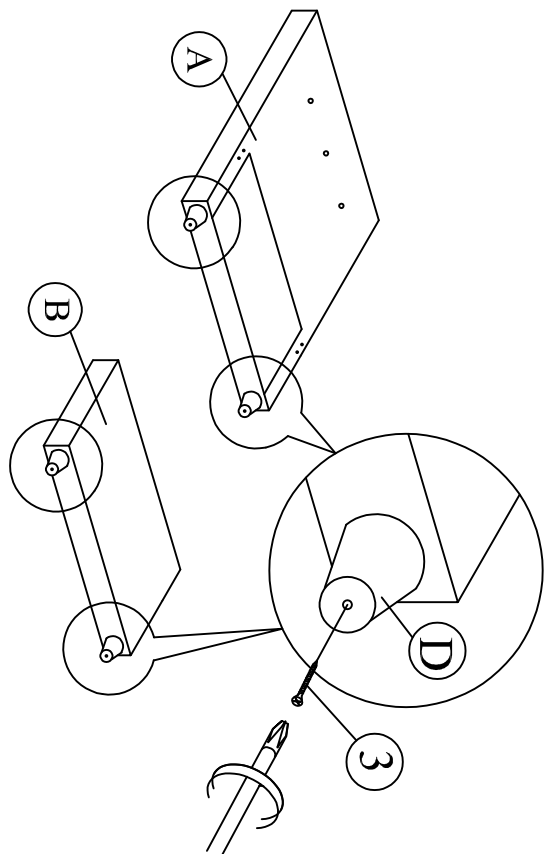
MODEL : CF 9090-D (3)

A		1 pc
B		1 pc
C		1 pc
D		4 pcs
E		2 pcs
F		2 pcs
G		2 pcs
H		1 pc

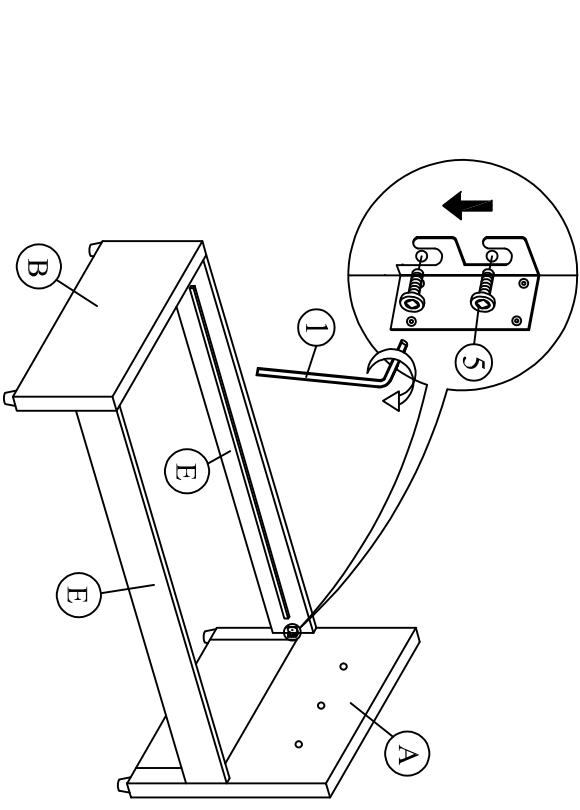
Packing Hardware

1		1 pc
2		80 pcs
3		4 pcs
4		6 pcs
5		16 pcs

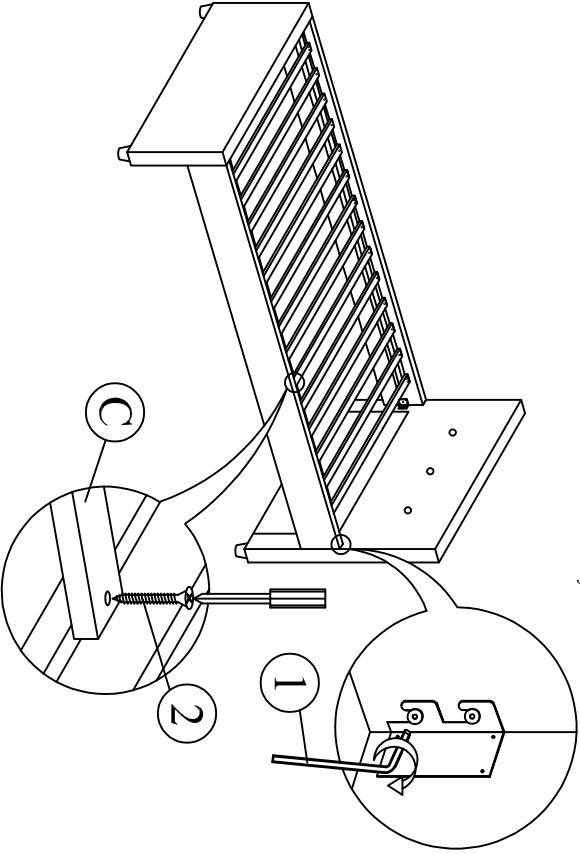
Step 1 : Tighten the legs (D) to both headboard (A) and footboard (B) as shown.



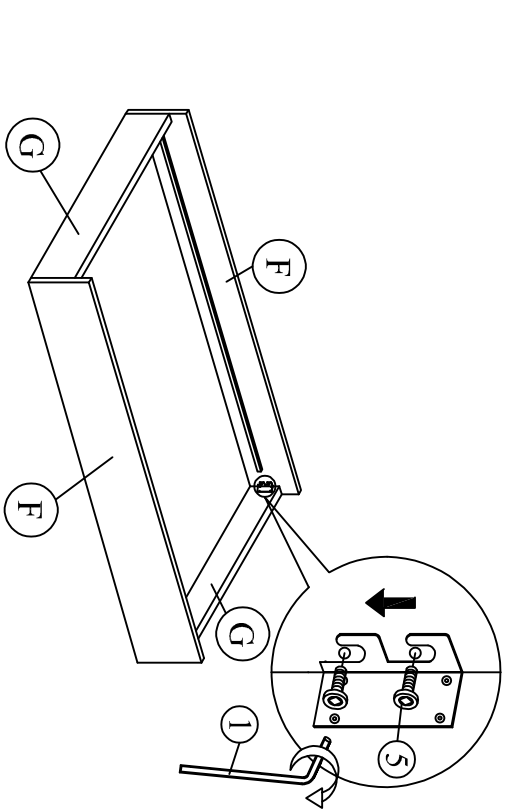
Step 2 : Attach side rail (E) to headboard (A), footboard (B) by pushing the bracket down to fit it.



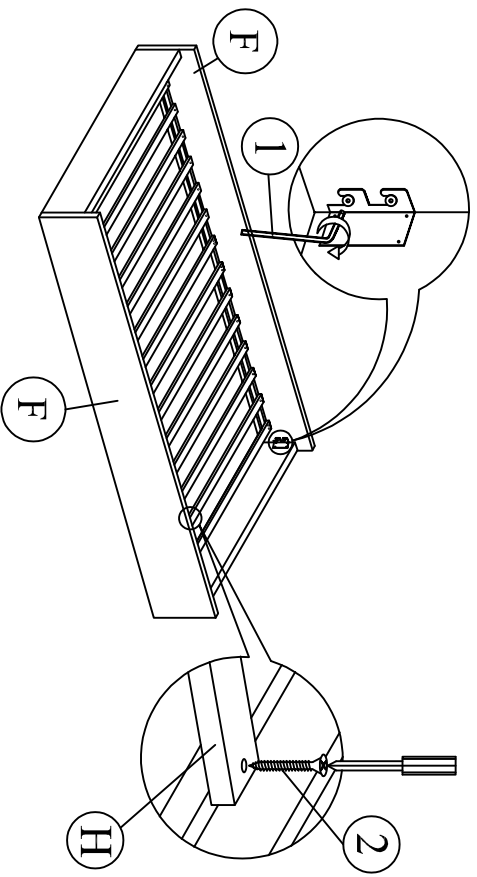
Step 3 : Tighten the 4 Corner with Allen Key (1). Install the slats to side rail. Tighten the slats with CSK screw (2). The distance of the slats should be sufficient to obtain desirable bed stability.



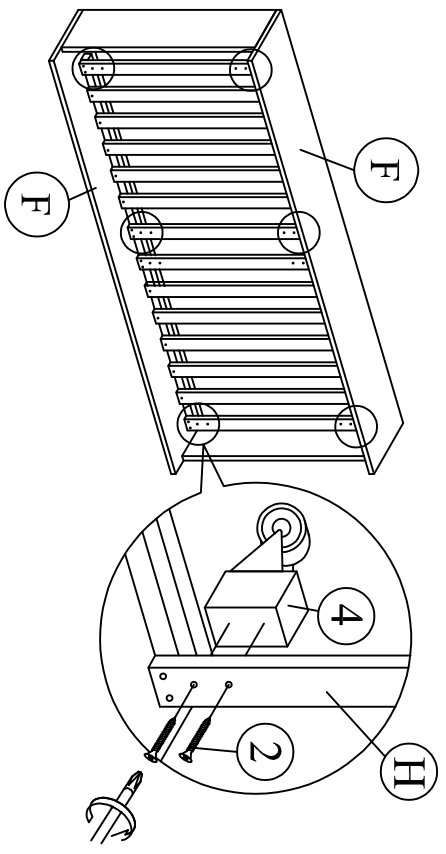
Step 4 : Attach trundle side panel (G) and trundle front panel (F) by pushing the bracket down to fit it.



Step 5 : Tighten the 4 Corner with Allen Key (1) and fix the slat (H) to the trundle front panel (F).



Step 6 : Turn the trundle to another side as below diagram and tighten the roller with wooden (4) at the slat (H).



Step 7 : Assembly is complete.

