

PLEASE READ this sheet prior to assembly to familiarise yourself with the various stages of construction. Carefully open the pack supplied and check the contents against the parts and fittings check list.

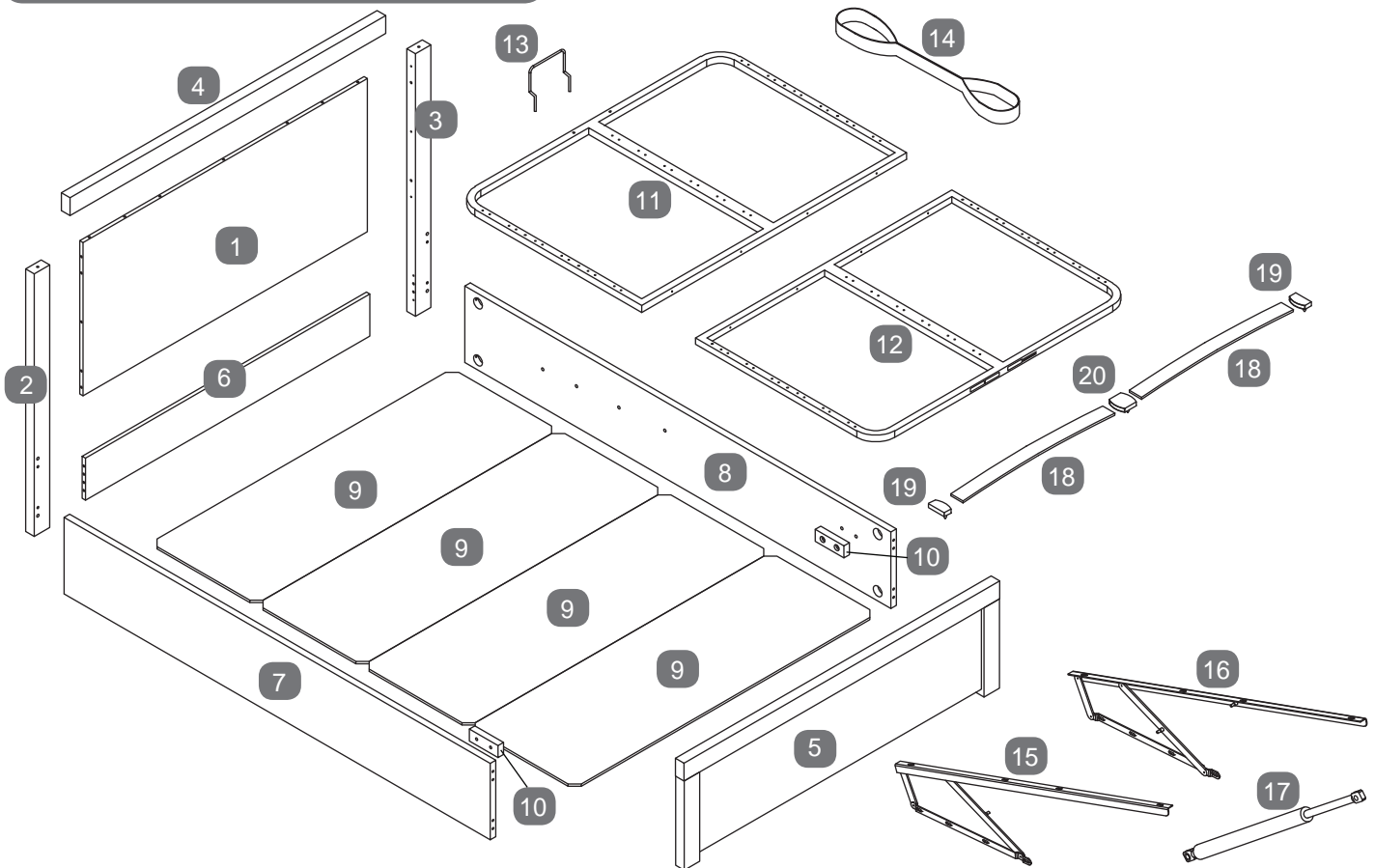
Do not destroy any of the packaging until you are certain that you have all the necessary parts for the assembly.

Please ensure that the packaging is disposed of in a safe environmentally friendly way.

CAUTION: There are small components used in the construction of this unit. These loose items should be kept away from young children during assembly, to avoid the danger of choking.

IMPORTANT: BEFORE STARTING TO ASSEMBLE THE BED - PLEASE READ THESE INSTRUCTIONS CAREFULLY.

### Parts Identification



### Parts Checklist

Ref.	Description	Qty	Ref.	Description	Qty
1	Inner panel for headboard	1	6	Bottom rail for headboard	1
2	LH headboard leg	1	7	Side rail - LH	1
3	RH headboard leg	1	8	Side rail - RH	1
4	Top rail for headboard	1	9	Base boards	4
5	Footboard	1	10	Support blocks	2

## Parts Checklist

Ref.	Description	Qty	Ref.	Description	Qty
11	Metal slat frame - Headend	1	16	Lift mechanism - RH	1
12	Metal slat frame - Footend	1	17	Gas lift pistons	2
13	Mattress Stopper	1	18	Bentwood slats	24/28
14	Fabric handle	1	19	Single plastic caps	24/28
15	Lift mechanism - LH	1	20	Double plastic caps	12/14

## Fittings Checklist

### HARDWARE NEEDED FOR HEADBOARD ASSEMBLY (PACK A)

Code	Description	Qty	Code	Description	Qty
A	Cam bolt	x17	C	Dowel (Ø8x30mm)	x1
B	Cam lock	x17			

### HARDWARE NEEDED FOR BED ASSEMBLY (PACK B)

Code	Description	Qty	Code	Description	Qty
C	Dowel (Ø8x30mm)	x8	H6	6PDOOllat washer for M8 stud ' P P 'LD P H W H U	x
D	Threaded stud (M8x90mm)	x8	H/	/DUJHllat washer for M8 boltsPPLDPHWHU	x
E	Nuts for M8 stud	x8	J	Bolt (M8x35mm) for fitting support block (10) to side rails (7&8)	x4
F	Half-moon bracket	x8	K	Allen key for M8 bolts	x1
G	Spring washer for M8 bolt and stud	x12	L	Spanner for M8 nut	x1

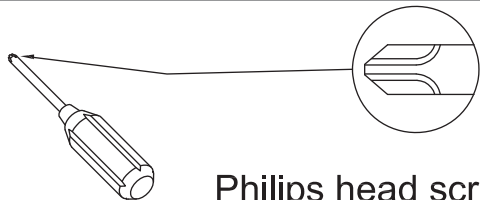
### HARDWARE NEEDED FOR METAL SLAT FRAME ASSEMBLY (PACK C)

Code	Description	Qty	Code	Description	Qty
E	Nuts for M8 bolts	x10		Bolts (M8x3 mm) for fitting lift mechanism (15 & 16)	x8
H/	/DUJHllat washer for M8 boltsPPLDPHWHU	x28	Q	Plastic spacer for lift mechanism (15 & 16)	x8
M	Flanged M8 lock-nuts for gas-lift piston	x4	R	Bolts (M8x76mm) for connect both metal slat frame (11&12)	x4
N	Spanner for flanged M8 lock-nuts	x1	S	Bolt (M8x50mm) for fitting metal slat frame to lift mechanism (15&16)	x6

### HARDWARE NEEDED FOR BASE BOARDS ASSEMBLY (PACK D)

Code	Description	Qty	Code	Description	Qty
T	Screw (Ø8x28mm)	x20	U	Plastic feet	x20

## Additional Tools Required



Philips head screwdriver

## Care & Maintenance

In the unlikely even of missing or damaged parts.  
Please email [hello@time4sleep.co.uk](mailto:hello@time4sleep.co.uk)  
Please have this guide at hand requesting the code reference number shown, when requesting spare or replacement parts.

## General Hints & Tips



Please retain your assembly instruction and tools provided for future use.  
Periodically check that all bolts are still tight.



Assembly requires two persons.



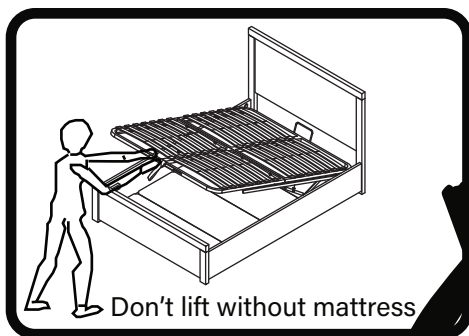
1.5 Hrs

Approximate time to assemble this product

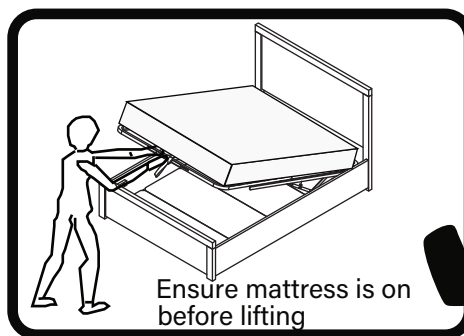
## Warning

- You must ensure that the mattress is on the bed frame before operating the lift mechanism – Failure to do so could result in injury.
- Keep hands clear of the mechanism when opening or closing the ottoman.
- Beware of entrapment – Never reach in through the mechanism to access the storage area.
- Always ensure that the ottoman is FULLY opened before accessing the storage area.
- Do not exceed the maximum weight as specified in the table below:

Bed	Bed Size	Min Weight (kg)	Max Weight (kg)
BROOKES OTTOMAN BED	Double	10	40
	King	15	45



Don't lift without mattress

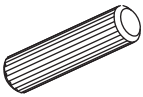


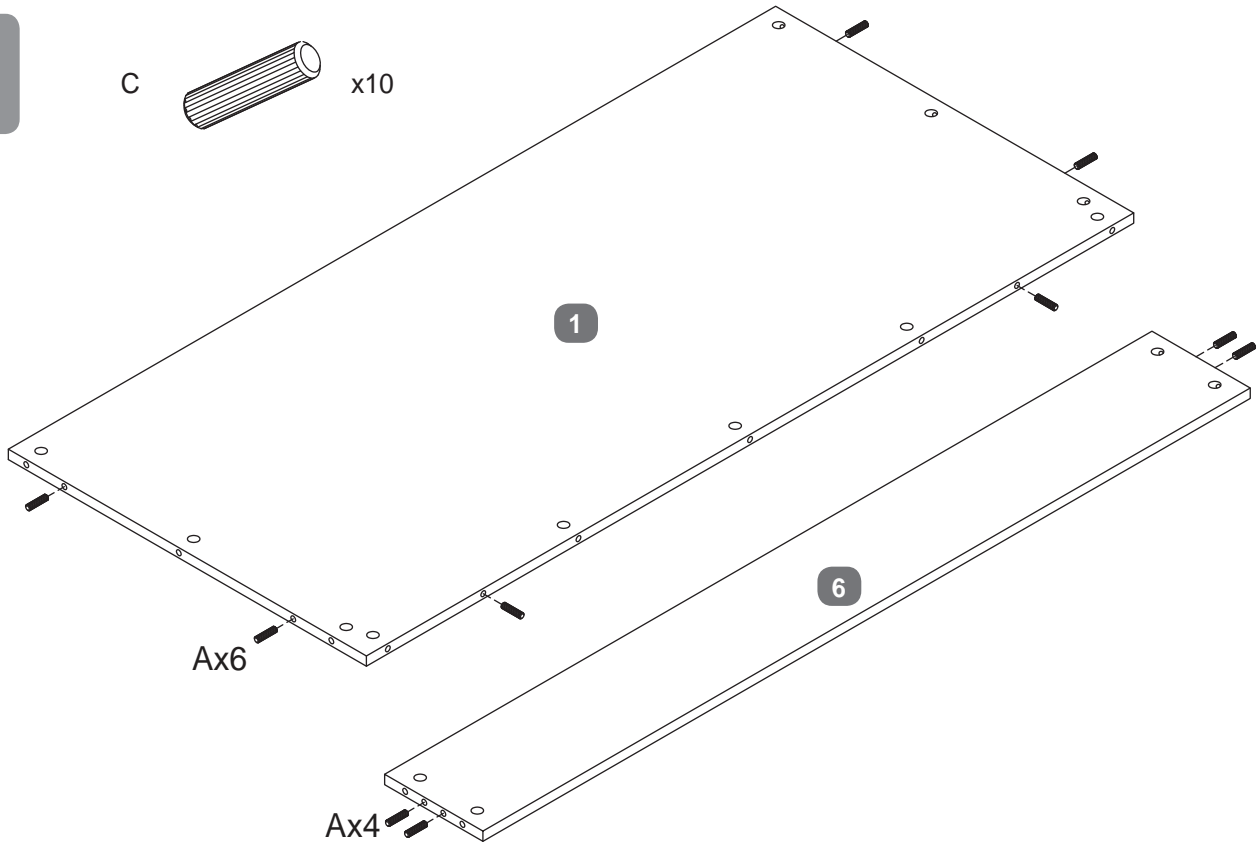
Ensure mattress is on before lifting

- Use caution when operating, always use the handle when lifting.
- Note: This bed uses a pressurised mechanism.
- To be operated by adults only.
- Please ensure that children and pets are kept away from the bed when operating the lift mechanism.
- Keep children and pets away from the storage area.
- Do not overload the internal storage base.
- Do not stand inside the internal storage area of the bed.
- Before removing the mattress secure the frame to ensure it does not open unexpectedly.
- Do not attempt to lie on the mattress when the ottoman is in the raised position.
- When lifting the ottoman remove all bedding except the fitted sheet.

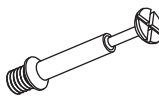
# Headboard Assembly - Use Pack A

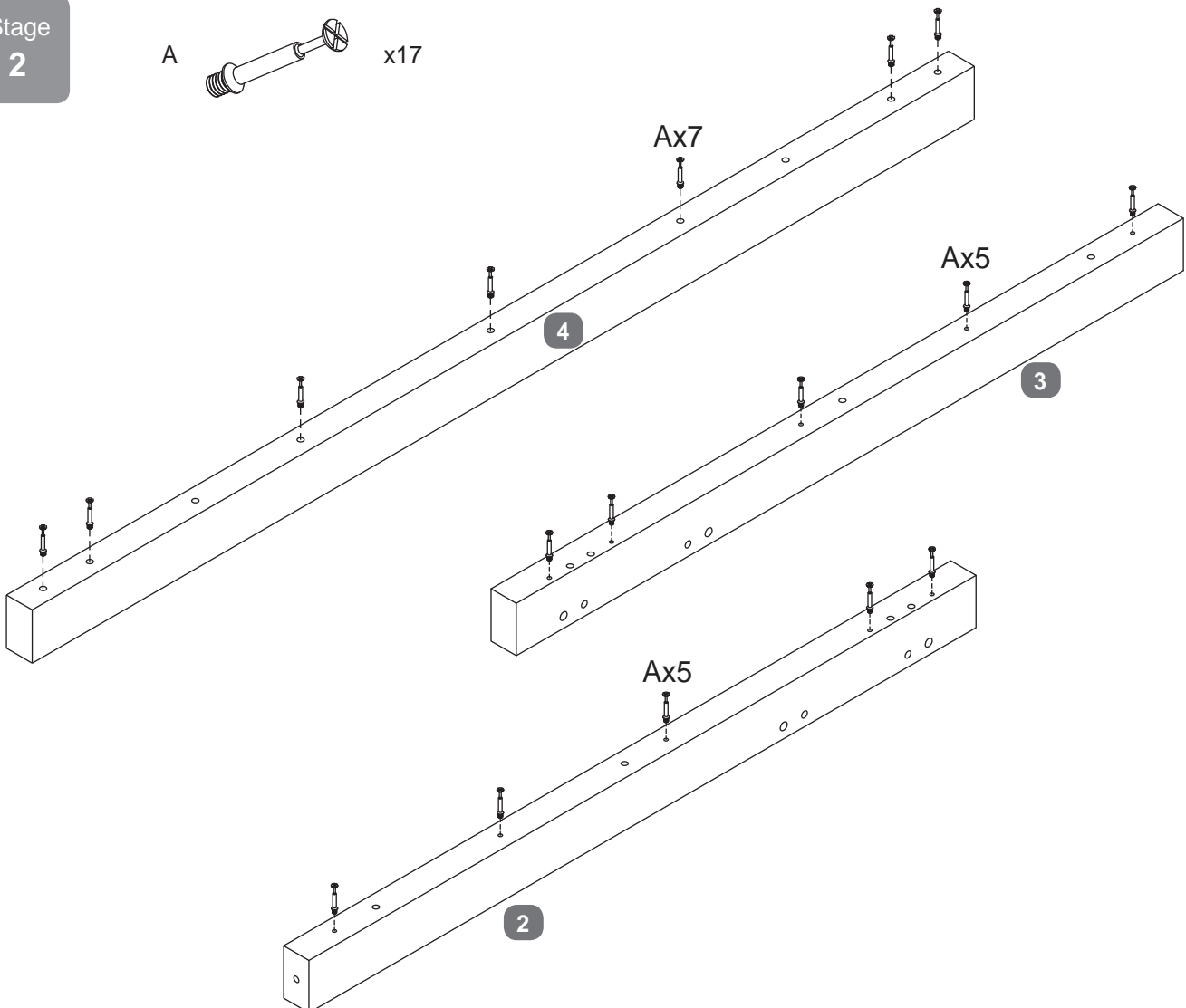
Stage  
1

C  x10

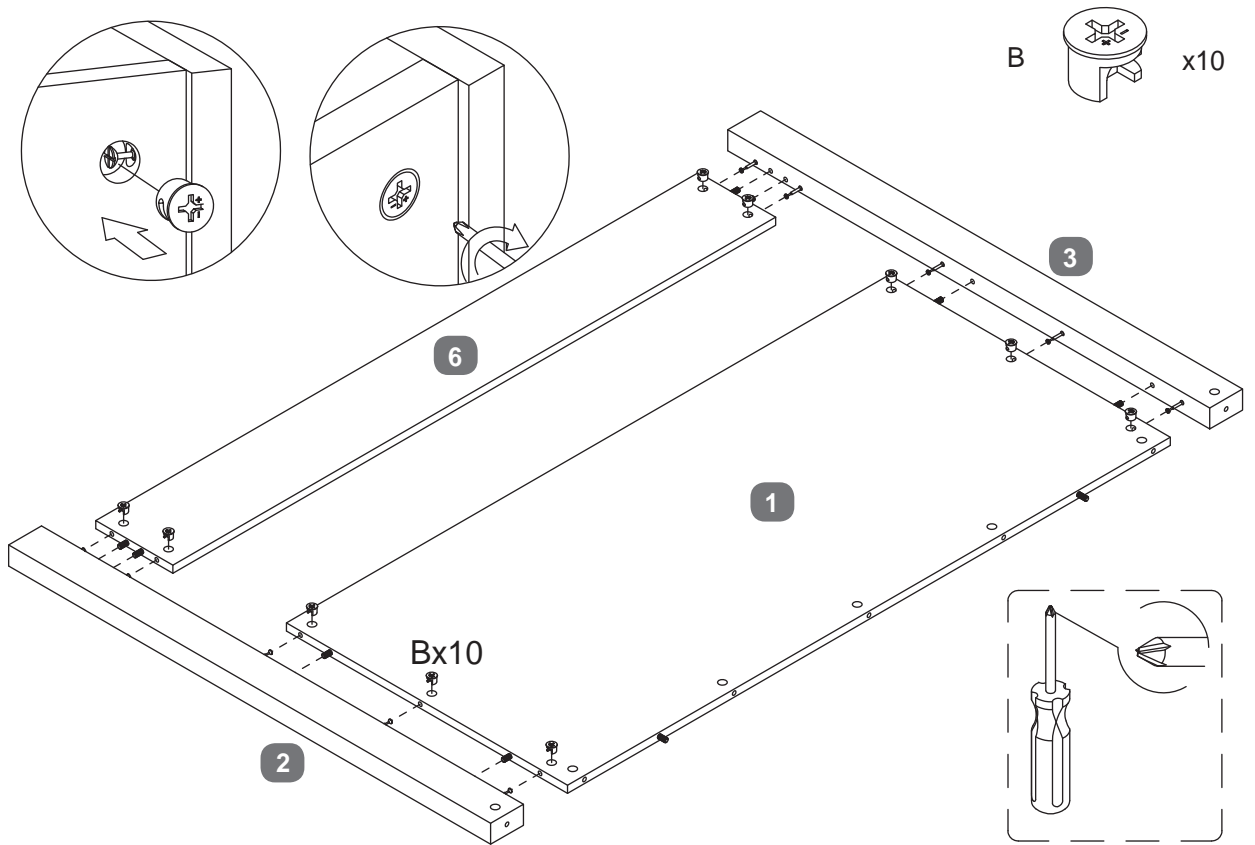


Stage  
2

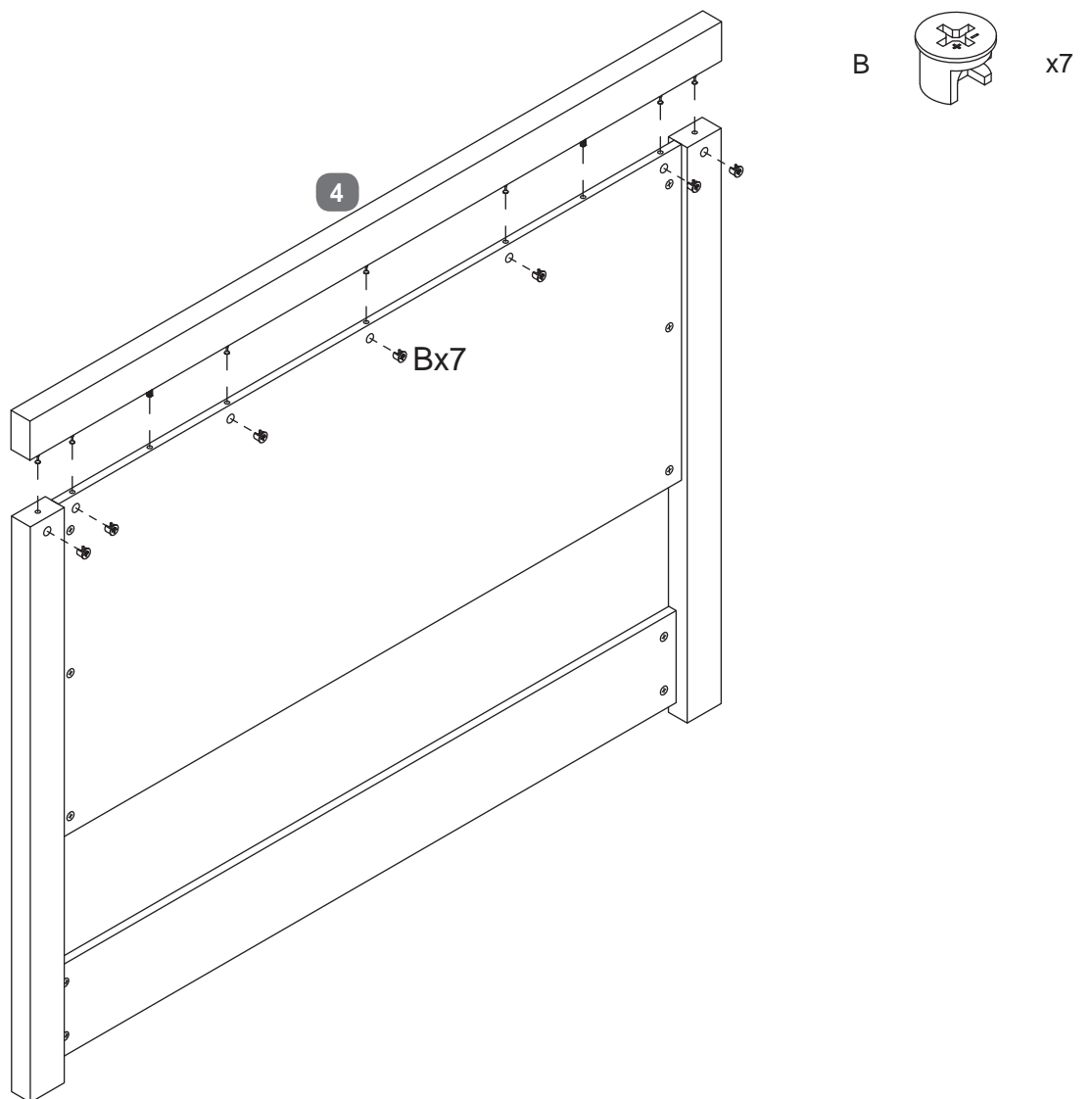
A  x17



Stage  
3

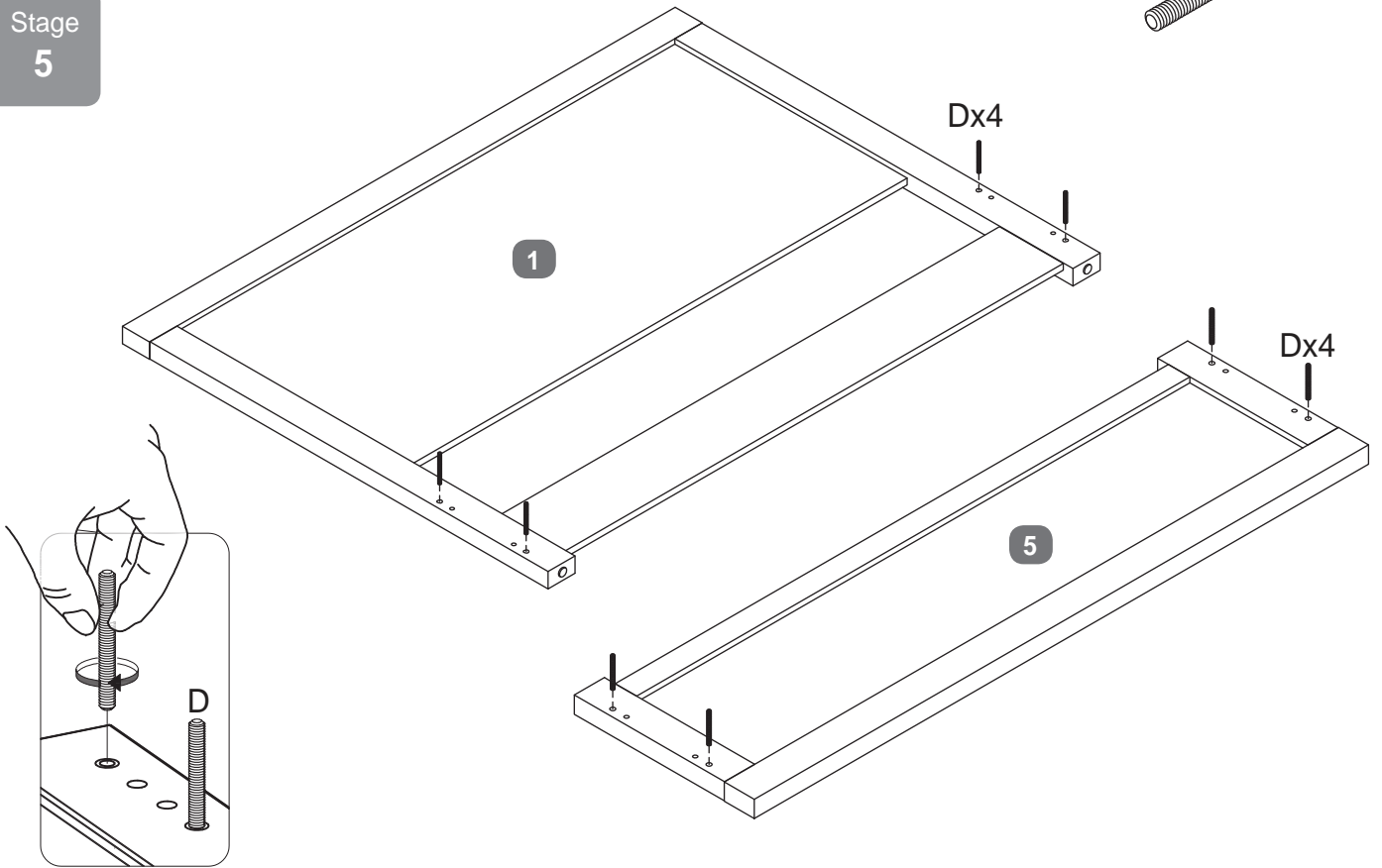
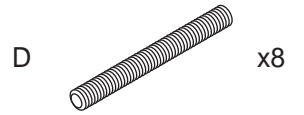


Stage  
4

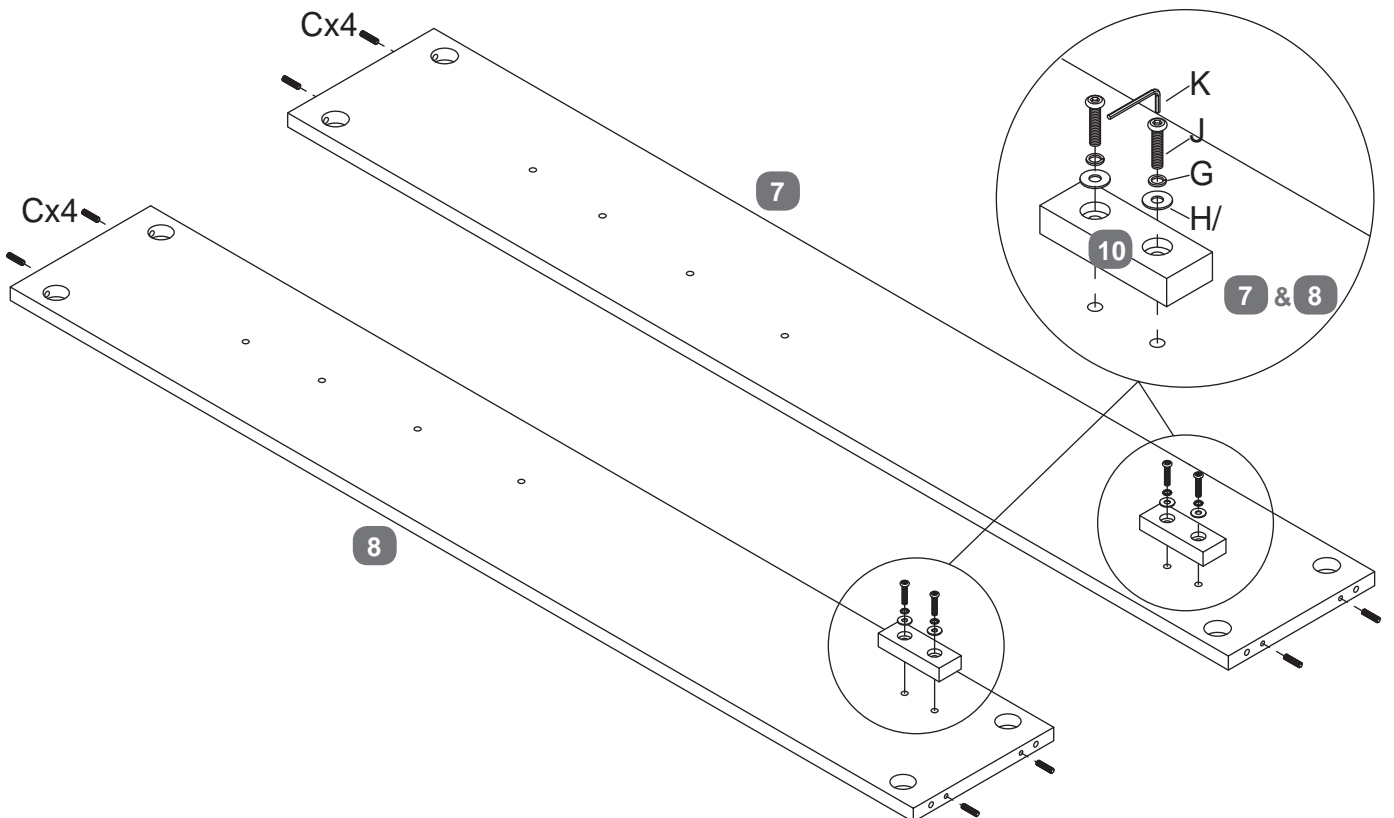
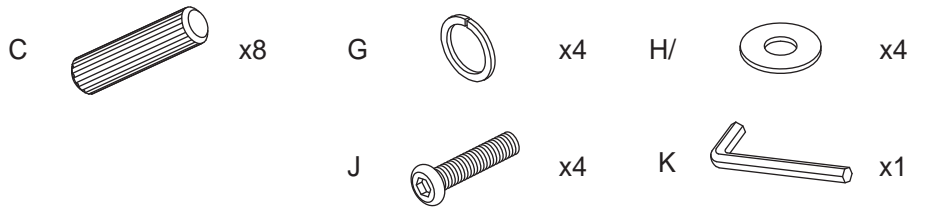


# Bed Assembly - Use Pack B

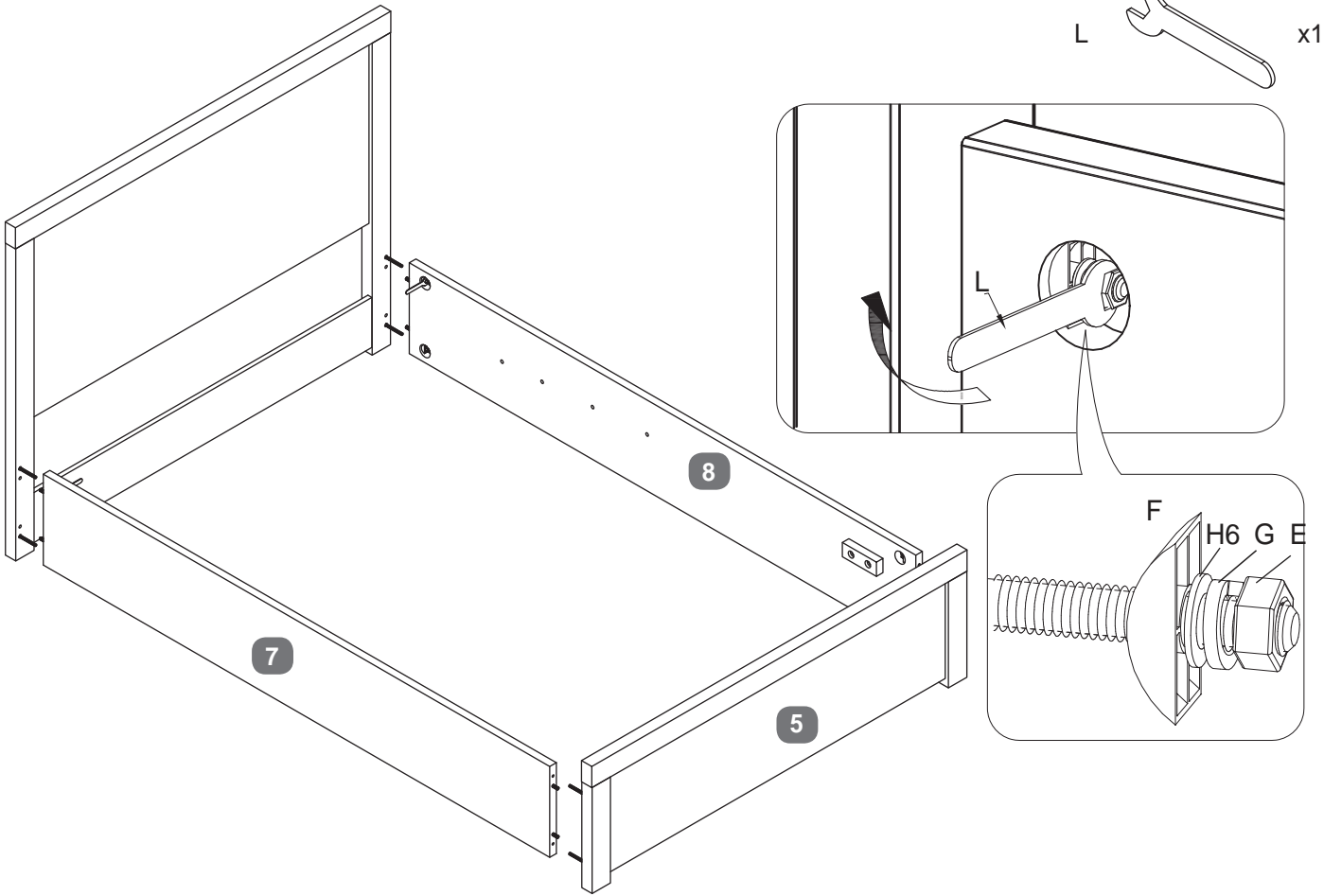
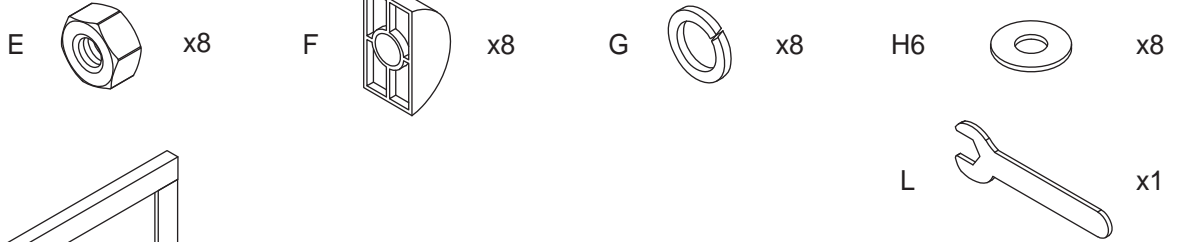
Stage  
5



Stage  
6

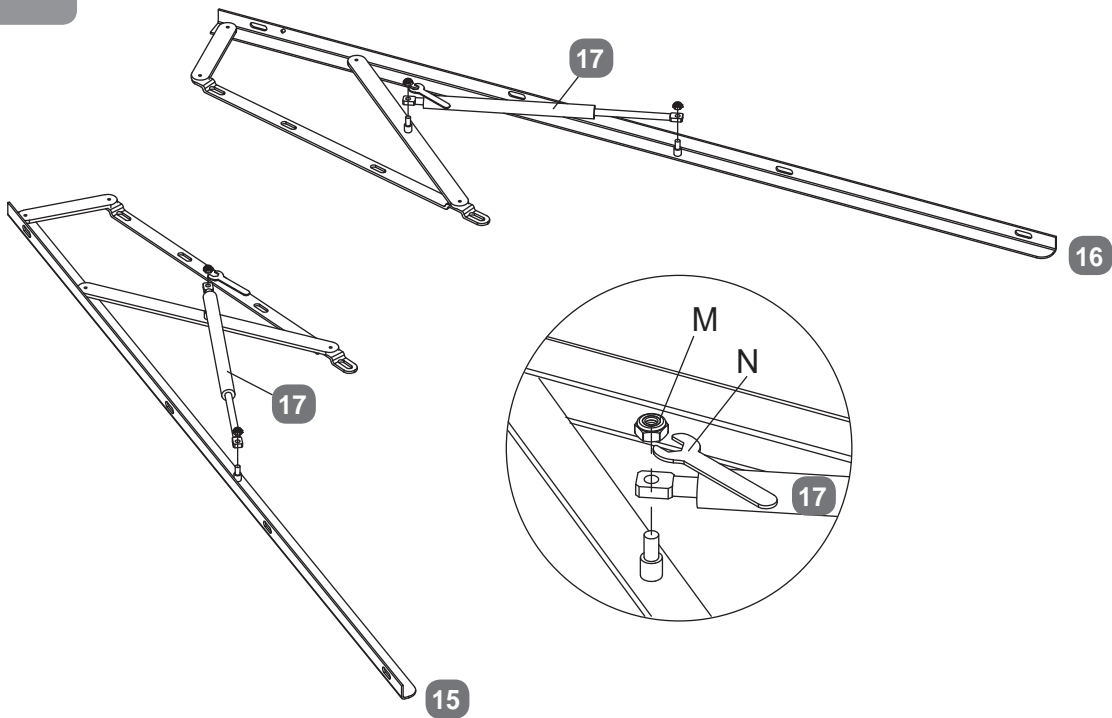
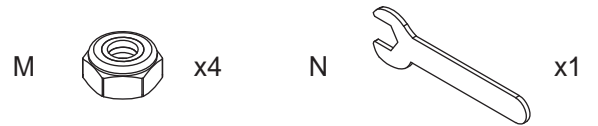


Stage  
7



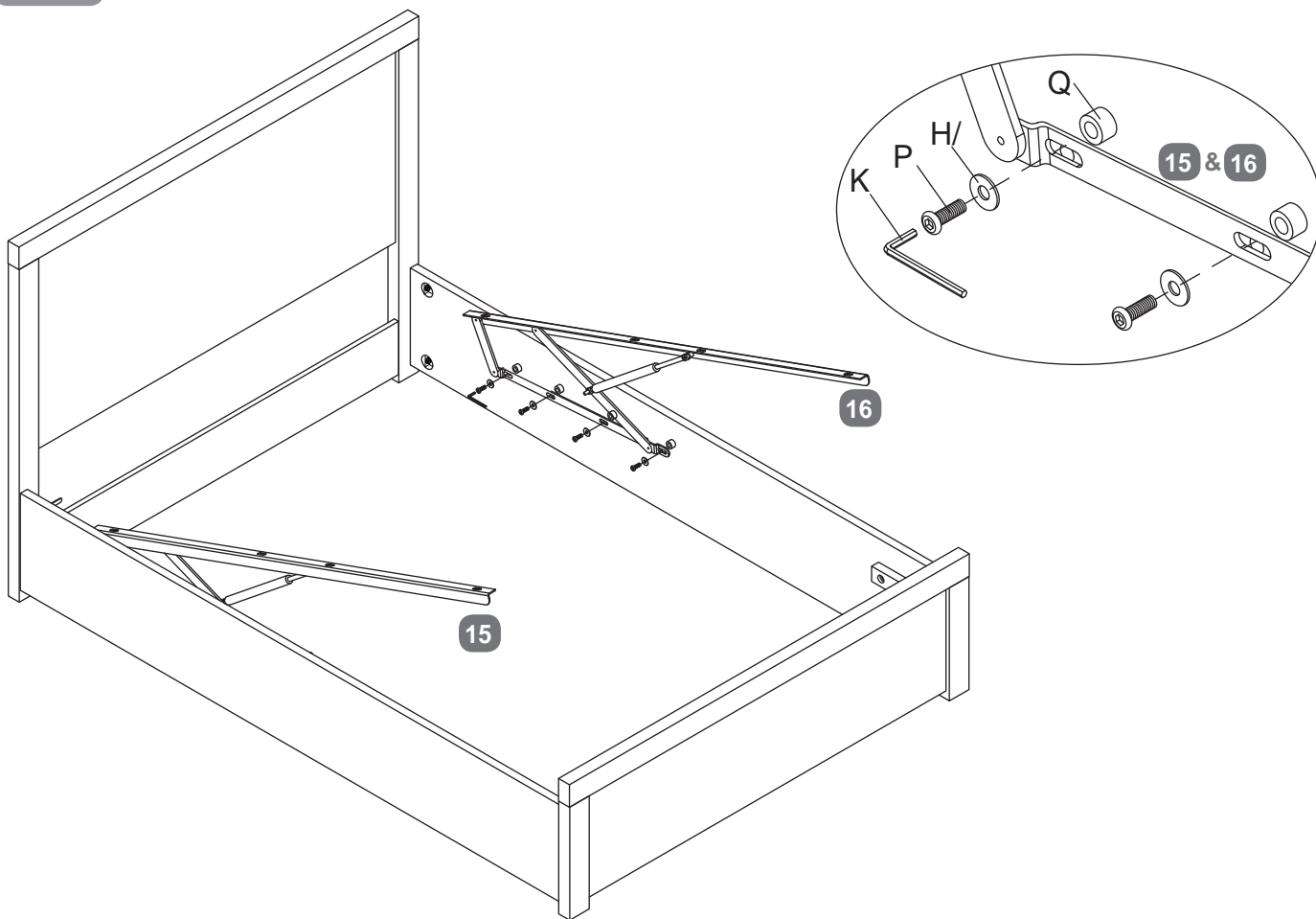
Metal Slat frame Assembly - Use Pack C

Stage  
8



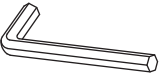
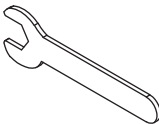
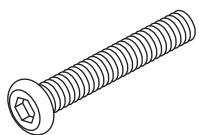


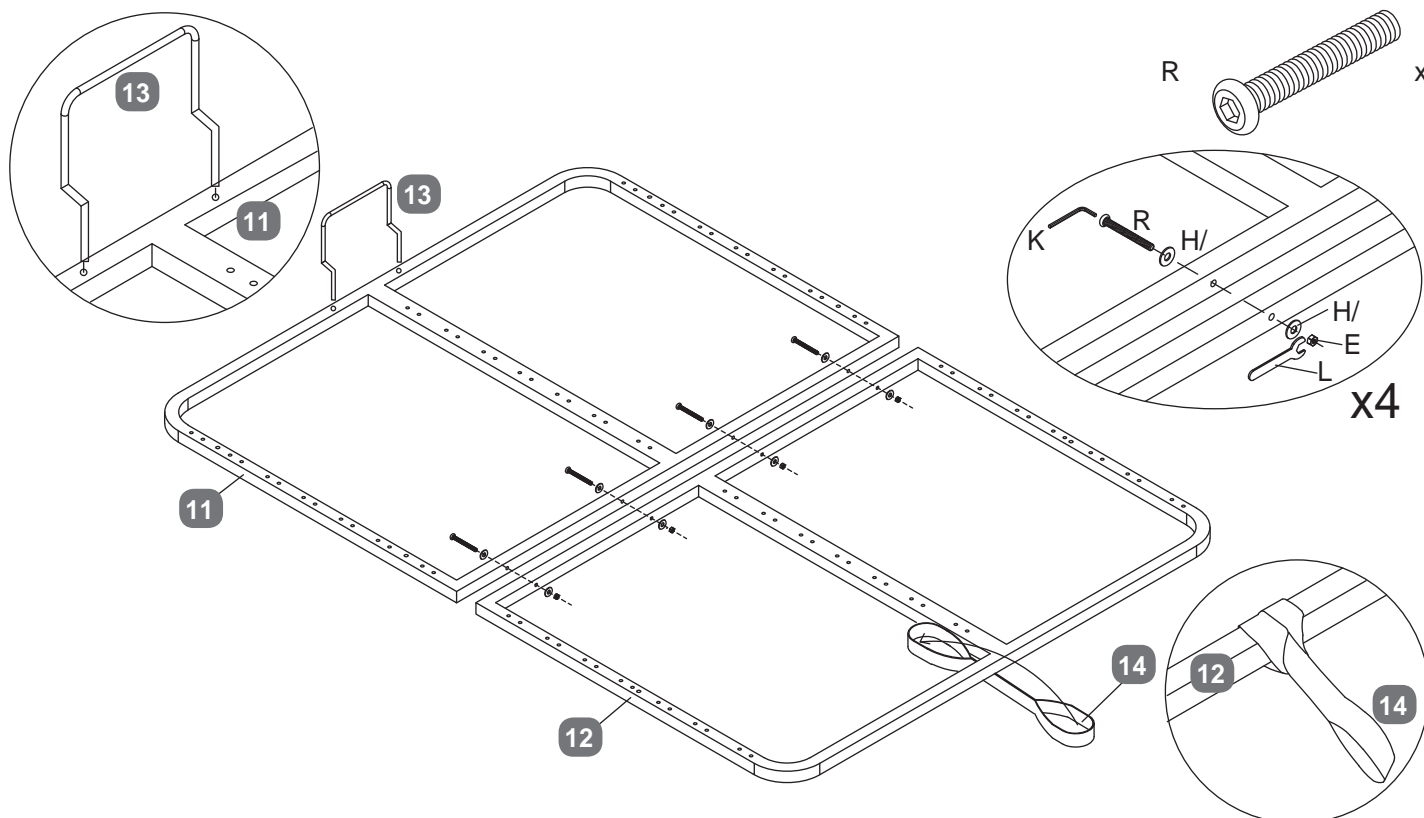
Stage  
9

- H/  x8    K  x1    P  x8    Q  x8



Stage  
10

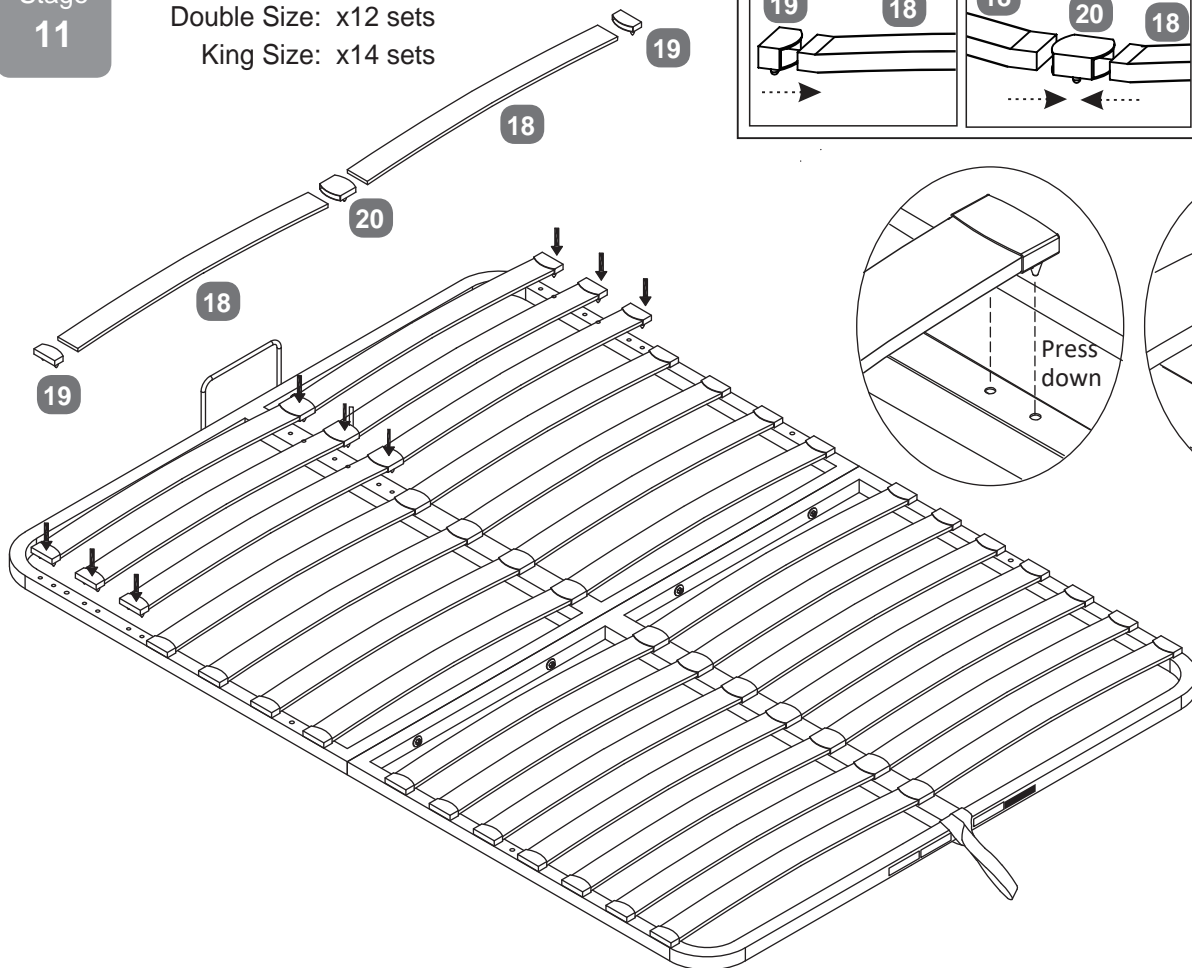
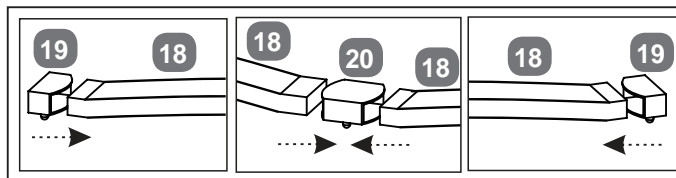
- E  x4    H/  x8    K  x1    L  x1    R  x4





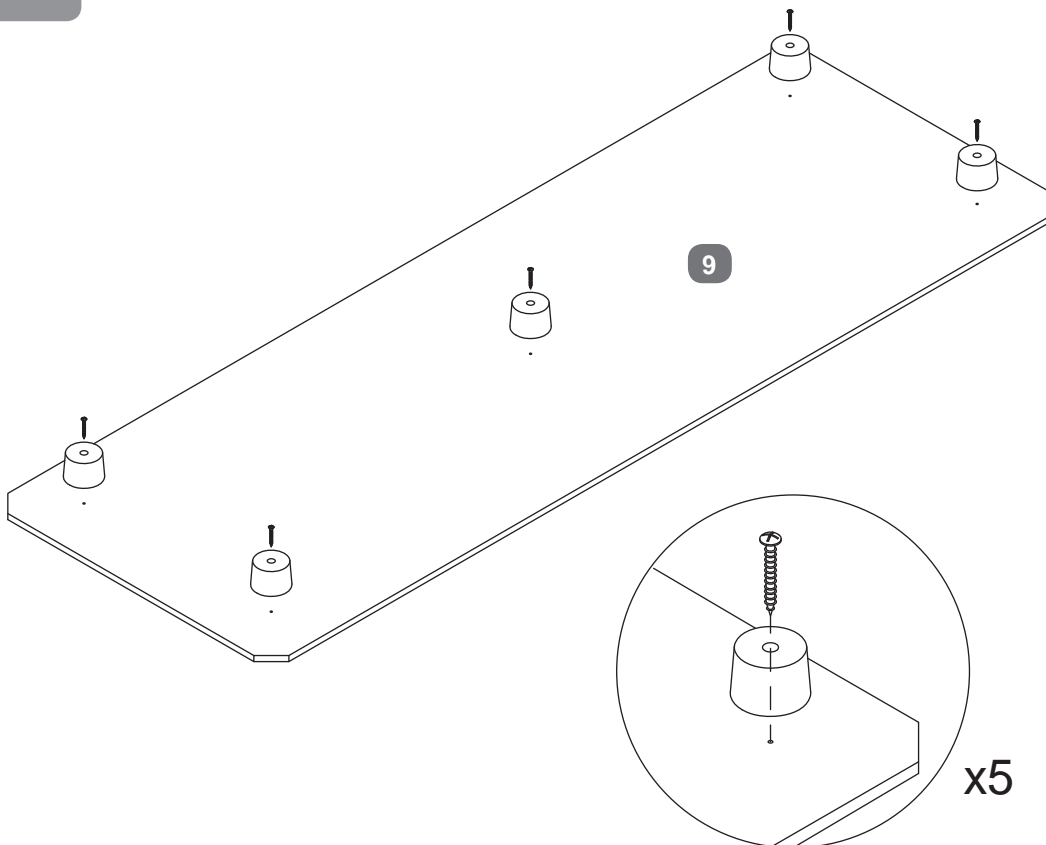
Stage  
11

Double Size: x12 sets  
King Size: x14 sets



Stage  
12

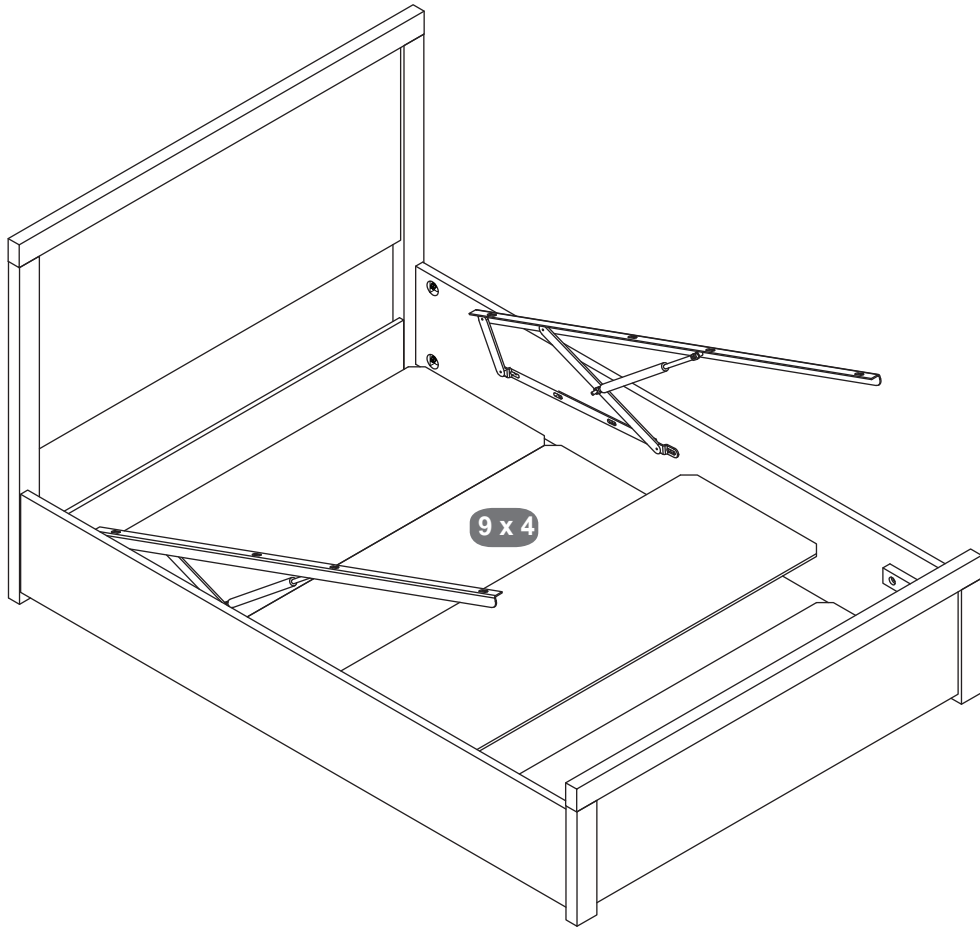
x4



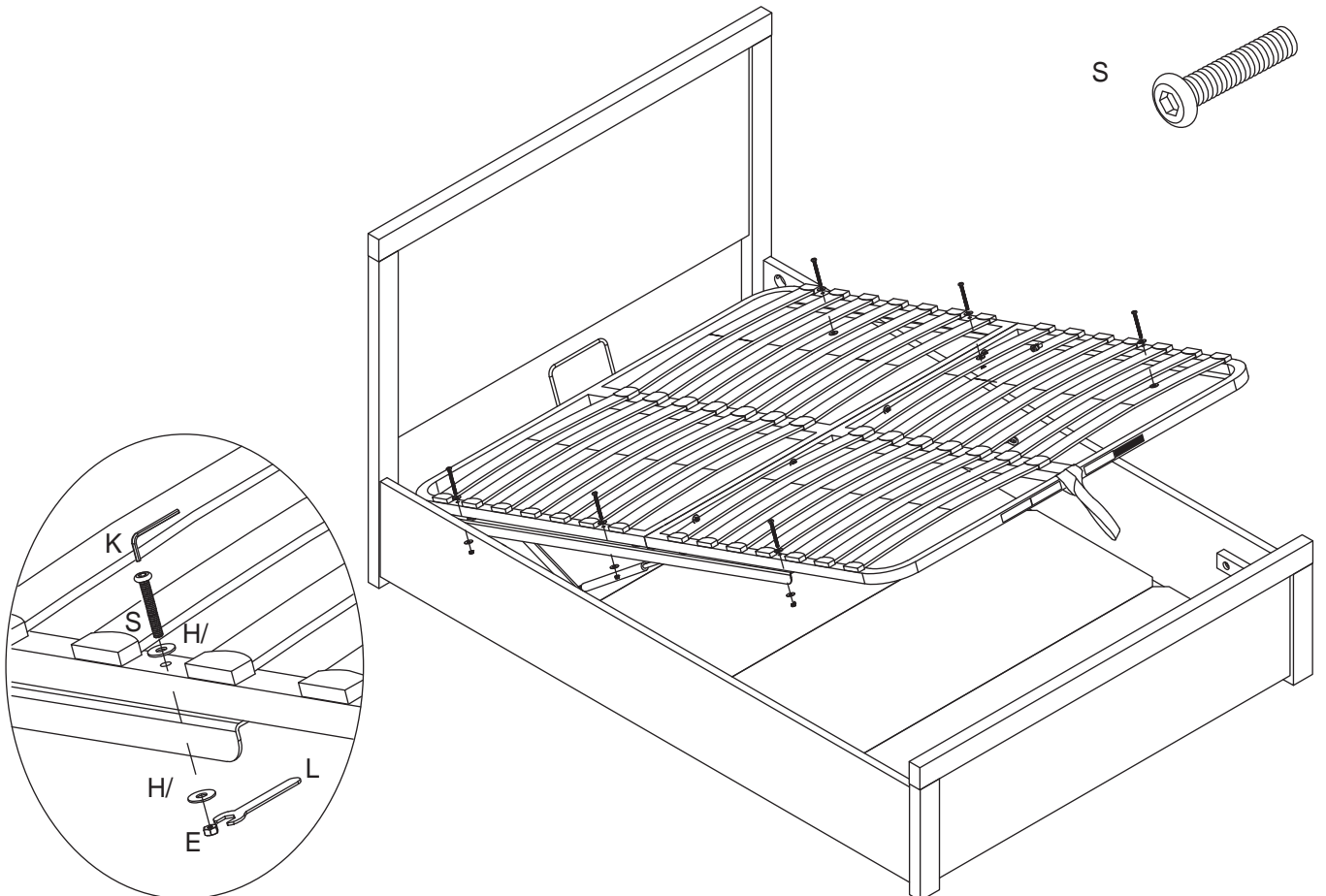
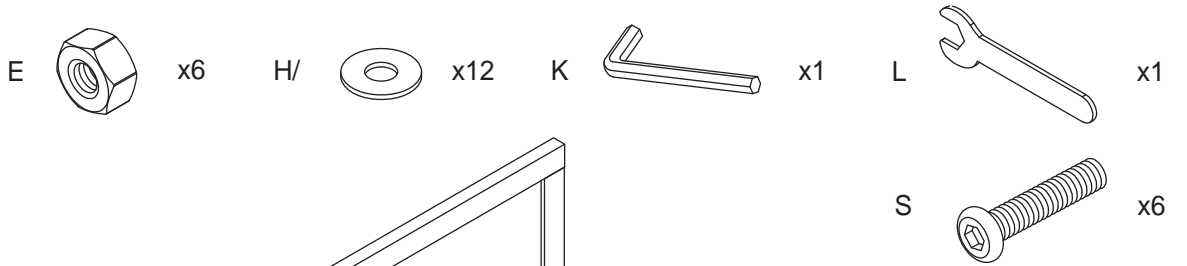
T  x20

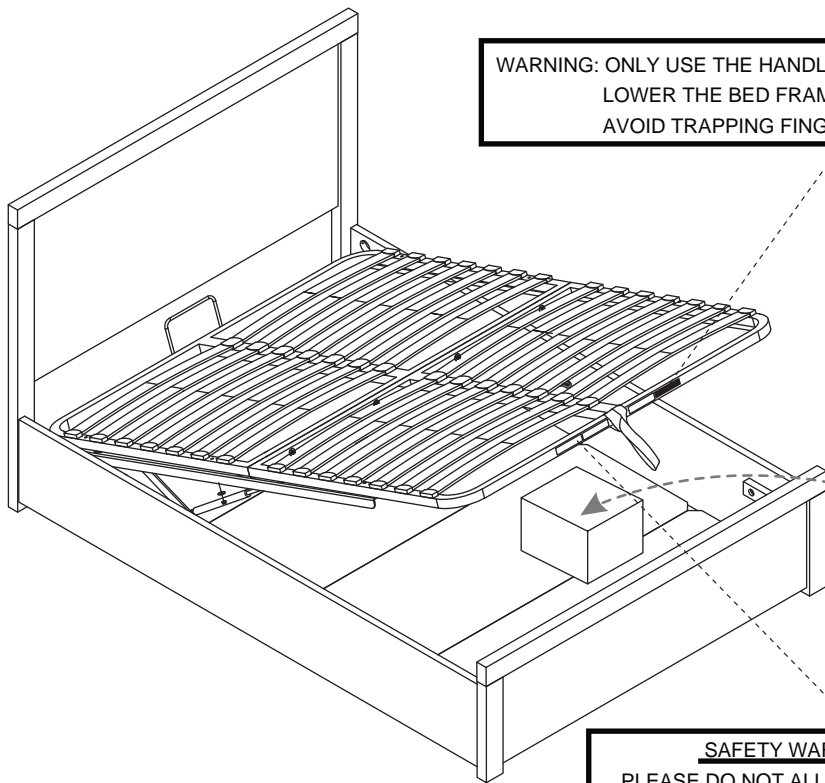
U  x20

Stage  
13



Stage  
14





**WARNING: ONLY USE THE HANDLE TO LIFT & LOWER THE BED FRAME TO AVOID TRAPPING FINGERS!**

**TO AVOID ACCIDENTS  
TO ACCESS THE STORAGE AREA THE OTTOMAN FRAME  
MUST BE FULLY OPENED AND THEN FULLY CLOSED AFTERWARDS**

Note: Be very careful what you store under the bed - the top of an item, like a suitcase or a box must not touch the slats or they may be damaged. Maximum storage height is 215mm.

**SAFETY WARNING**  
PLEASE DO NOT ALLOW CHILDREN OR PETS INSIDE THE STORAGE AREA.

**SAFETY WARNING**  
PLEASE BE CAREFUL WHEN LIFTING. ONLY LIFT WITH MATTRESS ON TOP. TO BE OPERATED BY ADULTS ONLY.

**Overall Dimensions (LWH mm)**

Double: 2010 x 1430 x 1100

King: 2110 x 1580 x 1100

**Internal Dimensions (LWH mm)**

Double: 1930 x 1370 x 215

King: 2030 x 1520 x 215

**Distance between slats / middle two slats (mm)**

Double: 90 / 114

King: 75 / 96

**Slat Dimension (mm)**

Double: 670 x 53 x 9

King: 745 x 53 x 9

