

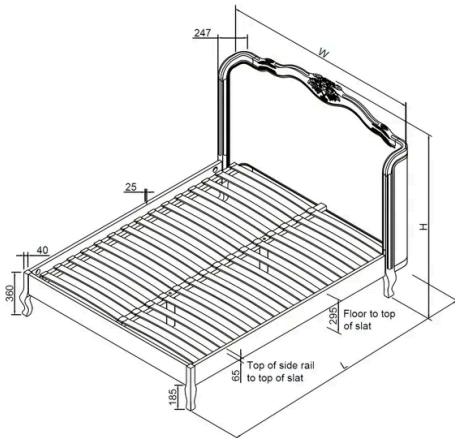
Instructions by Time4Sleep Products

Versailles Winged Upholstered Bed Frame

Assembly instructions for Versailles Winged Upholstered Bed Frame by Time4Sleep

Product Information

Versailles Winged Upholstered Bed Frame



Description

The Versailles Standard Bed features a classic, elegant headboard and sturdy footboard design, supported by durable side rails and a central support system for enhanced stability. It includes strong wooden slats with secure plastic caps to ensure long-lasting comfort and support. Available in Double, King, and Super King sizes, it offers timeless style and solid construction for a restful night's sleep.

Product specifications

	Double	King Size	Super King
Width	149.5 cm	164.5 cm	194.5 cm
Length	202 cm	212 cm	212 cm
Height	129 cm	129 cm	129 cm

SKU

Ver46WingCrm, Ver50WingCrm, Ver60WingCrm

Before you start

- Please read this sheet prior to assembly to familiarise yourself with the various stages of construction. Carefully open the pack supplied and check the contents against the parts and fittings check list.



Instructions by Time4Sleep Products

Versailles Winged Upholstered Bed Frame

- Do not destroy any of the packaging until you are certain that you have all the necessary parts for the assembly.
- Please ensure that the packaging is disposed of in a safe environmentally friendly way.
- **Caution:** There are small components used in the construction of this unit. These loose items should be kept away from young children during assembly, to avoid danger of choking.

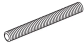



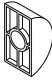

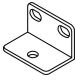

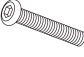

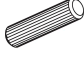
Care & Maintenance

In the unlikely event of missing or damaged parts, please contact your retailer. Please have this guide at hand quoting the part code reference numbers shown when requesting spare or replacement parts.

General Hints & Tips

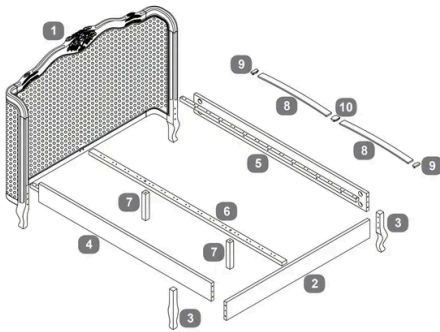
- Two person assembly
- Please retain your assembly instruction and tools provided for future use. Periodically check that all bolts are still tight.

Tools

A - Threaded stud (M8x80mm)	12		B - Nut for M8 stud	12	
C - Spring washer	12		D - Flat washer (18 for Double & King, 24 for Super King)	18	
E - Half-moon bracket	12		F - Spanner	1	
G - "L" Shape Bracket (2 for Double & King, 4 for Super King)	2		H - Bolt (M8x20mm) (6 for Double & King, 12 for Super King)	6	
J - Bolt (M8x35mm)(2 for Double & King, 4 for Super King)	2		K - Allen Key	1	
L - Dowel (Ø8x30mm)	6				



Parts

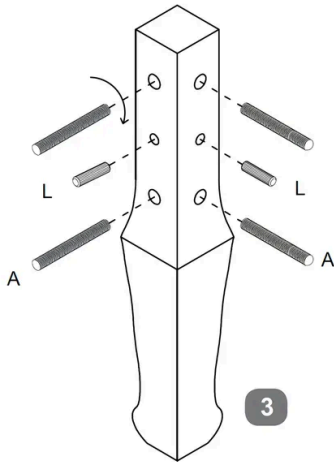


1	Headboard	1 piece(s)
2	Footboard	1 piece(s)
3	Footboard Legs	2 piece(s)
4	Side Rail - LH	1 piece(s)
5	Side Rail - RH	1 piece(s)
6	Centre Support Rail (1 for Double & King, 2 for Super King)	1 piece(s)
7	Centre Support Rail Legs (2 for Double & King, 4 for Super King)	2 piece(s)
8	Wooden Slats (28 for Double, 30 for King, 45 for Super King)	28 piece(s)
9	Single Plastic Caps (28 for Double, 30 for King, 30 for Super King)	28 piece(s)
10	Double Plastic Caps (14 for Double, 15 for King, 30 for Super King)	14 piece(s)



Steps (9)

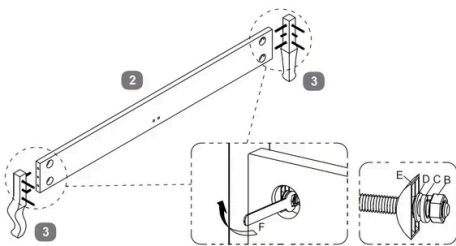
1. Prepare the Footboard Legs



1. Insert 4 threaded studs (A) into the designated holes on one footboard leg.
2. Insert 2 dowels (L) into the remaining holes.
3. Ensure all hardware is securely in place.

Repeat the process for the other footboard leg

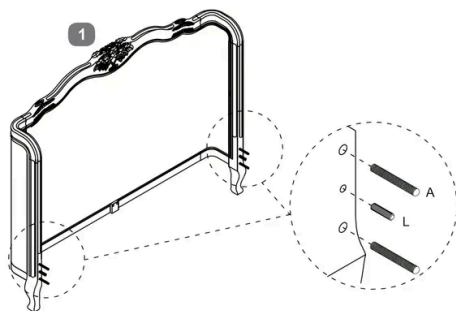
2. Attach the Legs to the Footboard



1. Align the footboard (2) with the pre-installed threaded studs on the footboard legs (3).
2. Secure each connection using a half-moon bracket (E), flat washer (D), spring washer (C), and nut (B).
3. Tighten the nuts using the spanner (F) to ensure a firm attachment.

Repeat for both sides.

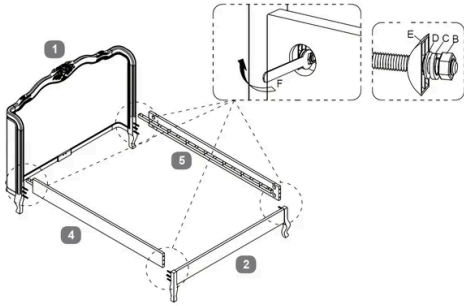
3. Prepare the Headboard



1. Insert 2 threaded studs (A) into the designated holes on each side of the headboard (1).
2. Insert 1 dowel (L) into the remaining hole on each side.

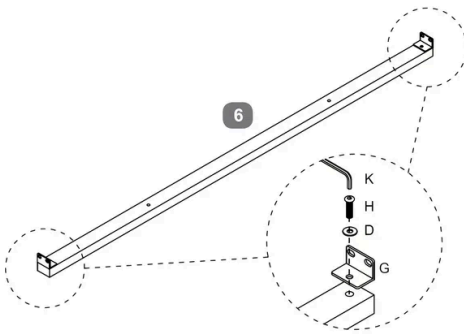


4. Attach the Side Rails



1. Align the left side rail (4) and right side rail (5) with the pre-installed threaded studs on the headboard (1) and footboard (2).
2. Secure each connection using a half-moon bracket (E), flat washer (D), spring washer (C), and nut (B).
3. Tighten all nuts using the spanner (F) to ensure a firm attachment.

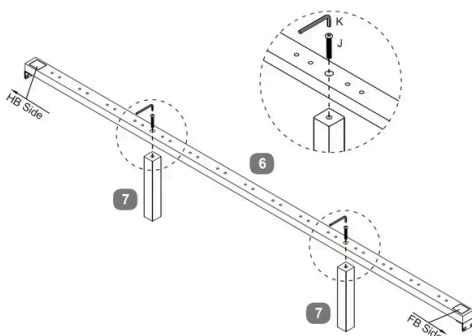
5. Attach the L-Shape Brackets to the Centre Support Rail



1. Position the "L" shape brackets (G) at both ends of the centre support rail (6).
2. Secure each bracket using bolts (H) and washers (D).
3. Tighten the bolts with the Allen key (K) to ensure a firm connection.

Note: If assembling the Super King size, repeat this step for both centre support rails (6).

6. Attach the Centre Support Rail Legs



1. Align the centre support rail legs (7) with the designated holes on the centre support rail (6).
2. Secure each leg using bolts (J) and tighten them with the Allen key (K).
3. Ensure the legs are firmly attached to provide proper support.

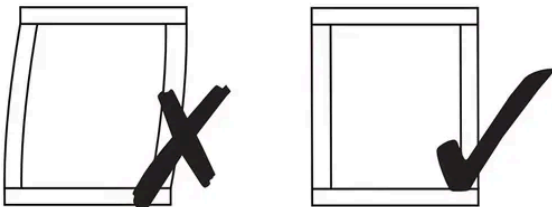
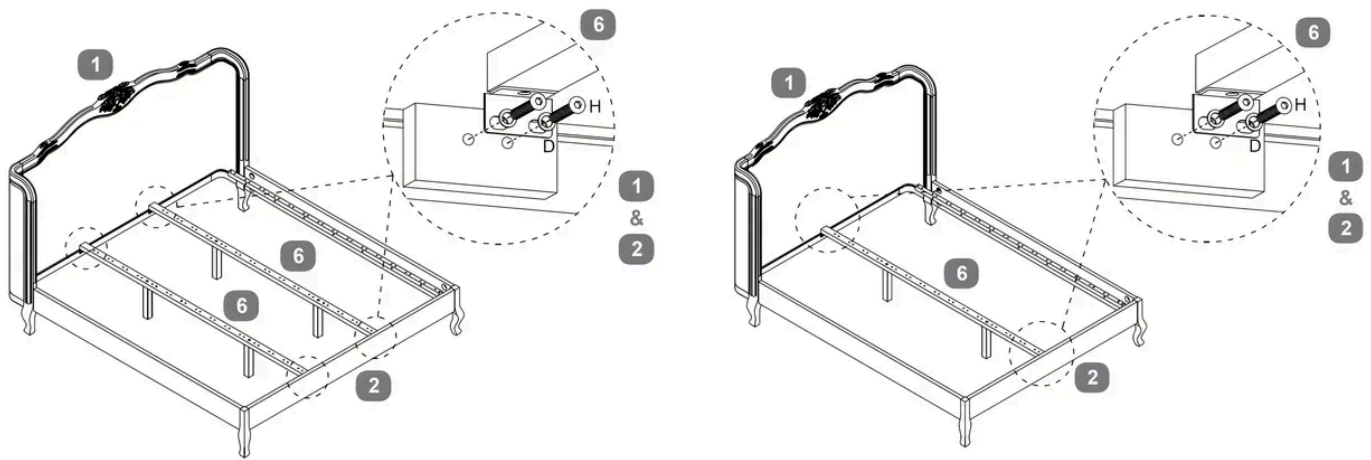
Note: If assembling the Super King size, attach four centre support rail legs (7) instead of two, as there are two centre support rails (6).



7. Install the Centre Support Rail onto the Bed Frame

1. Position the centre support rail (6) so that the L-shape brackets (G) align with the pre-drilled holes on the headboard (1) and footboard (2).
2. Secure the rail by inserting and tightening the bolts and washers into the brackets using the Allen key (K).

Note: Make certain the bed is squared up as shown in the diagram then tighten all bed assembly bolts 100%.



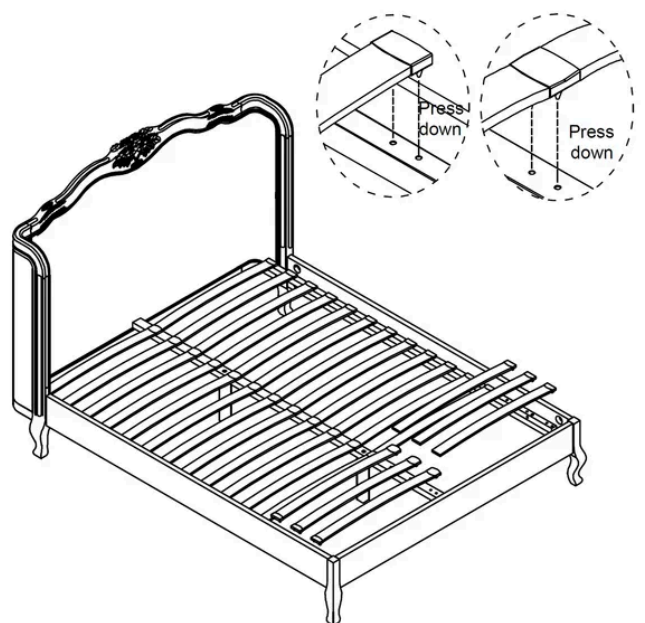
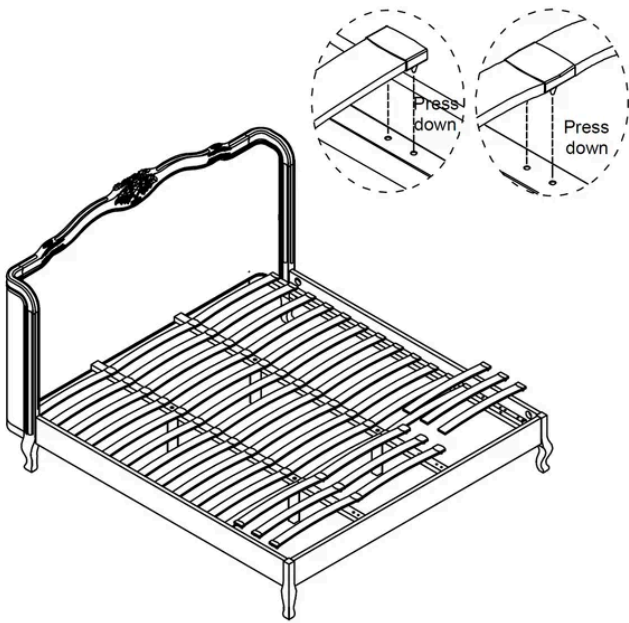
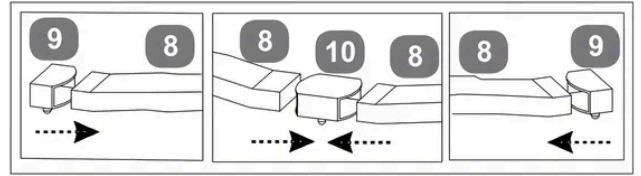
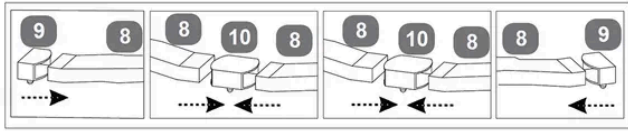
8. Install the Slats

1. Attach Single Plastic Caps (9) to the ends of the Bentwood Slats (8) that will be inserted into the Side Rails (4 & 5).
2. Attach Double Plastic Caps (10) to the ends of the slats that will be inserted into the Centre Support Rail (6).
3. Insert each end of the slats into the designated slots on the Side Rails (4 & 5) and Centre Support Rail (6).
4. Press down firmly to ensure each slat is securely in place.

Number of slats for each size:

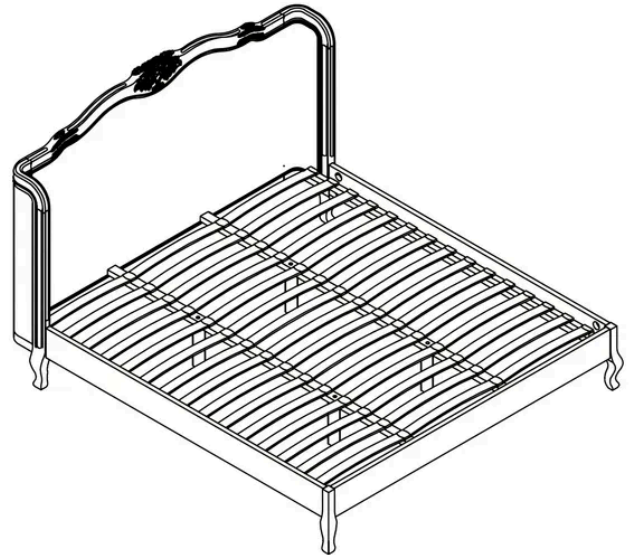
- **Double:** 28 Bentwood Slats / 28 Single Plastic Caps / 14 Double Plastic Caps
- **King:** 30 Bentwood Slats / 30 Single Plastic Caps / 15 Double Plastic Caps
- **Super King:** 45 Bentwood Slats / 30 Single Plastic Caps / 30 Double Plastic Cap





9. Final Check

- Verify that all slats are securely fastened and evenly spaced.
- Check for any loose connections and tighten the screws if necessary



Instructions by Time4Sleep Products

Versailles Winged Upholstered Bed Frame