



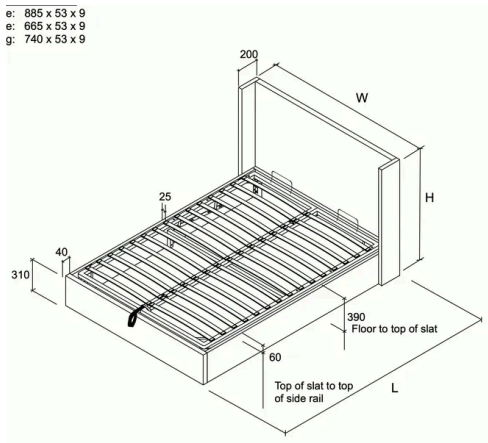
Instructions by Time4Sleep Products

**Upholstered Ottoman Winged Bed Frame**

Assembly instructions for the Upholstered Ottoman Winged Bed Frame

**Product Information**

**Upholstered Ottoman Winged Bed Frame**



**Description**

Transform your bedroom into a sophisticated sanctuary with the Opulence Winged Ottoman Bed, where contemporary design meets practical storage solutions.

**Product specifications**

	<b>Single</b>	<b>Double</b>	<b>King</b>
Overall Dimensions (LWH mm)	2060 x 1050 x 1000	2060 x 1500 x 1000	2160 x 1650 x 1000
Storage Dimensions (LWH mm)	1930 x 925 x 205	1930 x 1375 x 205	2030 x 1525 x 205
Ottoman Piston Strength	600N	800N	800N
Distance between slats (mm)	70	70	68
Slat Dimension (mm)	885 x 53 x 9	665 x 53 x 9	740 x 53 x 9

**Before You Start**



Instructions by Time4Sleep Products

Upholstered Ottoman Winged Bed Frame

- **PLEASE READ** this sheet prior to assembly to familiarise yourself with the various stages of construction. Carefully open the pack supplied and check the contents against the parts and fittings check list.
- Do not destroy any of the packaging until you are certain that you have all the necessary parts for the assembly.
- Please ensure that the packaging is disposed of in a safe environmentally friendly way.
- **CAUTION:** There are small components used in the construction of this unit. These loose items should be kept away from
- young children during assembly, to avoid the danger of choking.

**IMPORTANT:** BEFORE STARTING TO ASSEMBLE THE BED - PLEASE READ THESE INSTRUCTIONS CAREFULLY.

### Moving and operating the bed


- Before moving the slat frame, place the mattress on the slats.
- Without a mattress in place, the speed of movement is quick and may cause injury so great care is needed.
- Carefully lower the frame with the fabric hand-strap ensuring the frame sides are aligned with the side rails; there should be an even gap on each side.
- If not aligned, check bed is still square and if it is, but gaps are still not even, re-align.
- Depending on the weight of the mattress, the rising speed will vary so be careful until you get used to the speed.
- Always use the hand-strap to lift or lower the frame - keep fingers well away from the moving parts.
- When fully assembled and the mattress in position, please raise & lower the ottoman 4/5 times to ensure the gas pistons are fully lubricated


### Assembly Warnings


- Make sure the hooks are facing upward and toward the inside of the bed frame.
- Ensure the frame is square before fully tightening in the next steps.
- Ensure all brackets are evenly positioned before tightening.
- Check that all corners are aligned before final tightening. Ensure both mechanisms are installed symmetrically before tightening.
- Ensure the cover is evenly spread with no folds or creases.
- Ensure the cross bar is centered and securely fixed.
- Ensure the slat frame is centered and properly aligned before tightening.
- Do not over-tighten the nut, as the piston must be able to move smoothly.
- Do not fully tighten the bolts until the frame is correctly aligned.
- Do not over-tighten the nut, as the piston must move smoothly during operation.





## Tools

Bed Assembly: A - Bolt (M8x25mm) 36 


Bed Assembly: C - Bolt (M8x50mm) 4 


Bed Assembly: D - Threaded Stud(M8x60) 6 

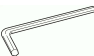
Bed Assembly: E - Flat Washer M8 6 


Bed Assembly: F - Nut For M8 Bolt 6 


Bed Assembly: H - Spring Washer M8 6 


Bed Assembly: K - Corner Bracket - Left 2 


Bed Assembly: L - Corner Bracket - Right 2 

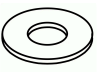
Bed Assembly: M - Allen Key for M8 1 


Bed Assembly: P - Spanner for M8 1 


Metal Slat Frame Assembly: A - Bolt (M8x25mm) Double /King only 4 


Metal Slat Frame Assembly: B - Bolt (M8x35mm) 8 

Metal Slat Frame Assembly: C - Bolt (M8x50mm) 6 

Metal Slat Frame Assembly: E - Flat Washer M8 6 

Metal Slat Frame Assembly: G - Flanged Lock-Nut M8 10 

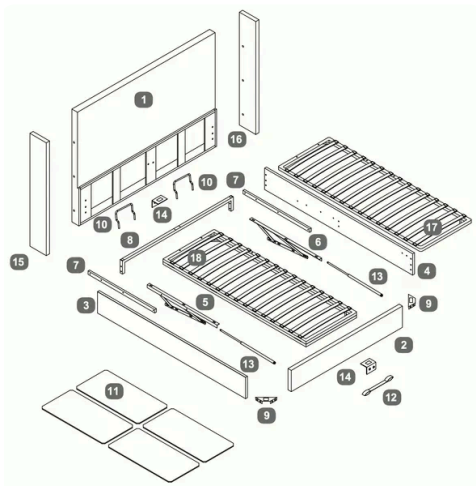
Metal Slat Frame Assembly: H - Spring Washer M8 6 

Metal Slat Frame Assembly: J - Metal Plate M8 Double/King only 2 



Parts

1	Headboard - Box 1	1
2	Footboard - Box 2	1
3	Side Rail - LH - Box 2	1
4	Side Rail - RH - Box 2	1
5	Gas-lift Mechanism x1 - Right - Box 3	1
6	Gas-lift Mechanism x1 - Left - Box 3	1
7	Spacer Rail For Gas Lift Mechanism -Box 3	2
8	`U' Shape Cross Bar - Box 3	1
9	Angled Corner Brackets - Box 3	
10	Mattress Stoppers Box 3 (1 Single, 2 Double / King)	2
11	Storage Base Board - Box 4	4
12	Fabric Handle - Box 3	1
13	Gas Lift Piston - Box 3	2



---

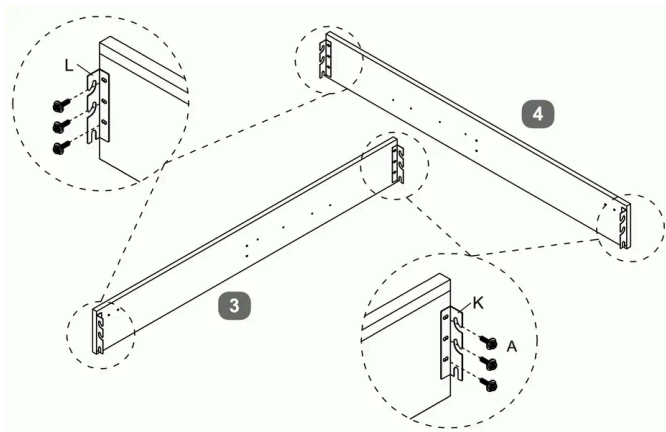
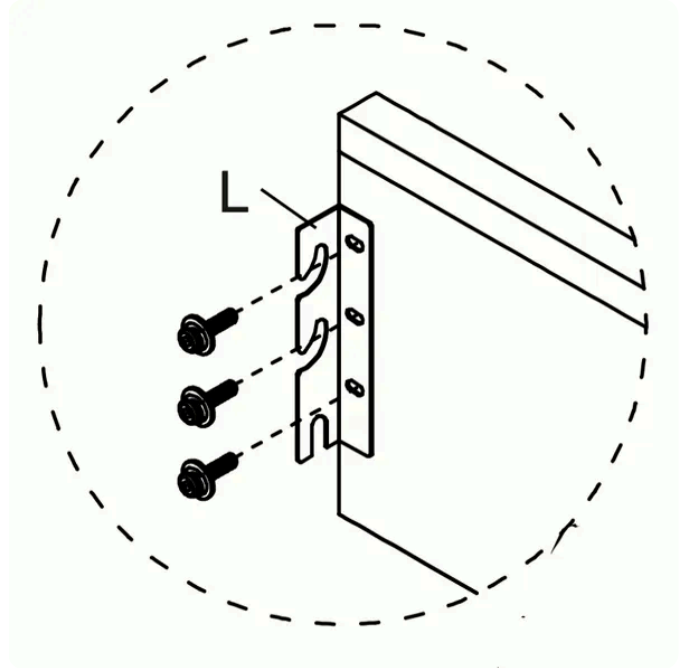
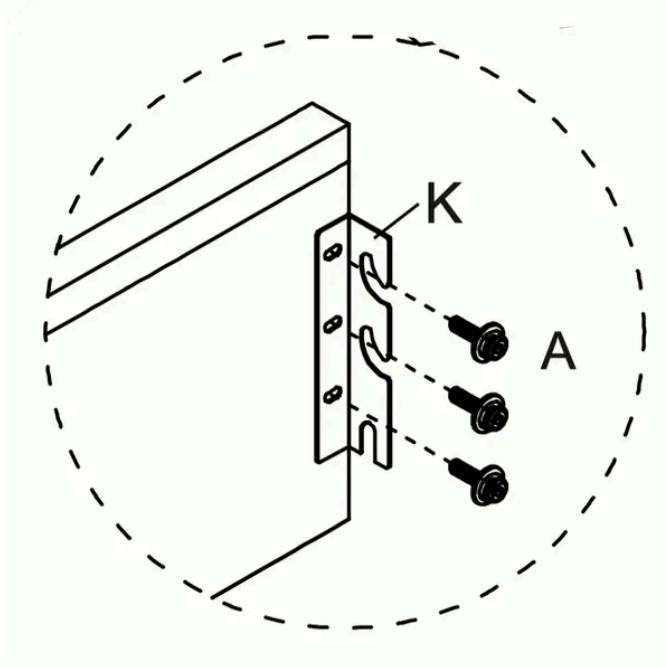
14	'L' Shape Bracket - Box 3	2
<hr/>		
15	Wing - Left - Box 5	1
<hr/>		
16	Wing - Right - Box 5	1
<hr/>		
17	Metal Slat Frame For Single - Box 3	1
<hr/>		
18	Metal Slat Frame For Double/King - Box 3	1

---



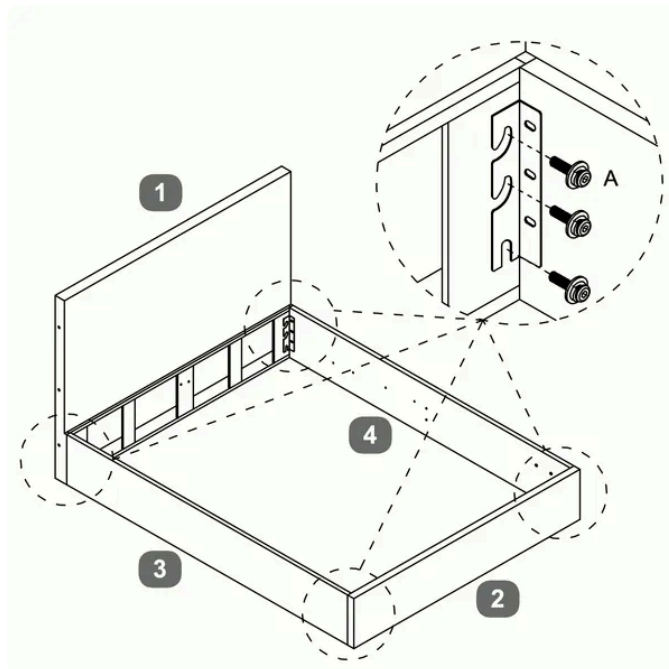
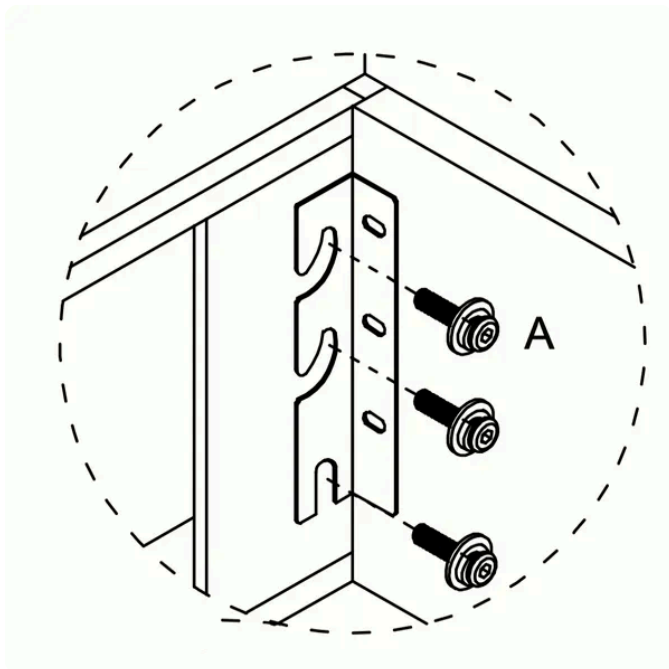
**Steps (13)****1. Side Rail Attachment and Securing**

- Attach the left and right Corner Brackets (L and K) to each end of the siderail. Use three bolt (M8x25mm) (A) on each bracket using Allen Key (M).



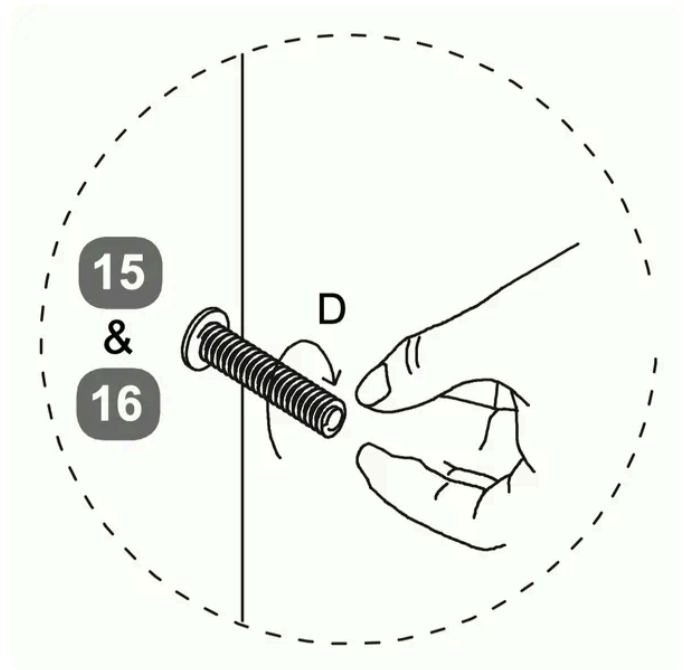
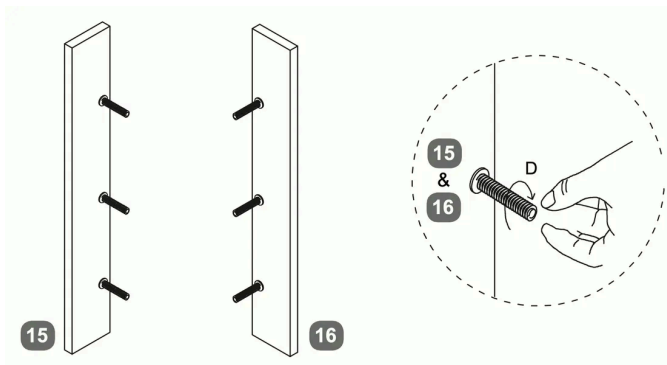
## 2. Rail and Bracket Assembly

- Insert three Bolt (M8x25mm) (A) in the pre drilled holes on the Headboard and Footboard.
- Attach the left and right side rails to the headboard and footboard by hooking the Headboard and Footboard bolts on to the Corner Bracket - Left (L) and Corner Bracket - Right (K).
- Making sure the frame is square before properly tightening each bolt.



### 3. Wing Fastening Procedure

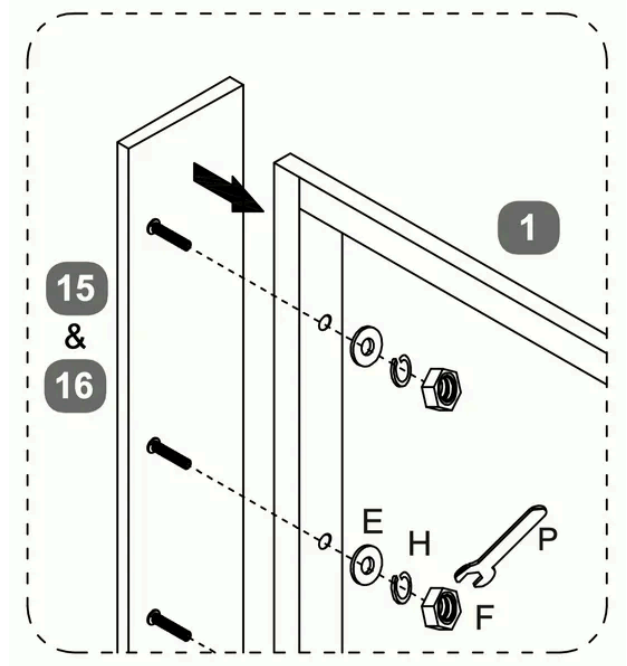
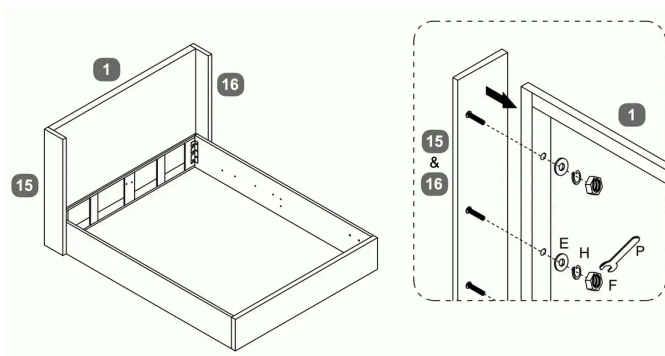
- Insert the Threaded Stud (M8x60) (D) into the pre-drilled holes on both the left and right wings (Part 15 and 16).
- Ensure the studs are securely fastened by rotating them clockwise until tight.



#### 4. Wing Installation and Securing

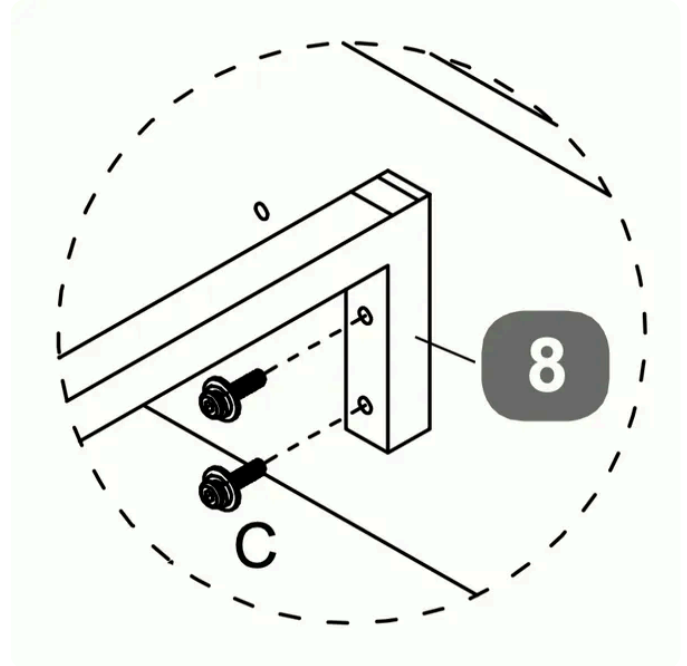
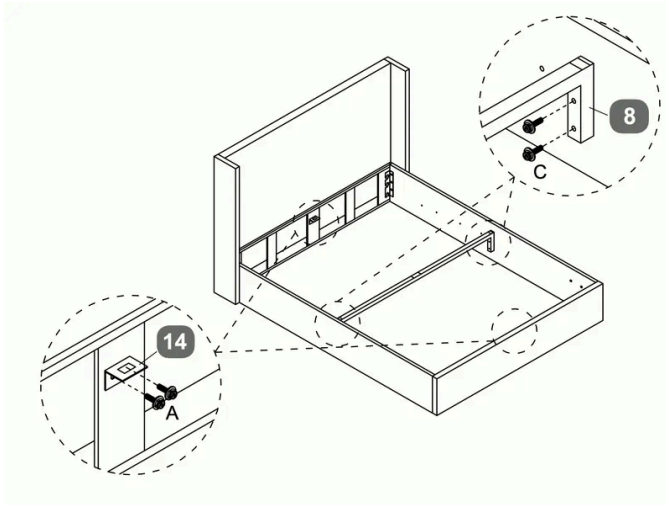
-Align the left wing (15) and right wing (16) with the headboard (1).

- Insert the bolts through the pre-drilled holes in the wings into the headboard.
- Secure each bolt with a Flat Washer (E), Spring Washer (H), and Nut (F).
- Tighten the nuts using the Spanner for M8 (P) to ensure the wings are firmly attached.



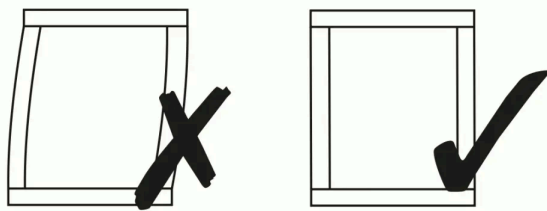
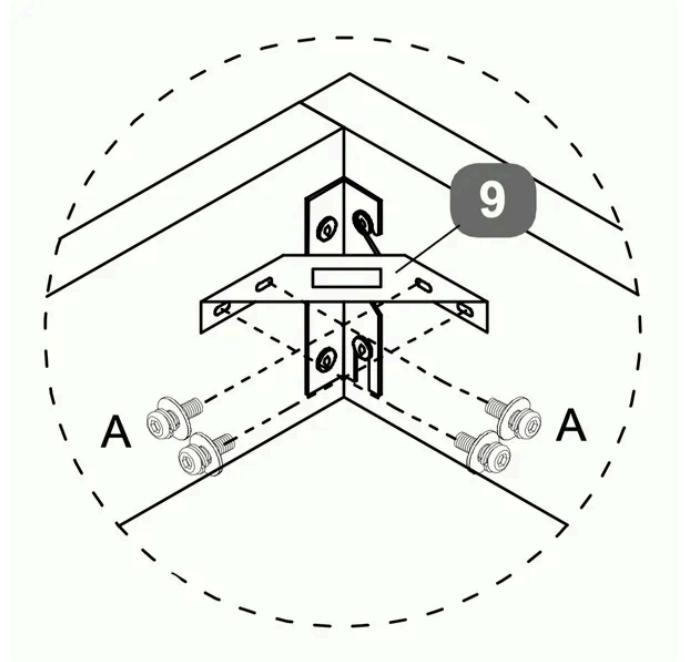
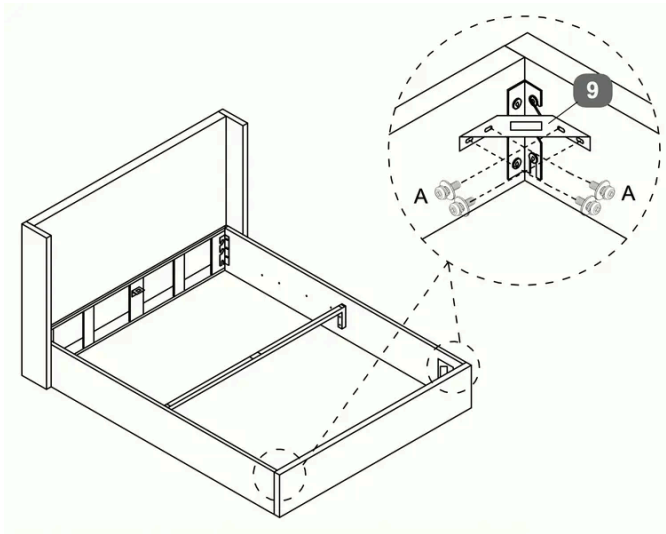
## 5. Cross Bar Stabilization Assembly

- Attach the 'U' Shape Cross Bar (8) to the side rails using two Bolt (M8x50mm) (C) on each side.
- Attach The 'L' Shaped Bracket (14) to the Headboard and the Footboard. Using two Bolt (M8X25mm) on each side.
- Ensure the bolts are securely fastened to provide stability to the frame.



## 6. Corner Bracket Installation and Stabilization

- Once you are sure that the frame is square. Attach the Angled Corner Brackets (9) to the corners of the bed frame where the side rails meet the footboard.
- Secure each bracket using two Bolt (M8x25mm) (A) on each side.
- Ensure all bolts are tightly fastened to maintain the stability of the frame.

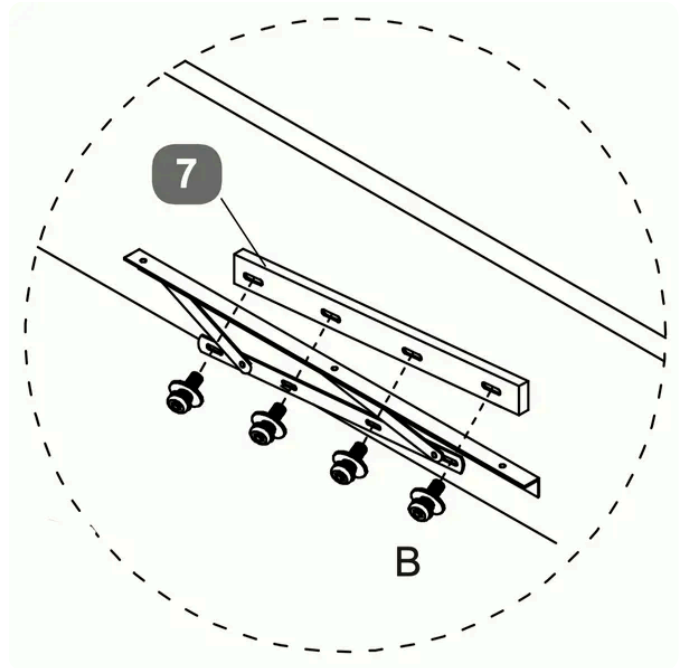
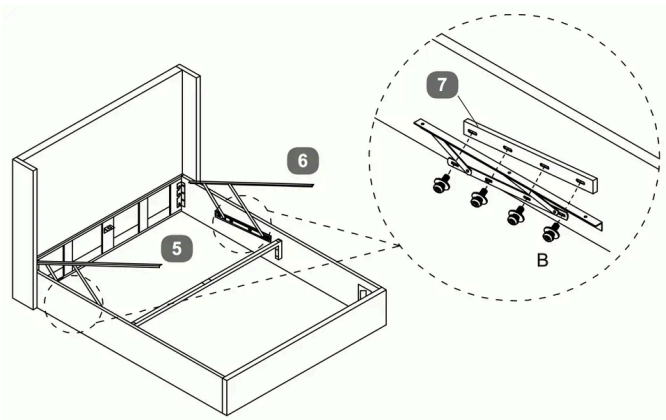


Make certain the bed is squared up as shown in the diagram then tighten all bed assembly bolts 100%.

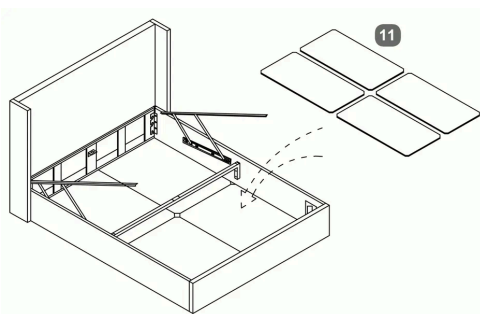


## 7. Gas Lift Mechanism Installation

- Attach the Gas-lift Mechanism (5) to the side rails (4) **making sure the Spacer Rail for Gas Lift Mechanism (7) is fitted in between the Mechanism and Siderail.**
- Secure the mechanism with Bolt (M8x35mm) (B) and ensure all bolts are tightly fastened to maintain stability and functionality of the gas-lift system.
- Complete on the other side with Parts 6, 7 and 3.



## 8. Base Board Placement and Alignment

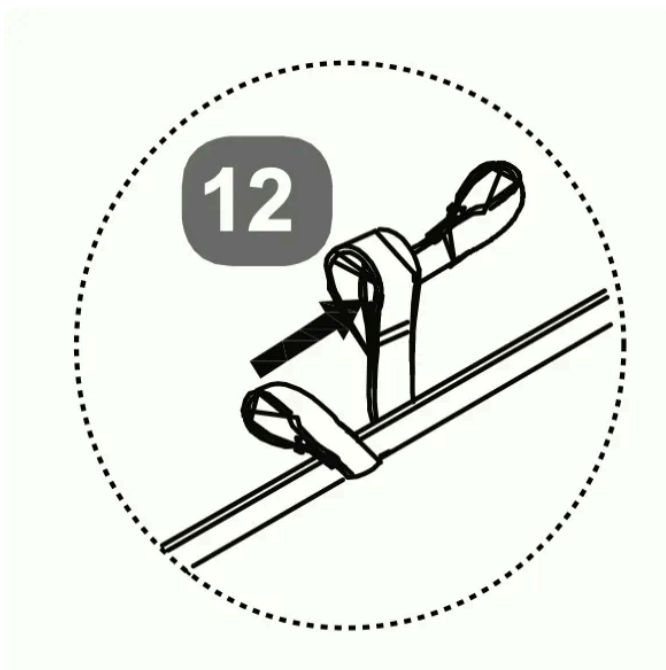
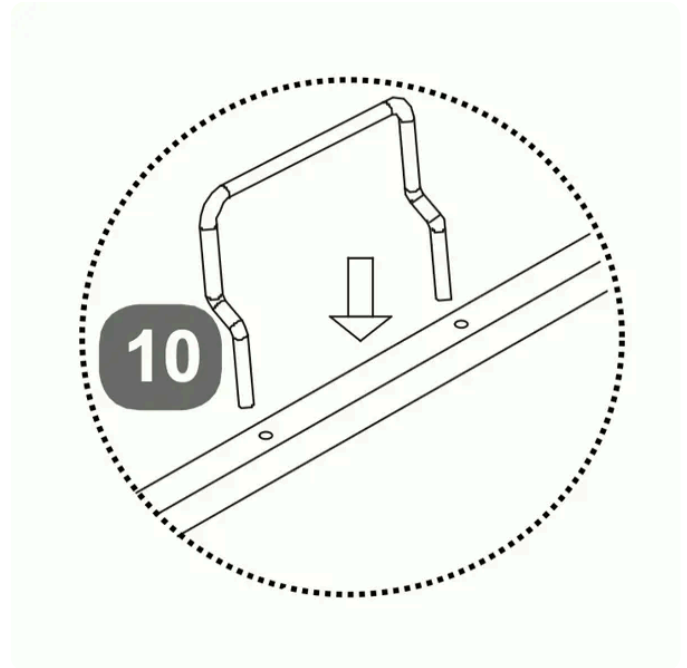
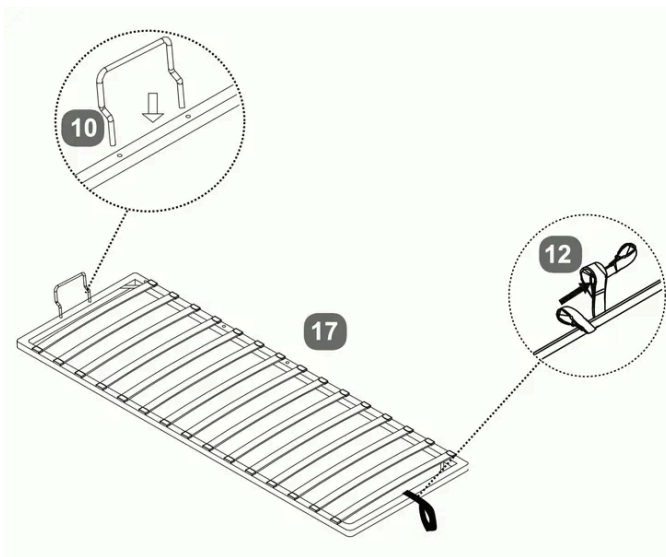


- Place the Storage Base Board (11) into the bottom of the bed frame, aligning each piece to cover the entire base area.
- Ensure the boards fit snugly within the frame to provide a stable surface for storage.



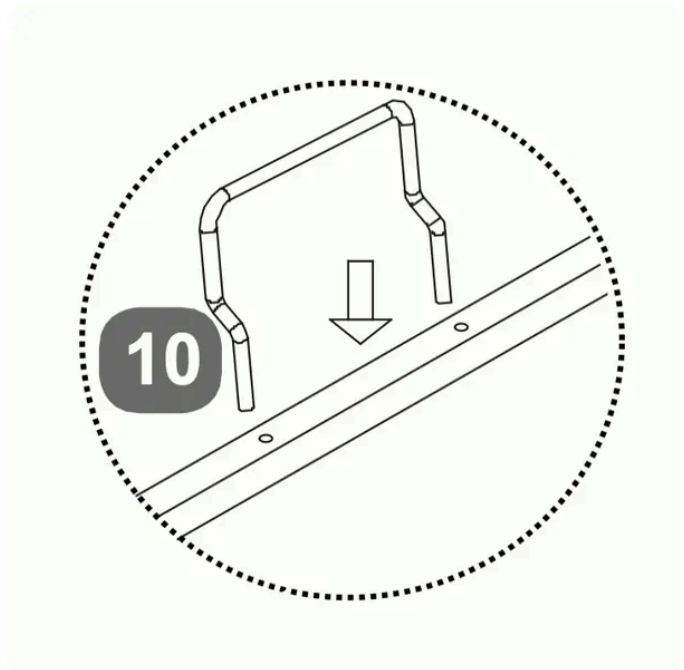
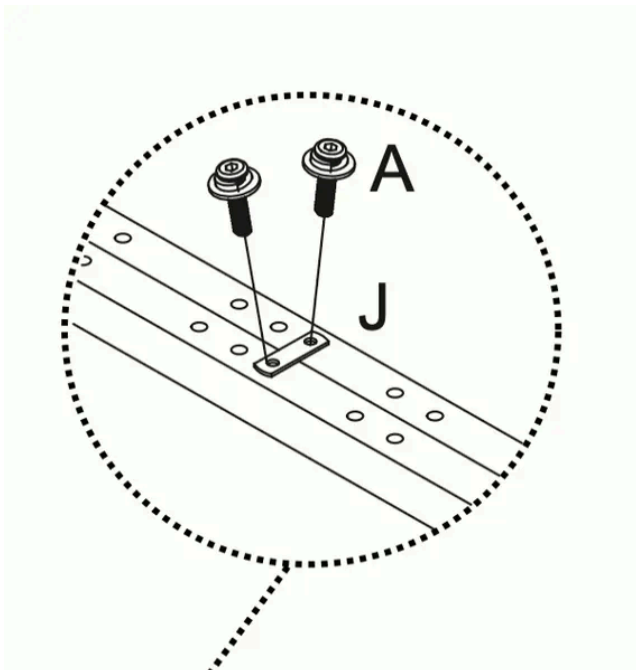
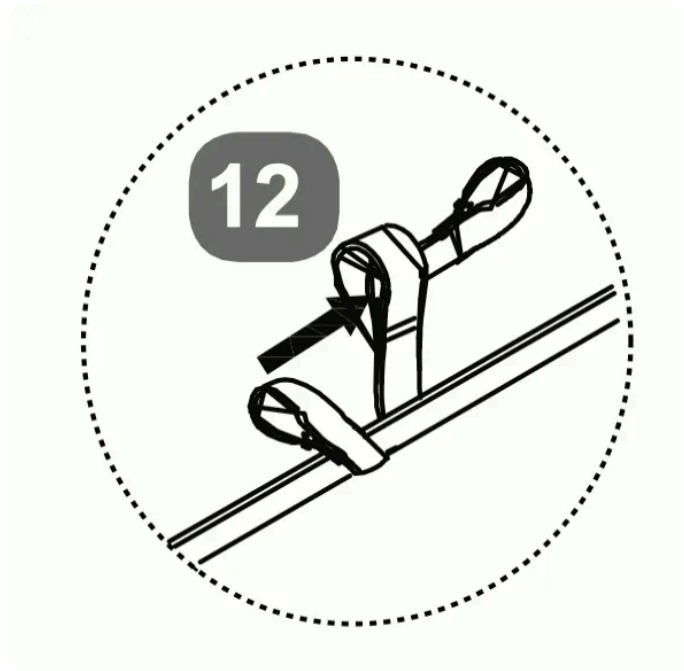
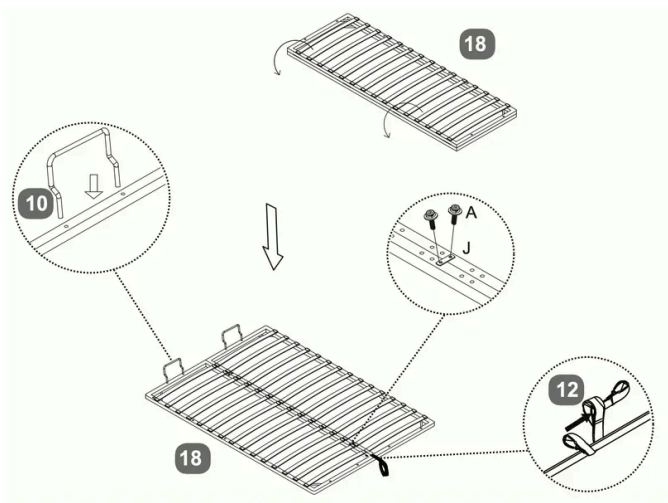
## 9. SINGLE BED FRAME -Mattress Stabilization and Handle Attachment

- Insert the Mattress Stoppers (10) into the designated holes on the Metal Slat Frame (17) to secure the mattress in place.
- Attach the Fabric Handle (12) to the frame by threading it through the loop and securing it tightly.
- Ensure the handle is firmly attached for easy lifting of the slat frame.



## 10. Frame Stabilization and Accessory Attachment

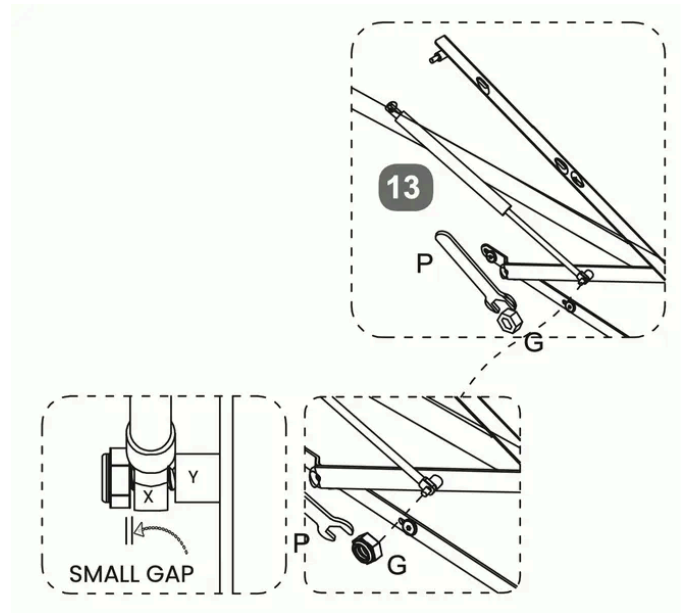
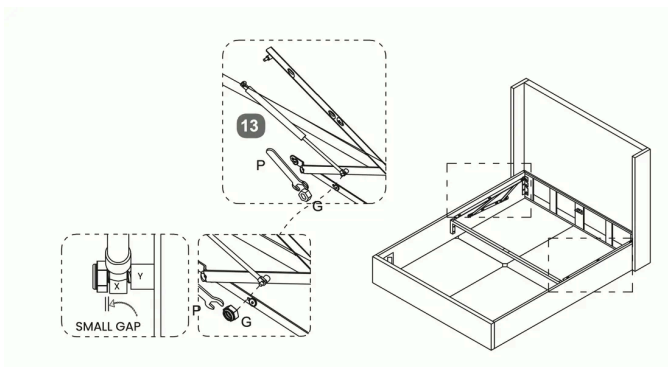
- **Metal Slat Frame Installation:** Position the Metal Slat Frame (18) over the bed frame. Open this and secure it using the Metal Plate (J) and Bolt (M8x25mm) (A) to ensure stability.
- **Mattress Stopper Insertion:** Insert the Mattress Stoppers (10) into the designated holes on the Metal Slat Frame (18) to keep the mattress securely in place.
- **Fabric Handle Attachment:** Attach the Fabric Handle (12) by threading it through the loop on the slat frame, ensuring it is tightly secured for easy lifting.



## 11. Piston Connection and Adjustment

-Attach the Gas Lift Piston (13) to the pre-installed Gas-lift Mechanism on the bed frame.

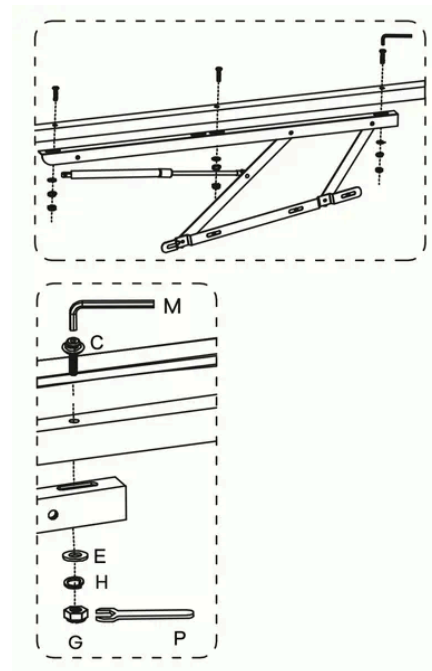
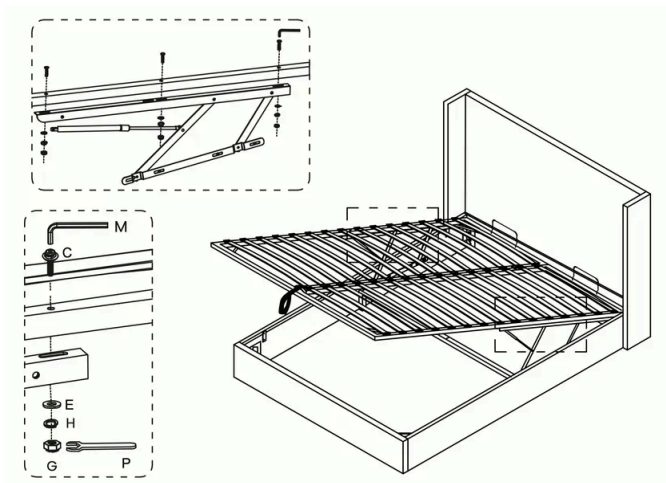
- Use the Spanner for M8 (P) to secure the Flanged Lock-Nut M8 (G) onto the piston.
- Ensure a small gap is maintained between components X and Y for proper movement.
- Tighten all connections securely to ensure stability and functionality of the gas-lift system.



## 12. Mechanism Assembly and Alignment

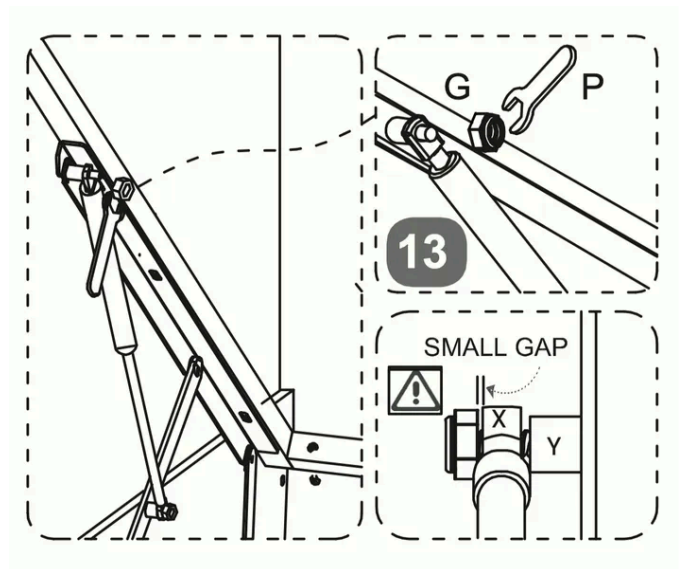
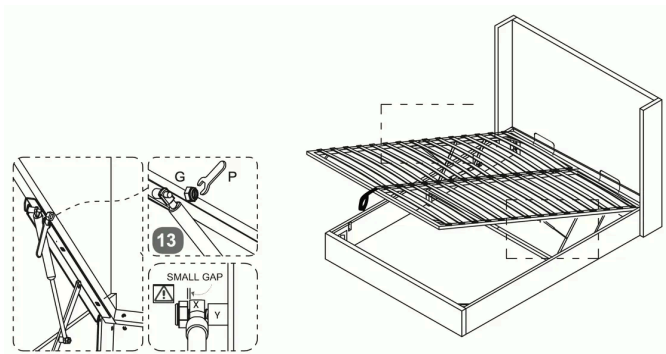
-Secure the Metal Slat Frame to the Gas-lift Mechanism using Bolt (M8x50mm) (C) and tighten with the Allen Key for M8 (M).

- Ensure the Gas Lift Piston is properly aligned and secured with 3 x Flat Washer M8 (E), Spring Washer M8 (H), and Flanged Lock-Nut M8 (G) on each side using the Spanner for M8 (P).
- Confirm all connections are tight and the mechanism operates smoothly for lifting and accessing the storage area.



### 13. Piston Adjustment and Mechanism Verification

- Ensure the Gas Lift Piston (13) is securely attached to the Gas-lift Mechanism using the Flanged Lock-Nut M8 (G) and tighten with the Spanner for M8 (P).
- Maintain a small gap between components X and Y for proper movement.
- Confirm all connections are tight and the mechanism operates smoothly for lifting and accessing the storage area.
- Make sure to add the Mattress to the frame as this will allow you to safely release the gas in the Gas Lift Pistons (13) and operate the ottoman storage easily.



### Safety Warnings

- You must ensure that the mattress is on the bed frame before operating the lift mechanism Failure to do so could result in injury.
- Keep hands clear of the mechanism when opening or closing the ottoman.
- Beware of entrapment – Never reach in through the mechanism to access the storage area.
- Always ensure that the ottoman is FULLY opened before accessing the storage
- Do not exceed the maximum weight as specified in the table below:



Size	Min Weight (kg)	MaxWeight (kg)
Single	15	40
Double	20	50
King	20	50

- Use caution when operating, always use the handle when lifting.
- Note: This bed uses a pressurised mechanism.
- To be operated by adults only
- Please ensure that children and pets are kept away from the bed when operating the lift mechanism.
- Keep children and pets away from the storage area.
- Do not overload the internal storage base.
- Do not stand inside the internal storage area of the bed.
- Before removing the mattress secure the frame to ensure it does not open unexpectedly.
- Do not attempt to lie on the mattress when the ottoman is in the raised position
- When lifting the ottoman remove all bedding except the fitted sheet.



### Instructions by Time4Sleep Products

Upholstered Ottoman Winged Bed Frame