



Instructions by Time4Sleep Products

Upholstered Ottoman Bed Frame

Assembly instructions for Upholstered Ottoman Bed Frame by Time4Sleep

Product Information

Upholstered Ottoman Bed Frame

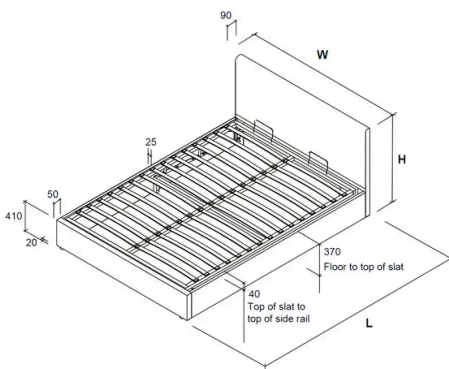
Description

If you're looking for elegance and simplicity combined with functionality, then the Amalfi Ottoman may be the perfect bed for you. With extra deep side rails this bed provides class leading levels of storage.

The slatted Ottoman base can be easily raised with the assistance of the gas lift struts to reveal a high-capacity storage area.

With a generously proportioned headboard and clean contemporary lines the Amalfi will make a stylish focal point in your bedroom. Upholstered in a wide range of fabric options there is sure to be a colour which will work well in any design scheme.

The underbed ottoman storage height on this bed frame is approximately 30cm.



Product specifications

	Double	King Size	Super King
Width	144 cm	159 cm	189 cm
Height	136 cm	136 cm	136 cm
Length	209 cm	217 cm	217 cm
Head end height	136 cm	136 cm	136 cm
Foot end height	40 cm	40 cm	40 cm



SKU

AmaOtt30ARNA, AmaOtt30ARPE, AmaOtt30HUBO, AmaOtt30HUDO, AmaOtt30HUIV, AmaOtt30HURO, AmaOtt30LIFO, AmaOtt30LILI, AmaOtt30TRCH, AmaOtt30TRFL, AmaOtt30TRCC, AmaOtt30HUPL, AmaOtt30BOIV, AmaOtt30HUPO, AmaOtt30HUOL, AmaOtt30HUWE, AmaOtt30EDSE, AmaOtt40ARNA, AmaOtt40ARPE, AmaOtt40HUBO and 298 more

Before you start

- Please read this sheet prior to assembly to familiarise yourself with the various stages of construction. Carefully open the pack supplied and check the contents against the parts and fittings check list.
- Do not destroy any of the packaging until you are certain that you have all the necessary parts for the assembly.
- Please ensure that the packaging is disposed of in a safe environmentally friendly way.
- **Caution:** There are small components used in the construction of this unit. These loose items should be kept away from young children during assembly, to avoid danger of choking.

Warnings



-Note: Before moving the frame, place the mattress on the slats.

- Without a mattress in place, the speed of movement is quick and may cause injury, so great care is needed.
- Carefully lower the frame with the fabric hand strap ensuring the sides are aligned with the side rails, there should be an even gap on each side. A quick tip in case you're having trouble. If the gaps between the sides of the frame aren't even, first make sure the bed is still square.
- If it is square try re-aligning the slat frame by loosening the six bolt sets, adjust the frame then retighten the bolts.
- Depending on the weight of the mattress, the rising speed will vary, so be careful until you get used to the speed.
- Always use the hand strap to lift or lower the frame - keep fingers well away from the moving parts.
- **When fully assembled and the mattress in position, please raise & lower the ottoman 4/5 times to ensure the gas pistons are fully lubricated.**
- You must ensure that the mattress is on the bed frame before operating the lift mechanism Failure to do so could result in injury.
- Keep hands clear of the mechanism when opening or closing the ottoman.
- Beware of entrapment – Never reach in through the mechanism to access the storage area.
- Always ensure that the ottoman is FULLY opened before accessing the storage area.
- Do not exceed the maximum weight as specified in the table below:



Bed Size	Min Weight (kg)	Max Weight (kg)
Single	10	40
Small Double	15	45
Double	20	50
King	20	50
Super King	20	60

Safety



Instructions by Time4Sleep Products

Upholstered Ottoman Bed Frame


- Use caution when operating, always use the handle when lifting.
- Note: This bed uses a pressurised mechanism.
- To be operated by adults only.
- Please ensure that children and pets are kept away from the bed when operating the lift mechanism.
- Keep children and pets away from the storage area. Do not overload the internal storage base.
- Do not stand inside the internal storage area of the bed.
- Before removing the mattress secure the frame to ensure it does not open unexpectedly.
- Do not attempt to lie on the mattress when the ottoman is in the raised position.


Important when operating


- Use caution when operating, always use the handle when lifting.
- This bed uses a pressurised mechanism.
- To be operated by adults only.
- Please ensure that children and pets are kept away from the bed when operating the lift mechanism.
- Keep children and pets away from the storage area.
- Do not overload the internal storage base.
- Do not stand inside the internal storage area of the bed.
- Before removing the mattress secure the frame to ensure it does not open unexpectedly.
- Do not attempt to lie on the mattress when the ottoman is in the raised position.
- When lifting the ottoman remove all bedding except the fitted sheet.





Tools


A - Bolt sets (M8x20mm) 12 


B - Bolt sets (M8x35mm) 20 


C - Bolt sets (M8x50mm) - 10 for Single, 12 for Small Double/Double/King, 14 for Super King 


E - Bolt sets (M6x45mm) 4 


F - Bolt sets (M6x20mm) - 12 for Single/Small Double/Double/King, 16 for Super King 12 


G - Flat washer for M8 nuts - 10 for Single, 12 for Small Double/Double/King, 14 for Super King 10 


H - Spring washer for M8 nuts - 10 for Single, 12 for Small Double/Double/King, 14 for Super King 10 


J - Nut for M8 bolts - 14 for Single, 16 for Small Double/Double/King, 18 for Super King 14 

K - Angle Brackets - LH 2 

L - Angle Brackets - RH 2 

M - Allen Key for M8 bolts 1 

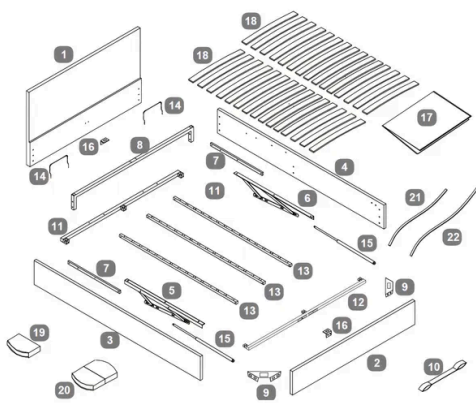
N - Allen Key for M6 bolts 1 

P - Spanner for M8 nuts 1 



Parts

1	Headboard	1 piece(s)
2	Footboard	1 piece(s)
3	Side Rail - LH	1 piece(s)
4	Side Rail - RH	1 piece(s)
5	Lift Mechanism - LH	1 piece(s)
6	Lift Mechanism - RH	1 piece(s)
7	Spacer Rails for Lift Mechanism	2 piece(s)
8	'U' Shape Cross Bar	1 piece(s)
9	Angled Corner Brackets	2 piece(s)
10	Fabric Hand Strap	1 piece(s)
11	Cross Rail for Metal Slat Frame - HB	1 piece(s)
12	Cross Rail for Metal Slat Frame - FB	1 piece(s)
13	Side Rail for Metal Slat Frame – 2 for Single, 3 for Small Double, 3 for Double, 3 for King, 4 for Super King	2 piece(s)

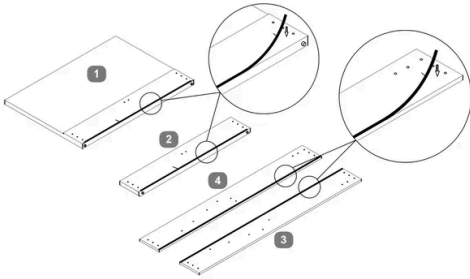


14	Mattress Stopper – 1 for Single, 2 for Small Double, 2 for Double, 2 for King, 2 for Super King	1 piece(s)
15	Gas Lift Pistons – 2 for Single, 2 for Small Double, 2 for Double, 2 for King, 2 for Super King	2 piece(s)
16	Frame Support Bracket – 2 for Single, 2 for Small Double, 2 for Double, 2 for King, 4 for Super King	2 piece(s)
17	Fabric Base Cover – 1 for Single, 1 for Small Double, 1 for Double, 1 for King, 1 for Super King	1 piece(s)
18	Bentwood Slats – 14 for Single, 28 for Small Double, 28 for Double, 30 for King, 45 for Super King	14 piece(s)
19	Single Plastic Caps – 28 for Single, 28 for Small Double, 28 for Double, 30 for King, 30 for Super King	28 piece(s)
20	Double Plastic Caps – 14 for Small Double, 14 for Double, 15 for King, 30 for Super King	14 piece(s)
21	Shorter Vecro With Glue – 2 for Single, 2 for Small Double, 2 for Double, 2 for King, 2 for Super King	2 piece(s)
22	Longer Vecro With Glue – 2 for Single, 2 for Small Double, 2 for Double, 2 for King, 2 for Super King	2 piece(s)



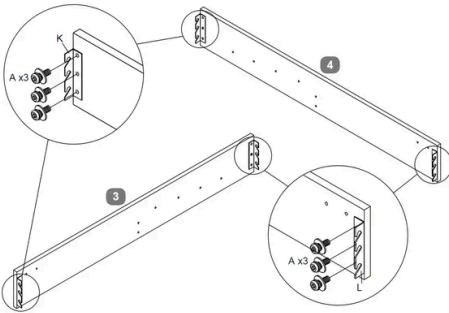
Steps (12)

1. Attach Velcro Strips



1. Identify the Headboard (1), Footboard (2), Side Rail – LH (3), and Side Rail – RH (4).
2. Fit the Shorter Velcro with Glue (21) to the inner faces of the Headboard (1) and Footboard (2).
3. Fit the Longer Velcro with Glue (22) to the inner faces of the Side Rail – LH (3) and Side Rail – RH (4).
4. Press each strip down firmly to ensure the glued backing adheres securely to the surface.

2. Attach Angle Brackets to Side Rails

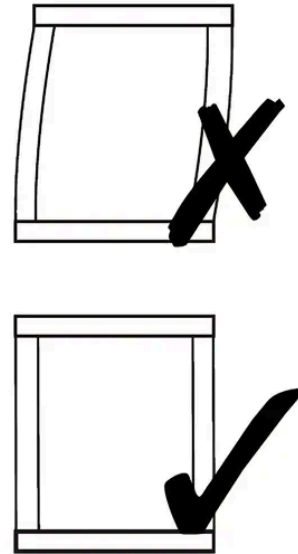
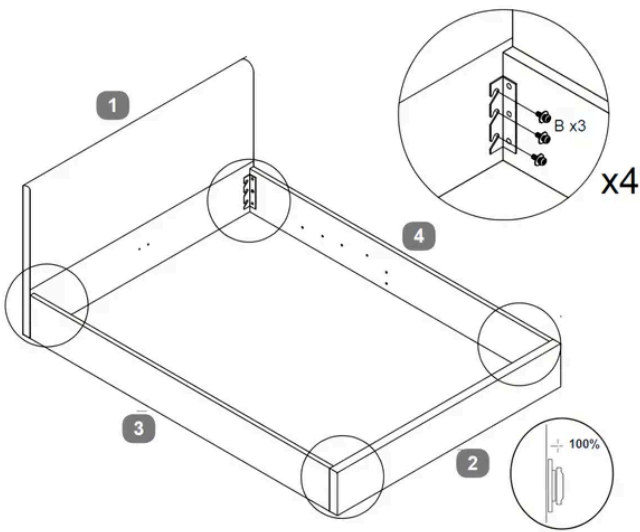


1. Position the Side Rail – LH (3) and Side Rail – RH (4) with the bracket mounting holes facing outward.
2. Attach one Angle Bracket – LH (K) to each end of Side Rail – LH (3) using 3 × Bolt (A), each with a Flat Washer (G) and a Spring Washer (H).
3. Repeat the process for Side Rail – RH (4), using 3 × Bolt (A) per bracket and securing each Angle Bracket – RH (L).
4. Tighten all bolts using the Allen Key (M) until the brackets are firmly secured.



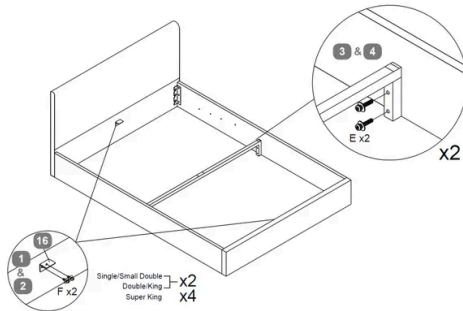
3. Assemble Bed Frame Structure

1. Align the Side Rails - LH (3) and RH (4) with the Headboard (1) and Footboard (2).
2. Secure each corner using 3 × Bolt (B) through the mounted Angle Brackets (K & L) into the Headboard and Footboard.
3. Before tightening, ensure the frame is properly squared by checking alignment from a top-down view, as shown in the diagram.
4. Once aligned, fully tighten all bolts to 100% using the Allen Key (M).



4. Install Frame Support Brackets and Cross Rails

1. Insert the Cross Rail for Metal Slat Frame – HB (11) and FB (12) into the notches on the Side Rails – LH (3) and RH (4).
2. Secure each end of the cross rails using 2 × Bolt (E) per rail. Tighten with the Allen Key (N).
3. Attach the Frame Support Brackets (16) to the center underside of the Headboard (1) and Footboard (2) using Bolt (F).
4. Ensure brackets are aligned vertically for proper load support.



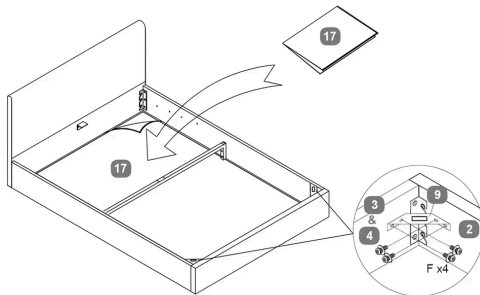
Number of Bolt (F) per size:

- Single / Small Double / Double / King: 4
- Super King: 8

Frame Support Brackets (16) per size:

- Single / Small Double / Double / King: 2
- Super King: 4

5. Attach Corner Brackets and Base Cover



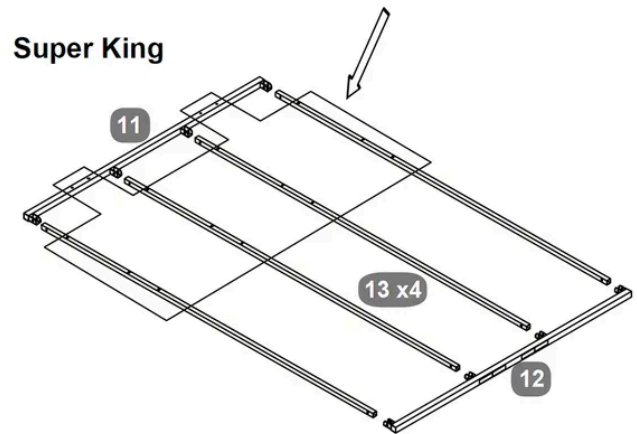
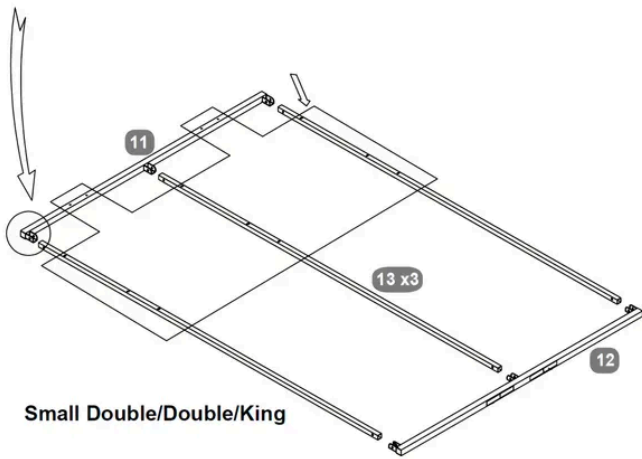
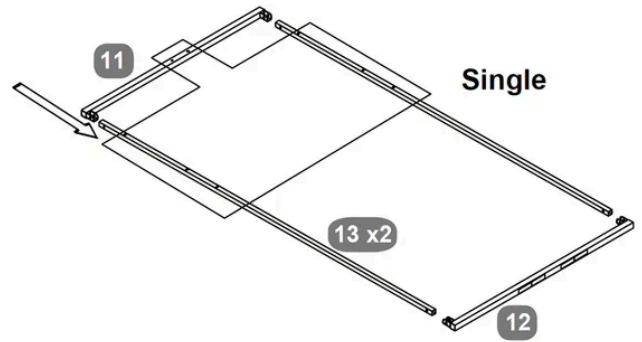
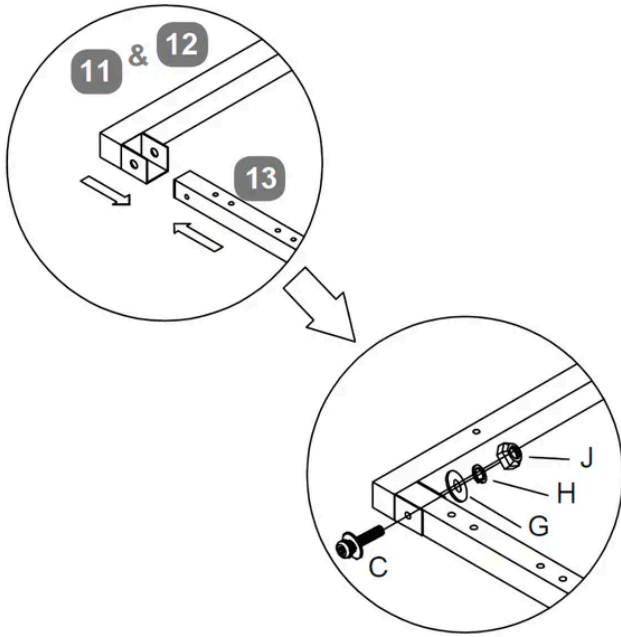
1. Secure one Angled Corner Bracket (9) to each interior corner where the Side Rails – LH (3) and RH (4) meet the Footboard (2), using 2 × Bolt (F) per bracket.
2. Tighten all bolts using the Allen Key (N) to ensure the brackets are firmly fixed.
3. Fit the Fabric Base Cover (17) evenly around the inside of the bed frame, tucking it neatly against the inner edges of the sides.



6. Assemble Slat Frame Structure

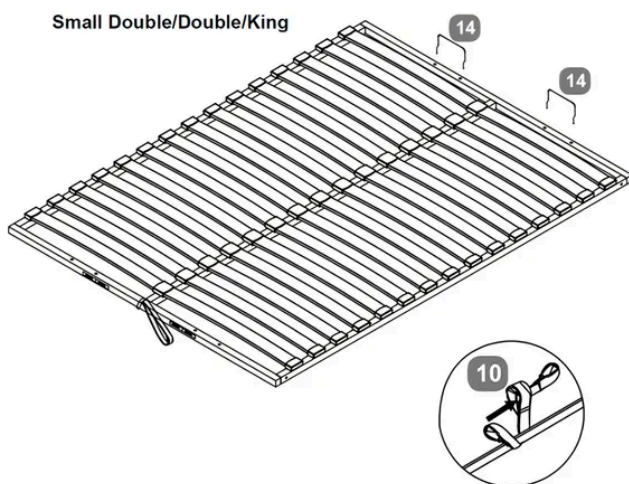
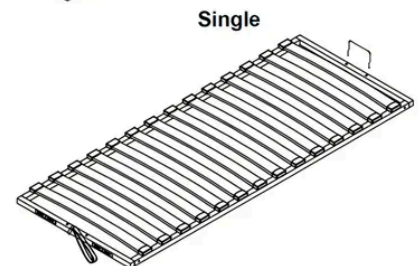
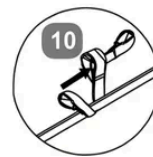
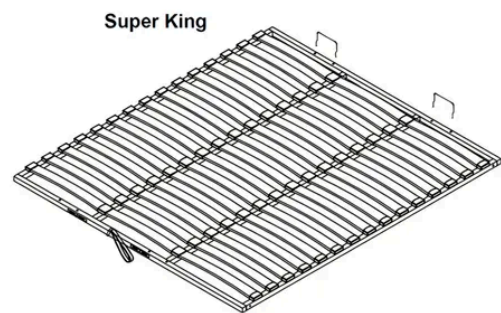
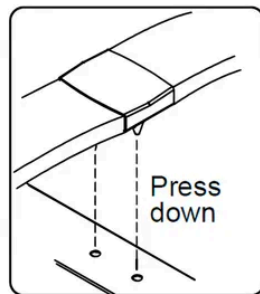
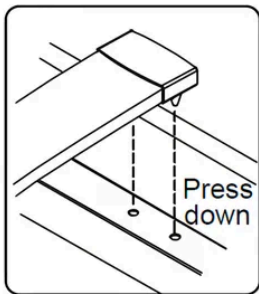
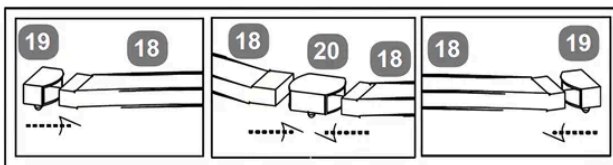
1. Position the Cross Rail for Metal Slat Frame – HB (11) and FB (12) on a flat surface. This view is from underneath the slat frame.
2. Slide the required number of Side Rails for Metal Slat Frame (13) between the cross rails, aligning the holes.
3. In the three or more long tubes (13), the many slat cap holes should face downward, touching the floor. From underneath, you should only see the alignment holes — 13 for Small Double/Double/King, 13 for Single, or 16 for Super King — that are marked within the boxed lines.
4. Ensure that the split joints in the short end tubes (11 & 12) are pointing upward.
5. Secure each connection using Bolt (C) along with a Flat Washer (G), Spring Washer (H), and Nut (J).
6. Tighten all connections using the Allen Key (M) and Spanner (P) to complete the frame structure



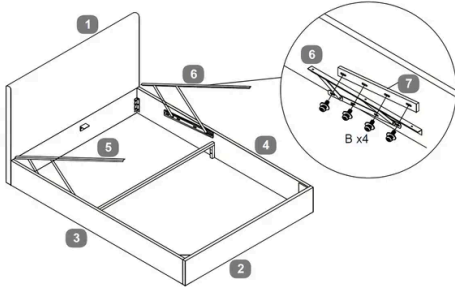


7. Fit Slats and Caps to Slat Frame

1. After assembling the frame, please turn it over.
2. Fit one Single Plastic Cap (19) to each end of the Bentwood Slats (18) by angling the cap and pressing firmly onto the slat.
3. For middle slats (where applicable), use Double Plastic Caps (20) to connect adjacent slats before pressing them into place.
4. Insert each capped slat into the pre-drilled holes on the metal side rails (13), then press down until securely fixed.
5. Repeat for all slats across the full width of the frame.
6. Attach the Fabric Hand Strap (10) to the central slat using the designated loop and fixing point.

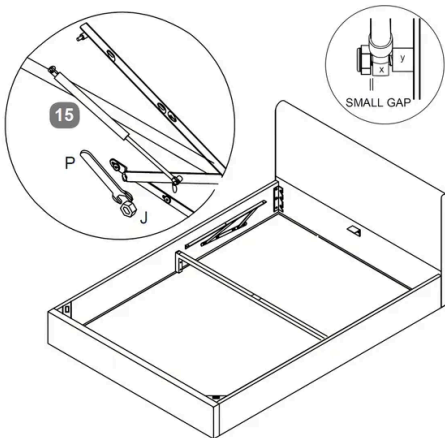


8. Install Lift Mechanism and Spacer Rails



1. Position the Lift Mechanism – LH (5) and RH (6) inside the bed frame along the inner side rails.
2. Align the lower section of each lift arm with the pre-drilled holes on the Side Rail – LH (3) and RH (4).
3. Place the Spacer Rails (7) between the bed frame and lift mechanism brackets.
4. Secure each bracket using 4 × Bolt (B) per side.
5. Tighten all bolts using the Allen Key (M) to ensure the lift arms and spacer rails are securely attached.

9. Attach Gas Lift Pistons to Mechanism Arms



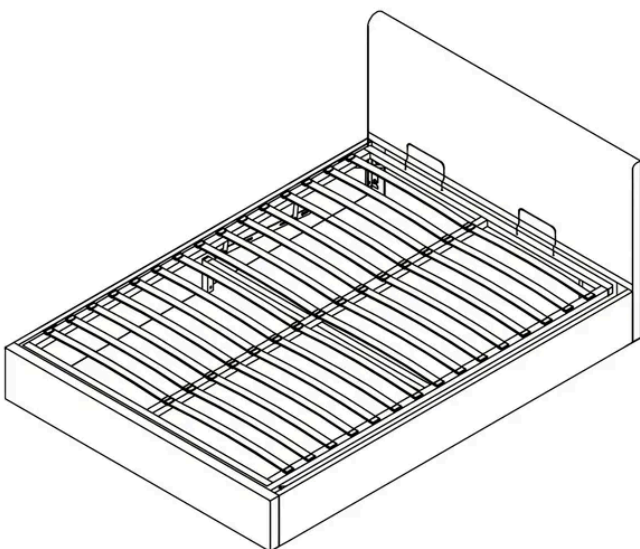
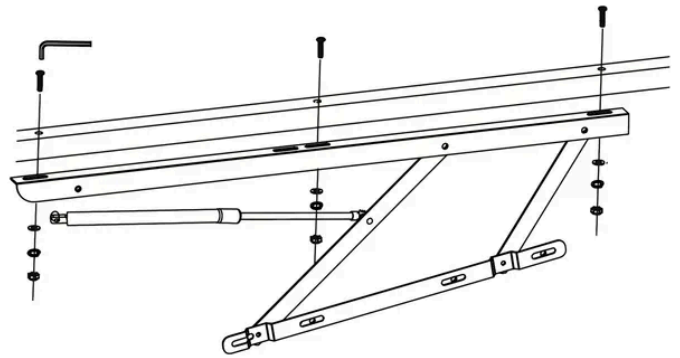
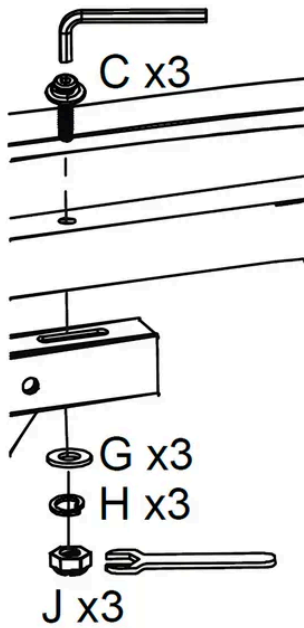
1. Slide the stem of the Gas Lift Piston (15) (marked as x) onto the axle (marked as y) located on the lower section of each lift mechanism arm.
2. Fit a Flange Lock Nut (J) to secure the piston in place.
3. Use the Spanner (P) to tighten the nut — do not over-tighten.
4. Ensure a small gap remains between the nut and the piston stem so the stem can move freely during operation.

This is important for proper functionality. Refer to the image provided to check correct clearance.

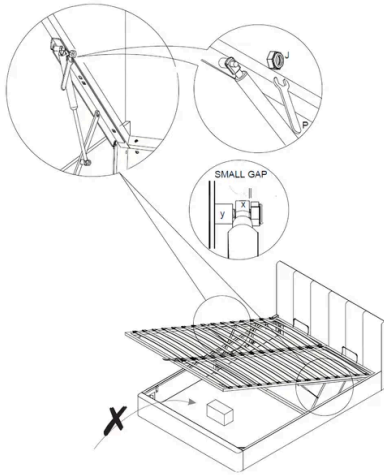


10. Secure Slat Frame to Lift Mechanism

1. Position the assembled slat frame over the lift mechanism arms.
2. Loosely fit 3 sets of Bolt (C), Flat Washer (G), Spring Washer (H), and Nut (J) on each side of the frame using the pre-drilled holes.
3. Carefully hold the slat frame down and align it so there are even gaps on both sides between the frame and bed rails.
4. Once aligned, fully tighten all bolts using the Allen Key (M) and Spanner (P) to ensure the frame is securely attached to the lift arms.



11. Connect Cylinder Stem and Review Storage Clearance



1. Slide the gas-lift cylinder stem (x) onto the axle (y) located on the upper arm of the lift mechanism.
2. Fit a Flange Lock Nut (J) to secure the stem, and tighten it using the Spanner (P) — do not over-tighten.
3. Leave a small gap between the nut and the stem to allow for free movement. This is critical for proper operation — refer to the detailed sketch for correct spacing.
4. Gently test the lifting motion to confirm smooth articulation of the mechanism.

Note:

Be very careful what you store under the bed. The top of stored items (such as a suitcase or box) **must not touch the slats**, or they may be damaged.

Maximum storage height: **300 mm**

12. Final Check

- Verify that all slats are securely placed and evenly spaced.
- Check for any loose connections and tighten the screws if necessary



Instructions by Time4Sleep Products

Upholstered Ottoman Bed Frame