

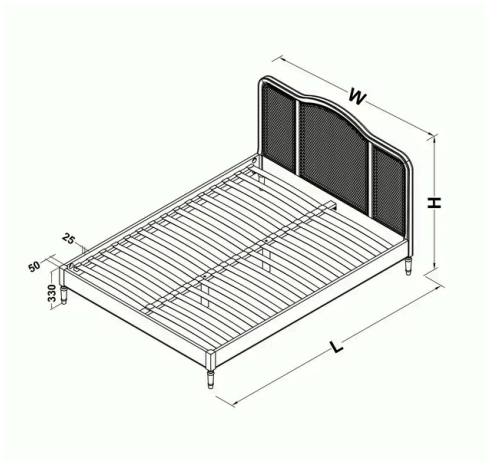
Instructions by Time4Sleep Products

Signature Rattan Bed Frame

Assembly instructions for the Signature Rattan Bed Frame

Product Information

Signature French Rattan Bed Frame



Description

Discover the perfect fusion of classic French elegance and modern sophistication with this stunning rattan oak bed. This beautifully crafted piece seamlessly blends traditional French design elements with a sleek contemporary oak finish, creating a versatile centerpiece that elevates any bedroom setting.

The rich contemporary oak finish enhances the natural wood grain, whilst the warmth and character of natural wood combine with the textural interest of the woven rattan finish.

The thoughtful design bridges the gap between old-world charm and modern living, making it an ideal choice for those who appreciate classic French style but prefer a slightly more modern look.. Whether paired with vintage accessories or contemporary bedding, this versatile piece adapts beautifully to your personal style.

Perfect for creating a sophisticated bedroom sanctuary, this French style rattan oak bed brings together the best of both worlds – the romantic appeal of traditional French design and the clean, refined look of contemporary craftsmanship. The bed comes with a sprung slatted base for extra comfort and support.

Product specifications

Overall Dimensions (LWH)	Internal Dimensions (LW)	Distance between slats (mm)	Slat Dimensions (LWH mm)
--------------------------	--------------------------	-----------------------------	--------------------------



Instructions by Time4Sleep Products

Signature Rattan Bed Frame

	mm)	mm)		
Double	2006 x 1427 x 1135	1930 x 1375	80	682 x 53 x 9
King	2106 x 1577 x 1135	2030 x 1525	80	757 x53 x9

Best Practices


- Please read this sheet prior to assembly to familiarise yourself with the various stages of construction. Carefully open the pack supplied and check the contents against the parts and fittings check list.
- Do not destroy any of the packaging until you are certain that you have all the necessary parts for the assembly.
- Please ensure that the packaging is disposed of in a safe environmentally friendly way.
- **Caution:** There are small components used in the construction of this unit. These loose items should be kept away from young children during assembly, to avoid danger of choking.
- **Important:** Before starting to assemble the bed - please read these instructions carefully.

Care & Maintenance


- In the unlikely event of missing or damaged parts, please contact your retailer. -
- Please have this guide at hand quoting the part code reference numbers shown when requesting spare or replacement parts.




Tools

A - Threaded stud (M8x80mm) 12 

B - Half-moon bracket 12 

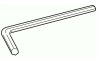
C - Flat washer for M8 stud 20 

D - Spring washer for M8 stud 12 

E - Nut for M8 stud 12 

F - Spanner for M8 nuts 1 

G - Bolt (M8x35mm) 2 

H - Allen key for M8 bolts 1 

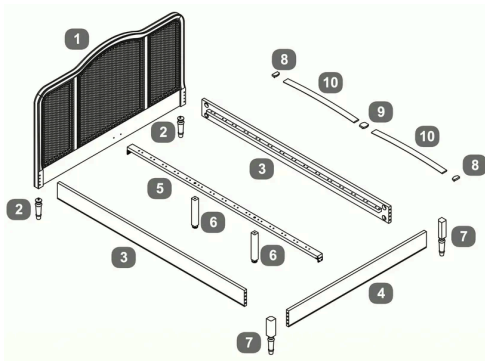
I - Dowel (M10x40mm) 12 

J - Bolt (M8x20mm) 1 

K - L Shape Bracket 2 



Parts

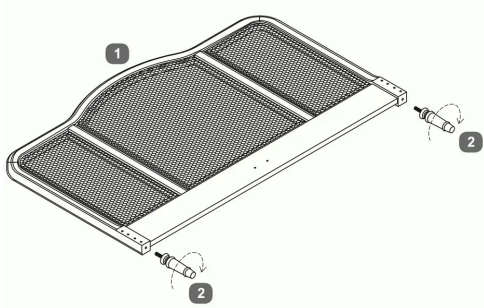


1	Headboard - Box 1	1
2	Headboard Legs - Box 2	2
3	Side Rail - Box 2	2
4	Footboard - Box 2	1
5	Wood Centre Support - Box 2	1
6	Centre Support Legs - Box 2	2
7	Footboard Legs - box 2	2
8	Single Plastic Caps - Box 2 (28 Double / 30 King)	30
9	Double Plastic Caps - Box 2 (14 Double / 15 King)	15
10	Bentwood Slats - Box 2 (28 Double / 30 King)	30



Steps (9)

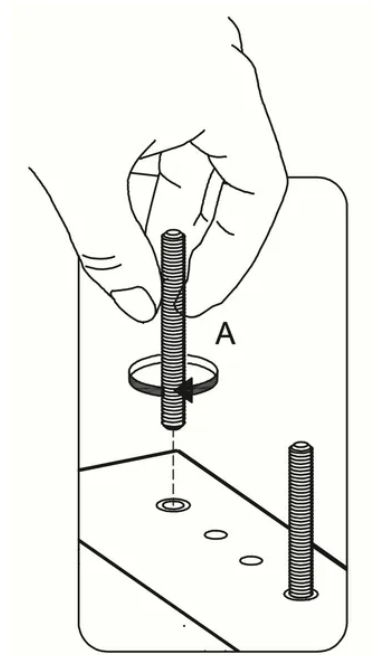
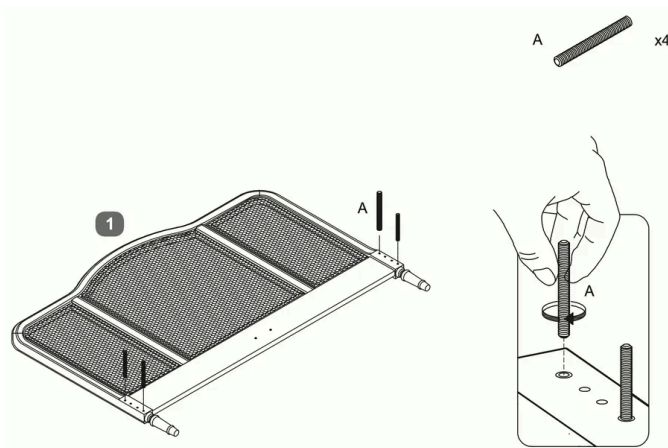
1. Secure Threaded Fasteners



- Insert the threaded studs (A) into the designated holes on each side of the headboard.
- Ensure they are securely fastened by twisting them clockwise.

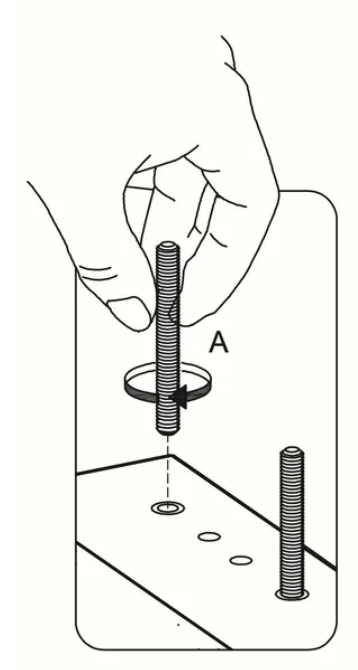
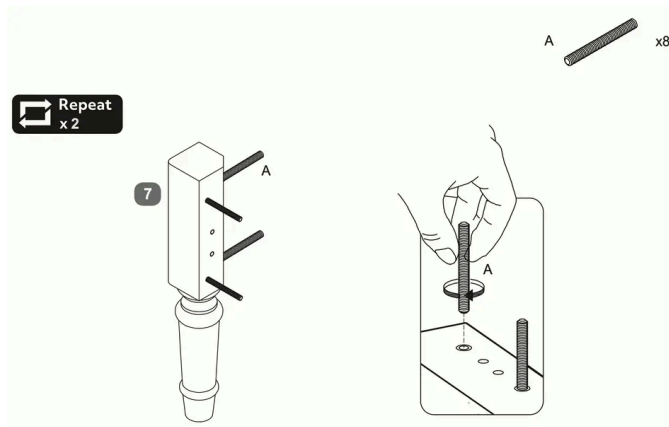
2. Fasten Headboard Components

- Insert the threaded studs (A) into the designated holes on each side of the headboard.
- Ensure they are securely fastened by twisting them clockwise.



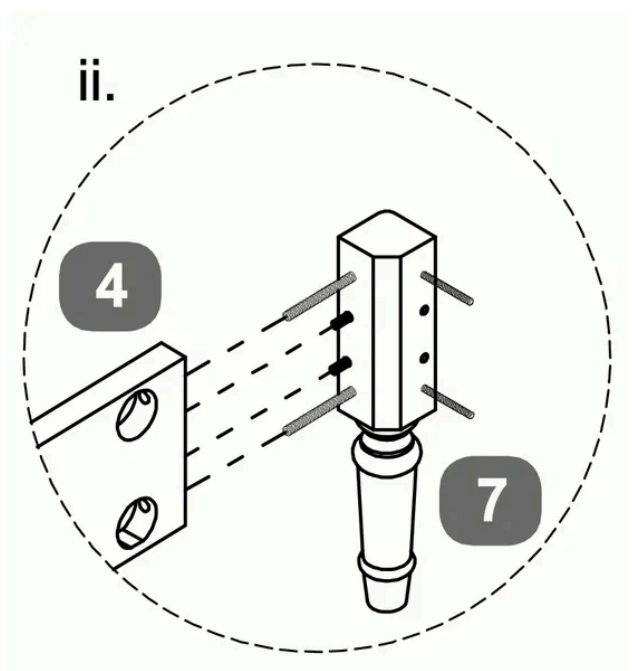
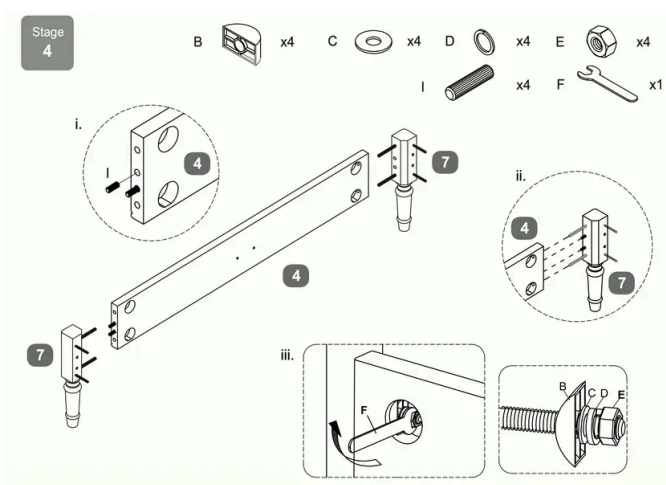
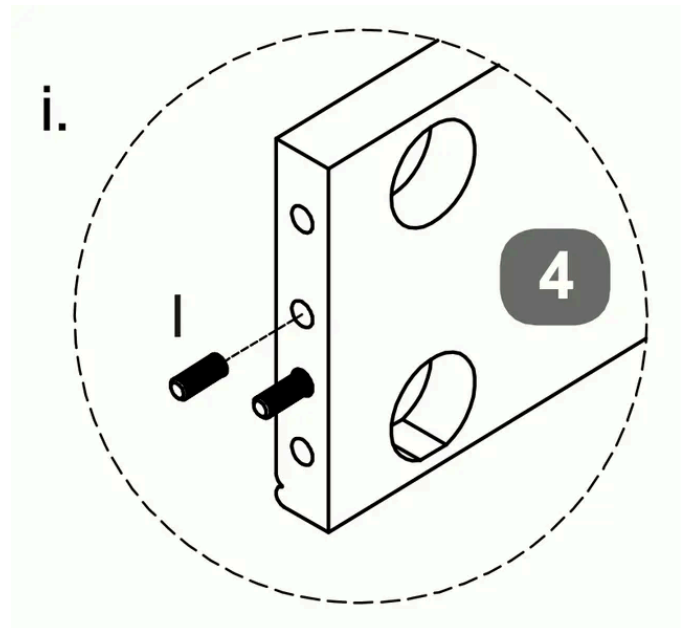
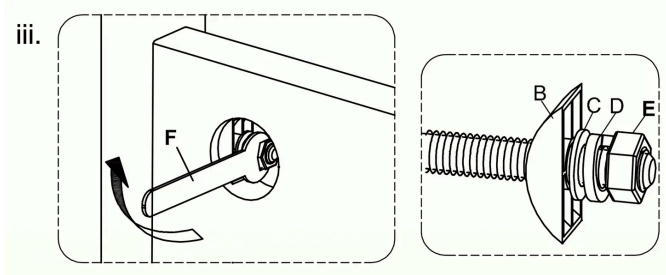
3. Attach Fasteners to Footboard Legs

- Insert the threaded studs (A) into the designated holes on the Footboard legs (7).
- Ensure they are securely fastened by twisting them clockwise.
- Repeat this process for both footboard legs.



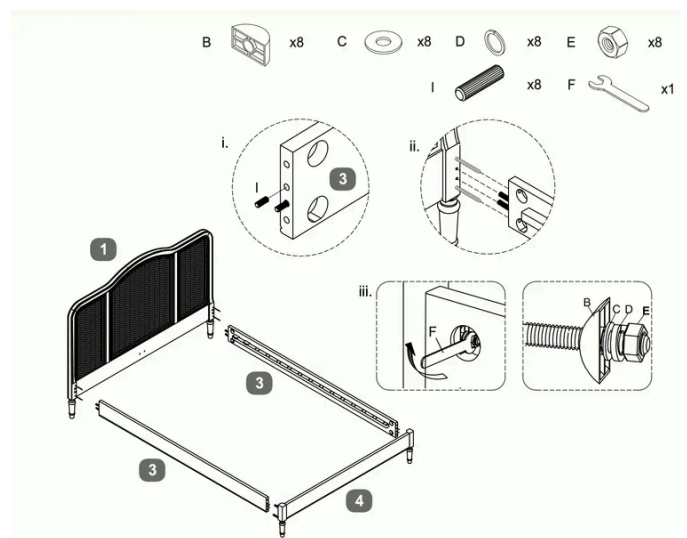
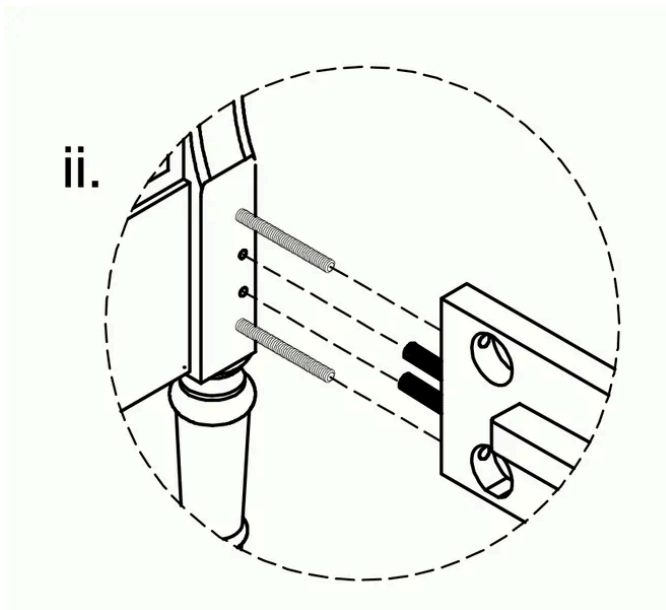
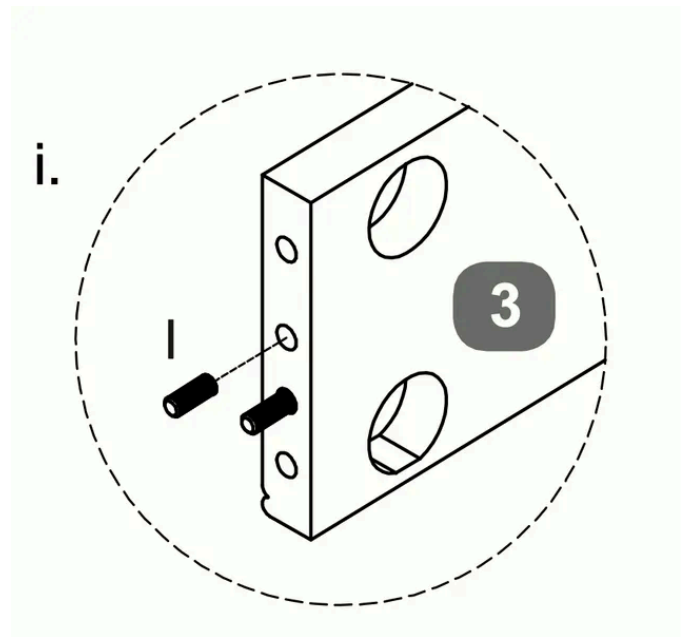
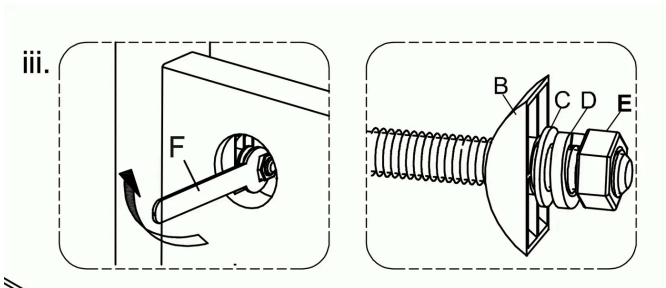
4. Assemble Footboard Structure

- Insert the dowels (I) into the designated holes on the Footboard (4) as shown in image i.
- Align the wood center support (4) with the footboard legs (7) and insert the threaded studs through the holes as shown in image ii.
- Secure the connection using half-moon brackets (B), flat washers (C), spring washers (D), and nuts (E).
- Tighten the nuts using the spanner (F) as shown in image iii.



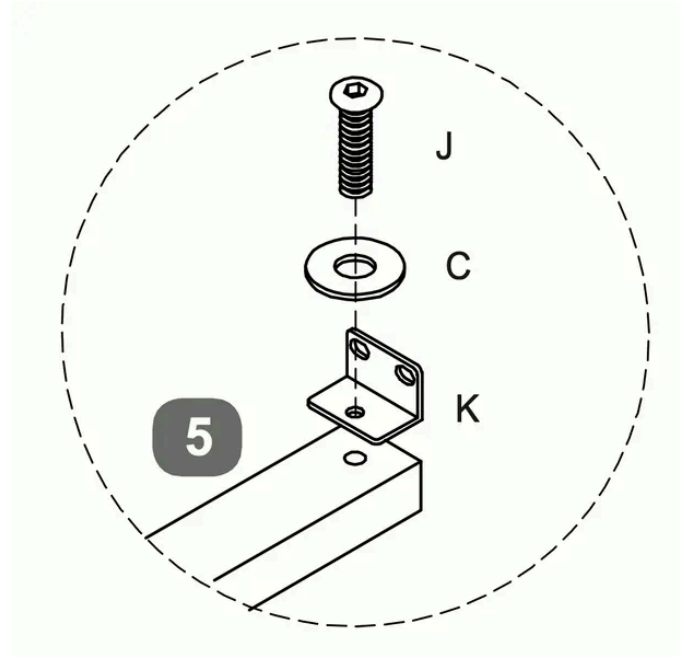
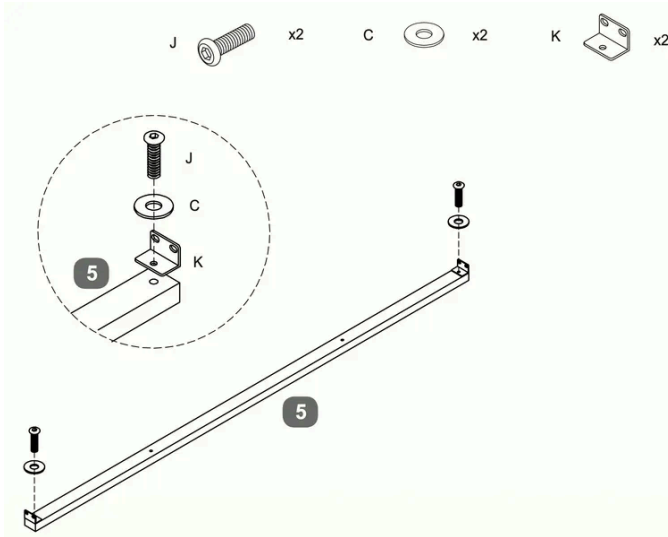
5. Align and Secure Side Rails

- Insert dowels (I) into the designated holes on the side rails (3) as shown in image i.
- Align the side rails (3) with the headboard and footboard, ensuring the dowels fit into the corresponding holes.
- Secure the connection using half-moon brackets (B), flat washers (C), spring washers (D), and nuts (E) as shown in image iii.
- Tighten the nuts using the spanner (F) to ensure a stable assembly.



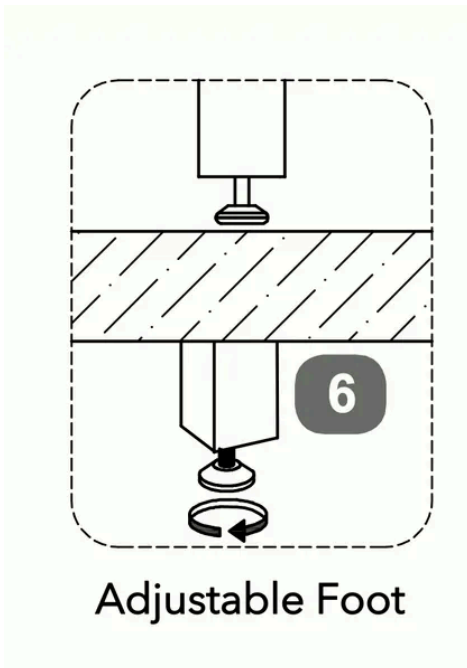
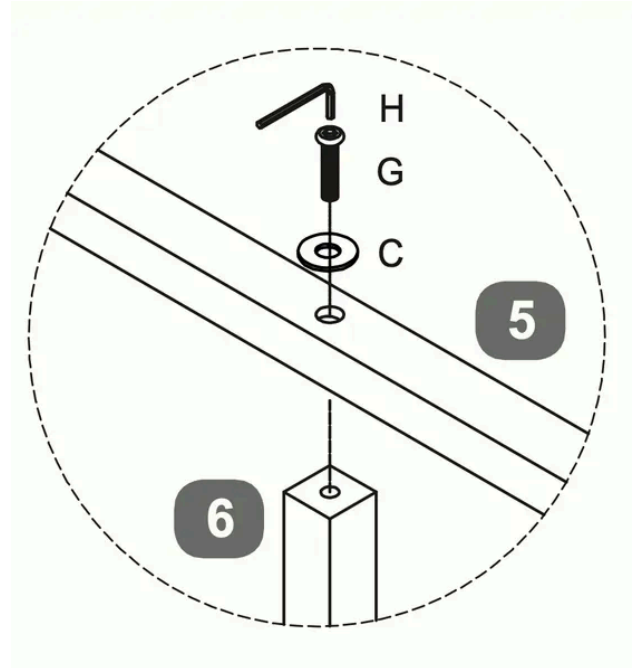
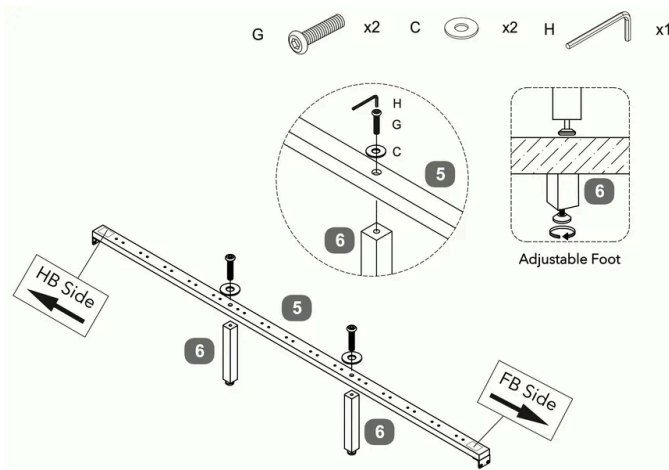
6. Attach Support Brackets Securely

- Attach the L Shape Brackets (K) to each end of the center support beam (5) using Bolts (J) and Flat Washers (C).
- Insert the bolts through the washers and brackets, then into the pre-drilled holes on the beam.
- Tighten the bolts securely using the Allen key (H) to ensure the brackets are firmly attached.



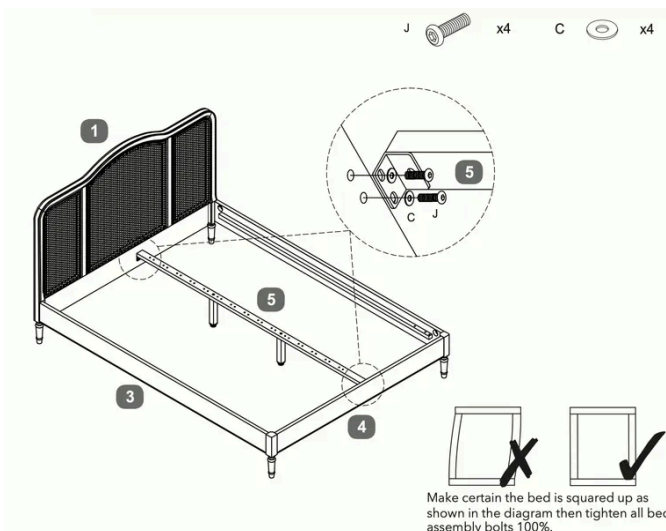
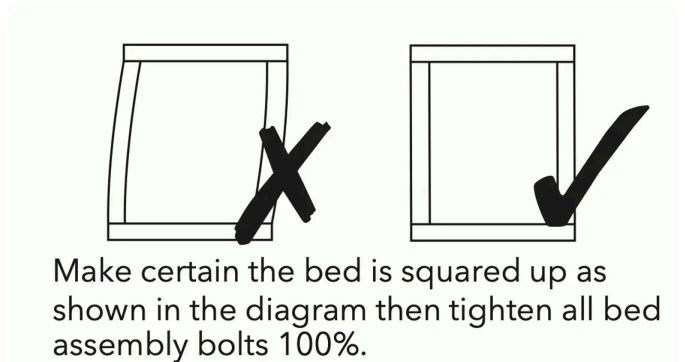
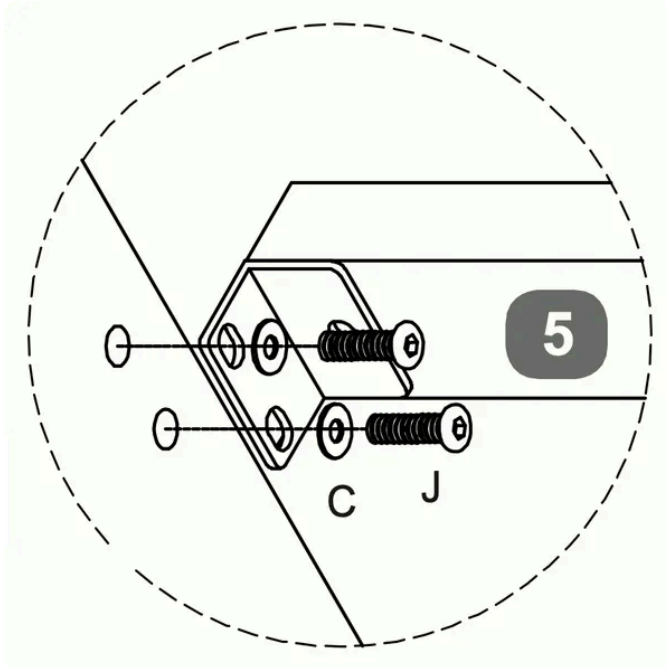
7. Stabilize Center Support Structure

- **Attach Center Support Legs:** Position the center support legs (6) under the center support beam (5). Insert bolts (G) through flat washers (C) and into the pre-drilled holes on the beam.
- Use the Allen key (H) to tighten the bolts securely. Adjust the feet on the support legs to ensure stability and proper alignment.



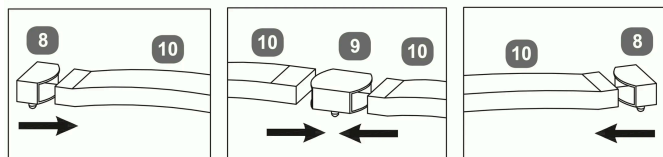
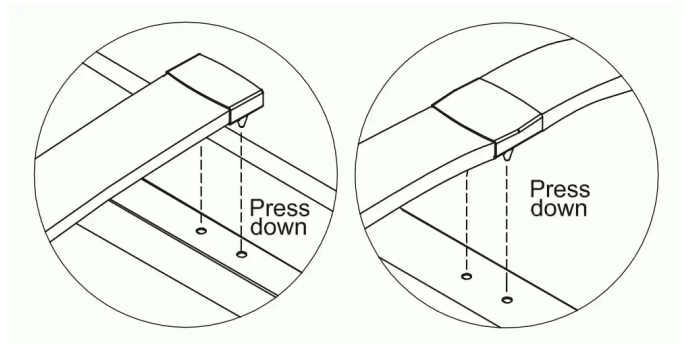
8. Square and Secure Frame Assembly

- Ensure the bed frame is squared up as shown in the diagram.
- Insert Bolts (J) through Flat Washers (C) and into the pre-drilled holes on the center support beam (5).
- Tighten all bed assembly bolts 100% using the Allen key (H) to secure the structure firmly.



9. Align and Secure Slats

- **Install Bentwood Slats:** Begin by aligning the bentwood slats (10) across the bed frame.
- Insert the ends of each slat into the designated slots on the side rails.
- Ensure the slats are evenly spaced and press down firmly to secure them in place.
- Use single plastic caps (8) and double plastic caps (9) to connect and stabilize the slats, following the sequence shown in the diagrams.





Instructions by Time4Sleep Products

Signature Rattan Bed Frame