



Instructions by Time4Sleep Products

Serenity Upholstered Ottoman Hotel Bed Frame

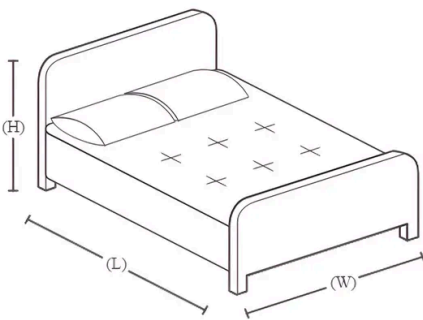
Assembly instructions for Serenity Upholstered Ottoman Hotel Bed Frame by Time4Sleep

Product Information

Serenity Upholstered Ottoman Hotel Bed Frame

Description

If you are looking to create a boutique hotel look in your bedroom, the Serenity Hotel Style Ottoman bed could be the perfect bed for you. Create a sophisticated contemporary look whilst combining versatility and practicality. The gas-lift ottoman base is perfect for storing occasional-use items. With up to four times more storage than a traditional divan-style bed and a built-in bedside drawer, this bed also delivers outstanding value. The bed comes with a sprung slatted base for extra comfort. Finished in an easy-to-coordinate beige velvet, this bed is sure to make a stunning focal point in your bedroom.



Product specifications

	Double	King
Width	246 cm	261 cm
Height	131 cm	131 cm
Length	209.5 cm	221.5 cm

SKU

SerBeige46Hotel, SerBeige50Hotel

****Safety and usage guidelines****

- Ensure the bed is operated by adults only and not used by children under 12 years old.
- Always lift and lower the bed with the mattress in place, using the handle and keeping clear of the mechanism to avoid entrapment.



Instructions by Time4Sleep Products

Serenity Upholstered Ottoman Hotel Bed Frame

- Make sure the ottoman is fully open before accessing the storage area.
- Do not reach into the storage area through the hinge mechanism.
- Keep children and pets away from the storage area and do not stand inside it.
- Regularly inspect the bed to ensure it is functioning correctly.

Best Practices

Note: Be careful what you store under the bed. Items such as suitcases or boxes must not touch the slats, as this may cause damage.

Maximum storage height is 220 mm.

Tips:

- Make sure the hooks are facing upward and toward the inside of the bed frame.
- Ensure the frame is square before fully tightening in the next steps.
- Ensure all brackets are evenly positioned before tightening.
- Check that all corners are aligned before final tightening.
- Ensure both mechanisms are installed symmetrically before tightening.
- Ensure the cover is evenly spread with no folds or creases.
- Ensure the cross bar is centered and securely fixed.
- Ensure the slat frame is centered and properly aligned before tightening.
- Do not over-tighten the nut, as the piston must be able to move smoothly.
- Do not fully tighten the bolts until the frame is correctly aligned.
- Do not over-tighten the nut, as the piston must move smoothly during operation.



Tools

A - M6×20 Bolt

8



B - M8×20 Bolt

14



C - M8×30 Bolt

16



D - M8×50 Bolt

12



E - Flat Washer M8

34



F - Spring Washer M8

8



G - Flat Washer M6

20



H - Nut M8

12



I - M4 Allen Key

1



J - M5 Allen Key

1



K - M8 Spanner

1



L - Protective Pad

6



M - Black Pin

8



N - Mattress Stopper

2



O - M6×50 Bolt

4



P - Spring Washer M6

12



Q - M6×60 Bolt

8



Materials

1 - Headboard

1 piece(s)



2 - Footboard

1 piece(s)



3 - Left Gas Lift Frame

1 piece(s)



4 - Right Gas Lift Frame

1 piece(s)



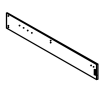
5 - Gas Lift Machine

2 piece(s)



6 - Right Side Rail

1 piece(s)



7 - Left Side Rail

1 piece(s)



8 - Wood Slats (28 for Double, 30 for King) 28 piece(s)



9 - Single Close Ended Clip (28 for Double, 30 for King) 28 piece(s)



10 - Double Open-Ended Clip (14 for Double, 15 for King) 14 piece(s)



11 - Side Rail Metal Bar 2 piece(s)



12 - Headboard and Footboard Metal Bar 2 piece(s)



13 - Side Rail Connector Metal Bar 1 piece(s)



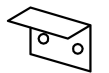
14 - Middle Metal Bar 1 piece(s)



15 - Support Legs 2 piece(s)



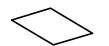
16 - Black Back Plate 1 piece(s)



17 - Gold Corner 2 piece(s)



18 - Black Nonwoven Fabric 1 piece(s)



19 - Gas Lift Strap 1 piece(s)



20 - Night Stand 2 piece(s)



21 - Right Side Wing

1 piece(s)



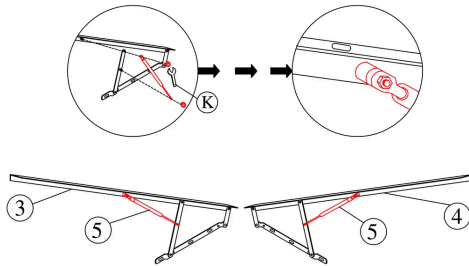
22 - Left Side Wing

1 piece(s)



Steps (13)

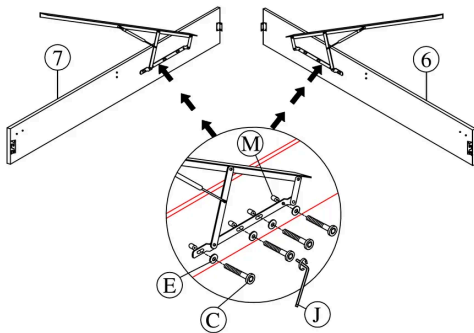
1. ****Attach the Gas Lift Machines****



- Position the Gas Lift Machine (05) onto the Left Gas Lift Frame (03) and Right Gas Lift Frame (04).
- Align the connection points and secure each end using the pre-installed bolts. Tighten firmly using the Spanner (K).

Check: Both gas lift machines should be securely attached and aligned symmetrically on each frame.

2. ****Attach the Gas Lift Frames to the Side Rails****

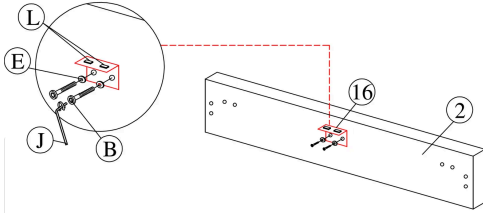


- Position the Left Side Rail (07) and Right Side Rail (06) onto the corresponding Gas Lift Frames.
- **Insert the Black Pins (M) between the Side rail and Gas Lift Frame.**
- Align the mounting holes and secure each frame using Bolt (C) with Flat Washer (E). Tighten using the Allen Key (J).

Check: Both sides should be securely fixed and move smoothly without wobbling.



3. ****Attach the Black Back Plate****



- Position the Black Back Plate (16) onto the Footboard (02) as shown.
- Align the holes and secure using Bolt (B) with Flat Washer (E). Tighten with the Allen Key (J).
- Apply the Protective Pads (L) to the indicated surfaces before securing.

Check: The back plate should sit flush against the footboard and be firmly secured.

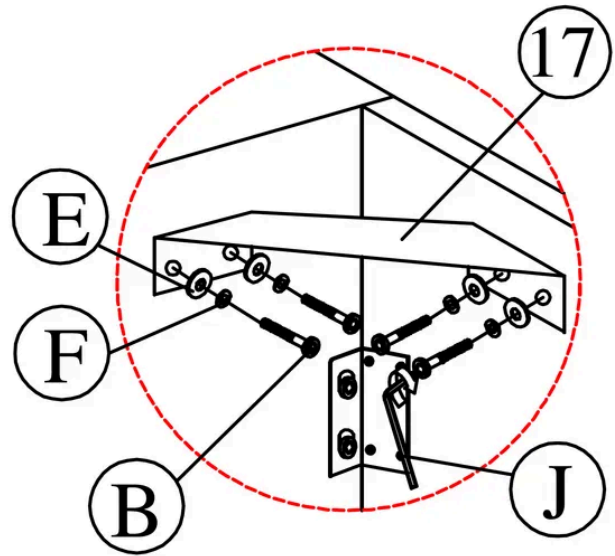
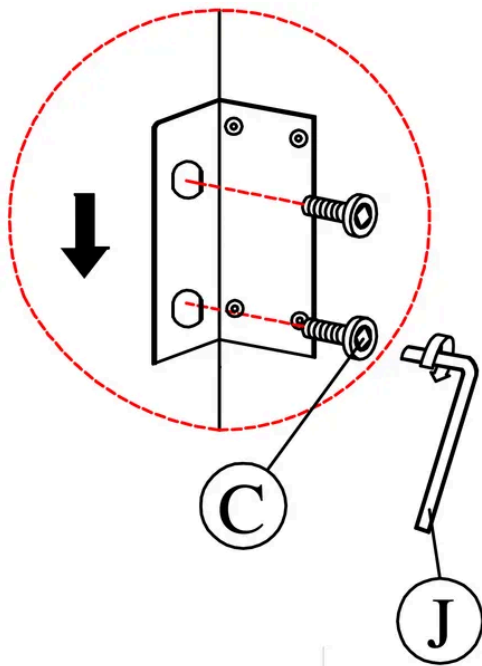
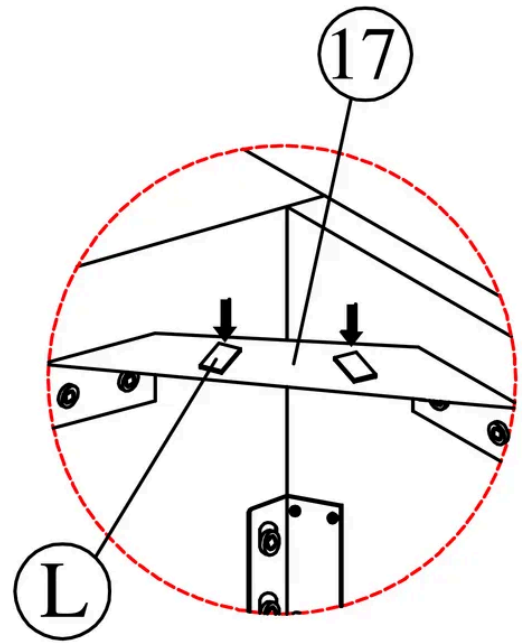
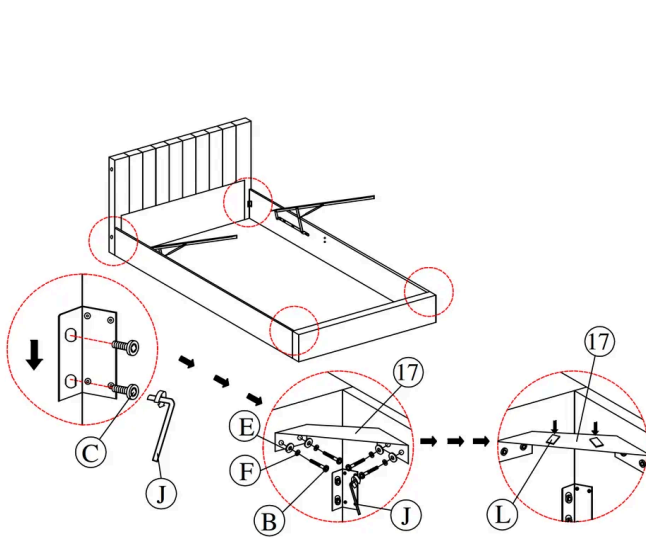


4. ****Assemble the Bed Frame****

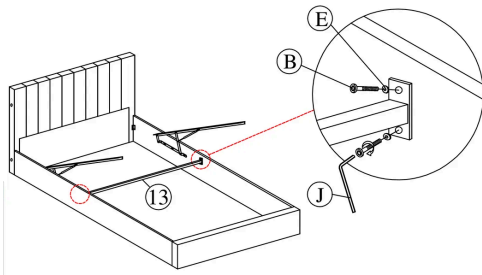
- Position the Headboard (01), Footboard (02), and side rail together like pictured.
- Align all corner joints and secure using Bolt (C). Tighten with the Allen Key (J).
- Attach the Gold Corners (17) inside both corners of the Footboard using Bolt (B), Flat Washer (E), and Spring Washer (F). Tighten fully.
- Apply the Protective Pads (L) to the top surfaces of the corner brackets as shown.

Check: The frame should be square, stable, and all corners firmly secured





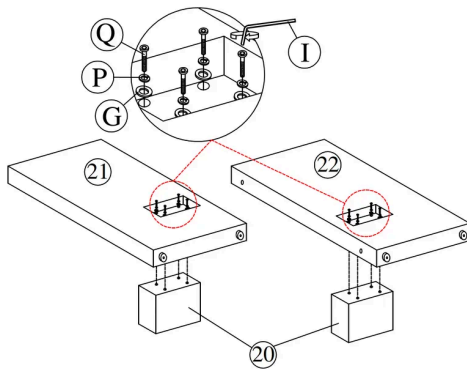
5. ****Attach the Side Rail Connector Metal Bar****



- Position the Side Rail Connector Metal Bar (13) between the side rails as shown.
- Align the holes on both ends and secure using Bolt (B) with Flat Washer (E). Tighten with the Allen Key (J).

Check: The connector bar should be firmly secured and centered between both side rails.

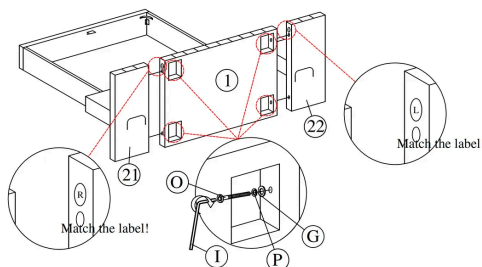
6. ****Attach the Side Wings to the Night Stands****



- Position the Right Side Wing (21) and Left Side Wing (22) onto the Night Stands (20).
- Align the holes and secure each using Bolt (Q) with Flat Washer (G) and Spring Washer (P). Tighten with the Allen Key (I).

Check: Both side wings should be firmly attached and aligned evenly on the night stands.

7. ****Attach the Night Stands to the Headboard****



- Position the assembled Night Stands (20) with Side Wings (21, 22) onto the Headboard (01).
- Match the labels on both sides before attaching.
- Align the holes and secure using Bolt (O) with Flat Washer (G) and Spring Washer (P). Tighten with the Allen Key (I).

Check: Both night stands should be aligned evenly and firmly secured to the headboard.

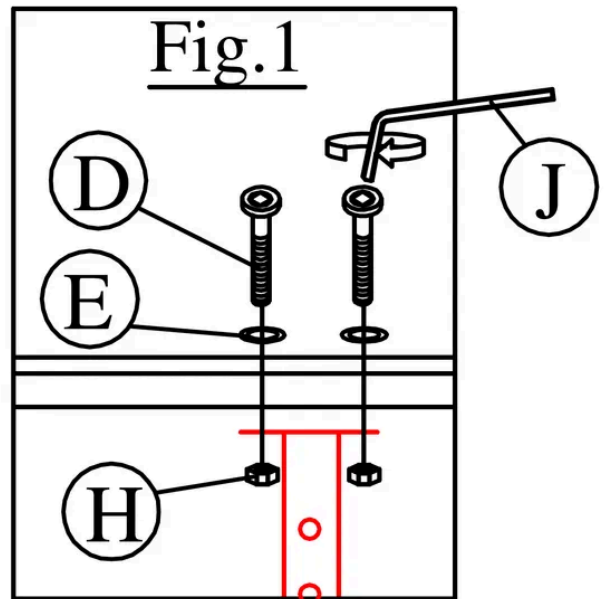
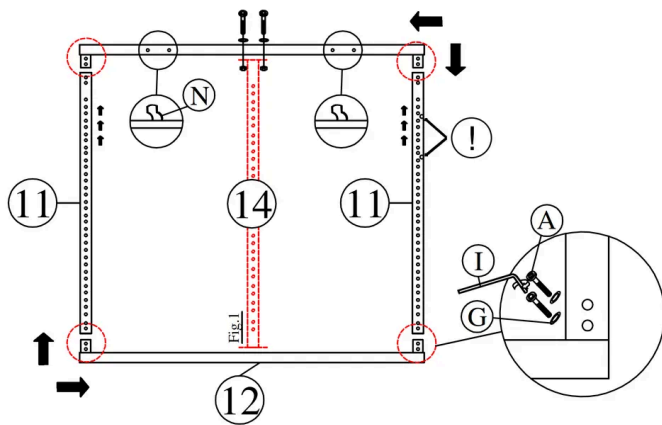


8. **Assemble the Metal Support Structure**

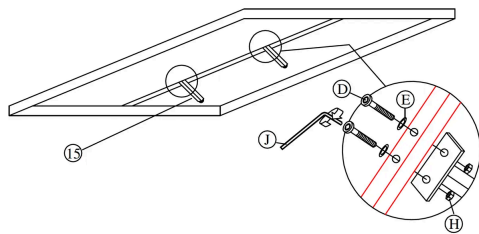
- Position the Side Rail Metal Bars (11), Headboard and Footboard Metal Bars (12), and Middle Metal Bar (14) as shown.
- Align all connection points and secure using Bolt (A) with Flat Washer (G). Tighten with the Allen Key (I).
- Install the Mattress Stoppers (N) onto the top bar in the indicated positions.

Important: (!) Ensure the three holes on both side rails are aligned on the same side before tightening.

Check: The metal structure should be straight, aligned, and securely fixed.



9. **Attach the Support Legs**



- Position the Support Legs (15) onto the metal frame as shown.
- Align the holes and secure each leg using Bolt (D) with Flat Washer (E) and Nut (H). Tighten using the Allen Key (J).

Check: All support legs should be firmly secured and evenly positioned to provide stable support.

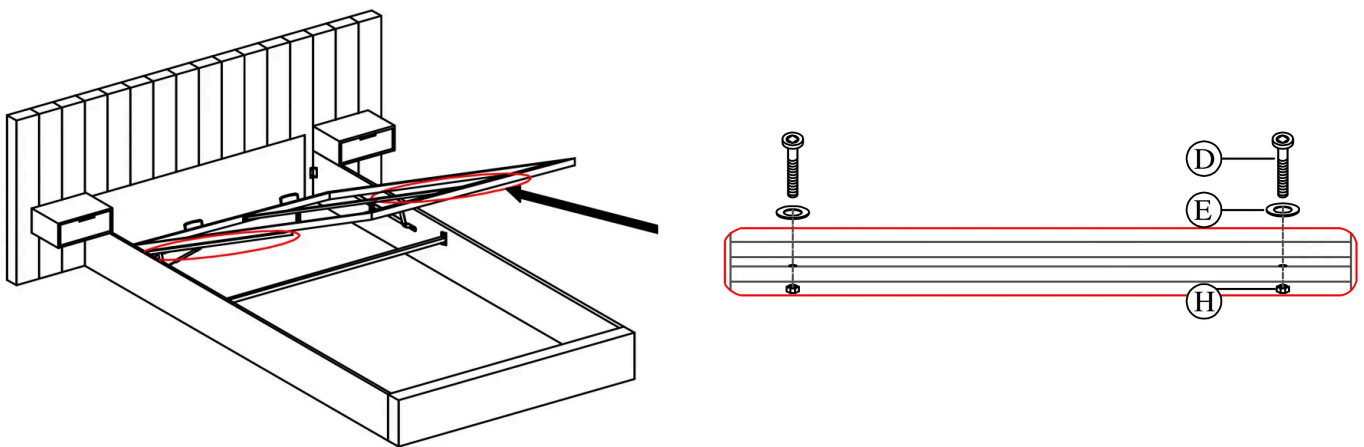


10. **Attach the Metal Bar to the Gas Lift Frame**

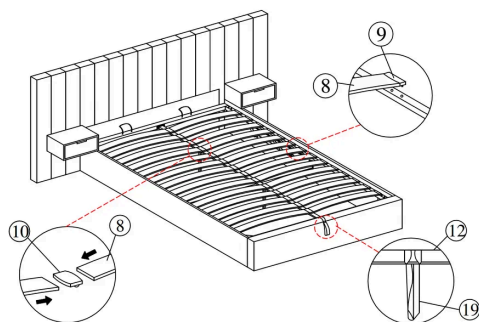
- Position the metal bar onto the gas lift frame as shown.
- Align the holes and secure using Bolt (D) with Flat Washer (E) and Nut (H). Tighten securely.
- Lower the frame into position.

Important: Heavy duty gaslift machines are used. Ensure to exert sufficient force while pulling down the storage compartment using the center strap only.

Check: The frame should be securely attached and move correctly with the gas lift mechanism.



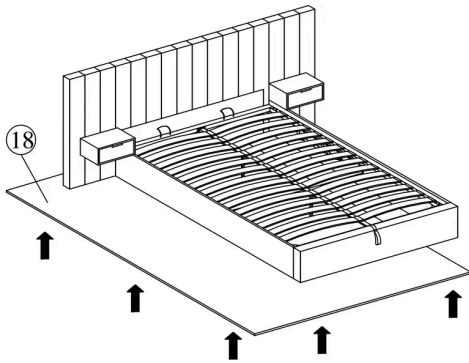
11. **Install the Wood Slats and Clips**



- Insert the Wood Slats (08) into the Single Close Ended Clips (09) and Double Open-Ended Clips (10) as shown.
- Place each slat evenly across the frame and press firmly into position.
- Ensure the slats are properly connected along the center support.
- Attach the Gas Lift Strap (19) to the frame in the indicated position.

Check: All slats should be evenly spaced, securely clipped, and firmly supported across the frame.



12. **Attach the Bottom Fabric**

- Position the Black Nonwoven Fabric (18) underneath the bed frame as shown.
- Align it evenly with the base and secure it in place.

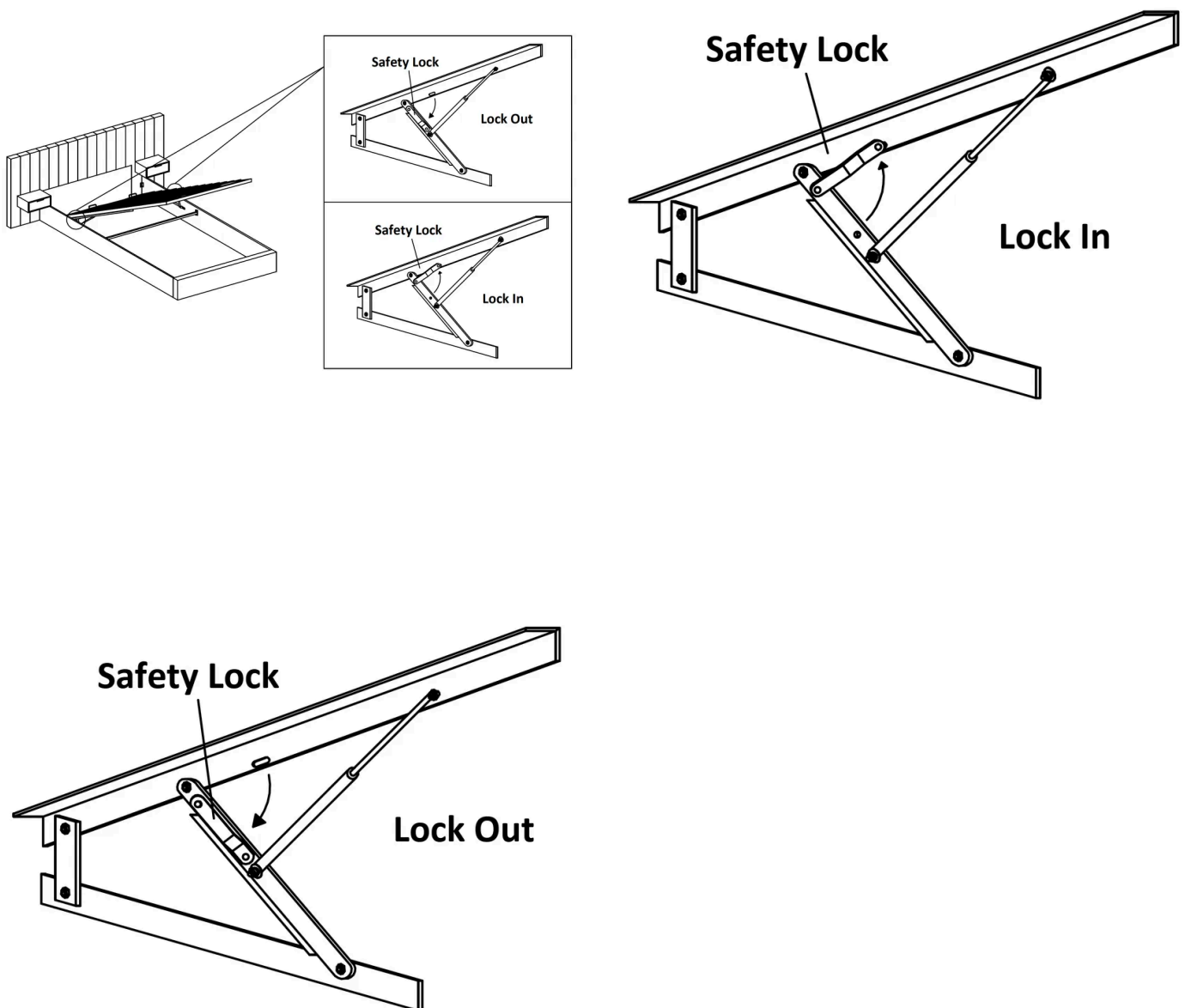
Check: The fabric should fully cover the bottom area and be properly aligned without folds.



13. ****Use the Safety Lock****

- Lift the bed frame using the gas lift mechanism to access the storage area.
- Engage the Safety Lock to hold the frame in the open position (**Lock In**).
- To close, release the Safety Lock (**Lock Out**) and carefully lower the frame.

Important: Always ensure the safety lock is properly engaged before accessing the storage area.



Instructions by Time4Sleep Products
Serenity Upholstered Ottoman Hotel Bed Frame