



Instructions by Time4Sleep Products

Portofino Upholstered Hotel Bed Frame

Assembly instructions for Portofino Upholstered Hotel Bed Frame by Time4Sleep

Product Information

Portofino Upholstered Hotel Bed Frame

Description

Looking to create that boutique hotel look? The Portofino Hotel bed offers a stunning look, combined with the practicality of integrated bedside shelving. Clean, elegant lines make this bed ideal for creating a modern, contemporary look. The bed comes with a spring slatted base for extra comfort and support. Get the look for less!

SKU

PortNat46Hotel, PortNat50Hotel

****Safety and usage guidelines****

- Ensure the bed is operated by adults only and not used by children under 12 years old.
- Always lift and lower the bed with the mattress in place, using the handle and keeping clear of the mechanism to avoid entrapment.
- Make sure the ottoman is fully open before accessing the storage area.
- Do not reach into the storage area through the hinge mechanism.
- Keep children and pets away from the storage area and do not stand inside it.
- Regularly inspect the bed to ensure it is functioning correctly.

Best Practices

Note: Be careful what you store under the bed. Items such as suitcases or boxes must not touch the slats, as this may cause damage.

Maximum storage height is 220 mm.

Tips:

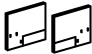
- Make sure the hooks are facing upward and toward the inside of the bed frame.
- Ensure the frame is square before fully tightening in the next steps.
- Ensure all brackets are evenly positioned before tightening.



- Check that all corners are aligned before final tightening.
- Ensure both mechanisms are installed symmetrically before tightening.
- Ensure the cover is evenly spread with no folds or creases.
- Ensure the cross bar is centered and securely fixed.
- Ensure the slat frame is centered and properly aligned before tightening.
- Do not over-tighten the nut, as the piston must be able to move smoothly.
- Do not fully tighten the bolts until the frame is correctly aligned.
- Do not over-tighten the nut, as the piston must move smoothly during operation.




Materials

A1 and A2 - Headboard 2 piece(s) 

B - Footboard 1 piece(s) 

C - Side Rail 2 piece(s) 

D - Slat (24 for Double, 26 for King) 26 piece(s) 

E - Center Rail 1 piece(s) 


F - Support Leg 2 piece(s) 


G - Bolt JCBB M8 × 30 8 piece(s) 

H - Bolt JCBC M6 × 40 2 piece(s) 

I - Allen Key (M5) 1 piece(s) 

J - Allen Key (M4) 1 piece(s) 


K - Screw CSK M4 × 25 mm 1 piece(s) 

L - Screw CSK M4 × 32 mm 29 piece(s) 

M - Small Adjuster 2 piece(s) 


N - U Bracket 1 piece(s) 

O - Spring Washer 10 piece(s) 

P - Flat Washer 10 piece(s) 

Q - Bolt JCBC M6 × 50 2 piece(s) 

R - Night Stand 2 piece(s) 

S - Screw CSK M4 × 20 mm 4 piece(s) 

T - Bolt JCBC M6 × 60 8 piece(s) 



U - Middle Holder (12 for Double, 13 for King)

13 piece(s)

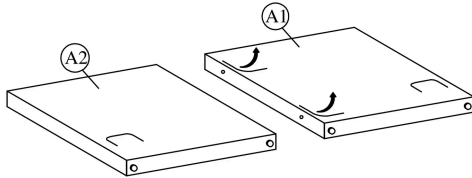


V - End Holder (24 for Double, 26 for King) 26 piece(s)



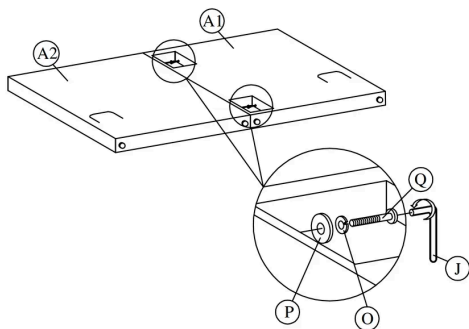
Steps (8)

1. ****Unzip the Headboard Fabric****



- Unzip the black non-woven fabric on the back of Headboard (A1).
- Open it fully to access the internal fittings.

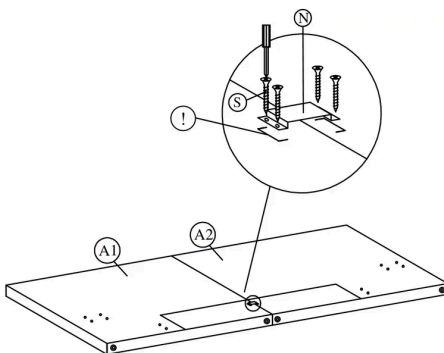
2. ****Join the Headboard Panels****



- **(From the back view)** Position Headboard panels (A1) and (A2) together.
- Insert Bolt (Q) with Flat Washer (P) and Spring Washer (O) as shown.
- Tighten using Allen Key (J) until both panels are securely connected.

Tip: Ensure both panels are aligned before fully tightening.

3. ****Attach the U Bracket****

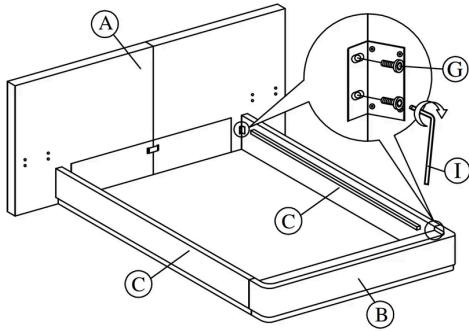


- **(From the front view)** Position the U Bracket (N) onto the Headboard (A1 + A2) using the marked fixing points.
- Align the bracket with the pre-drilled holes.
- Secure using Screws (S) and tighten firmly.

Tip: Ensure the bracket is centered and aligned with the markings before tightening.



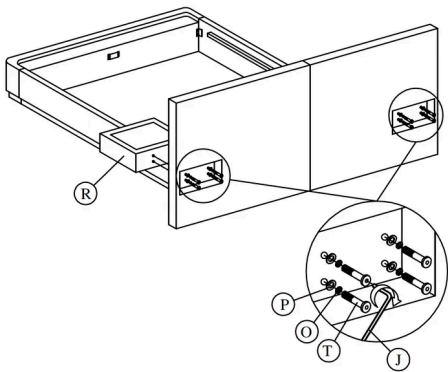
4. ****Attach the Side Rails****



- Position the Side Rails (C) between the Headboard (A) and Footboard (B).
- Align the fixing points and insert Bolts (G) on both ends.
- Tighten using Allen Key (I) until securely fixed.

Tip: Do not fully tighten all bolts until both side rails are correctly aligned.

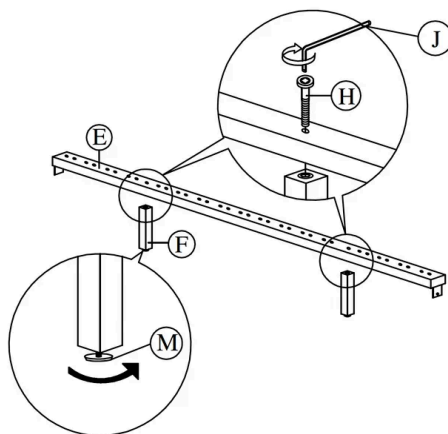
5. ****Attach the Night Stand****



- Position the Night Stand (R) against the Headboard (A) as shown.
- Align the fixing points from the back side.
- Insert Bolts (T) with Flat Washer (P) and Spring Washer (O), then tighten using Allen Key (J).

Tip: Tighten all bolts evenly to ensure the night stand is level and secure.

6. ****Attach the Support Legs****

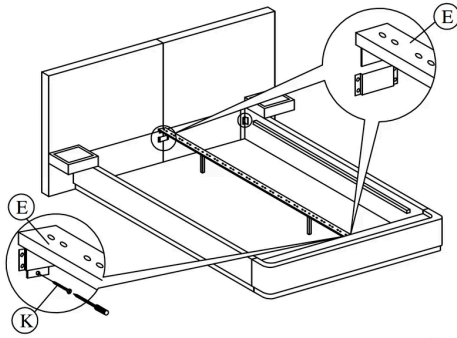


- Position the Support Legs (F) onto the Center Rail (E) as shown.
- Insert Bolts (H) and tighten using Allen Key (J) until secure.
- Attach the Small Adjusters (M) to the bottom of each leg.

Tip: Adjust the feet so they sit approximately 5–8 mm above the floor before placing the mattress.



7. **Install the Center Rail**



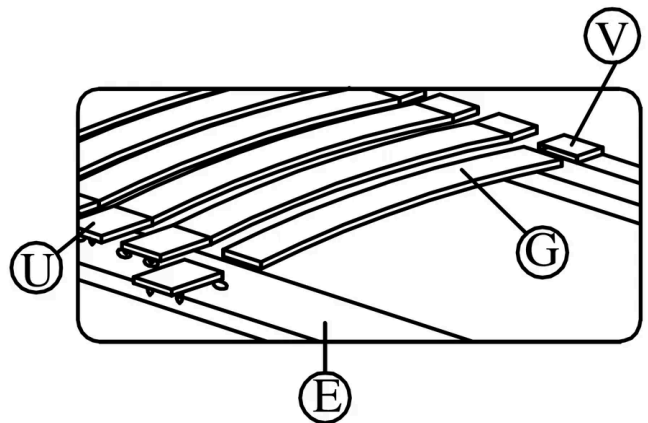
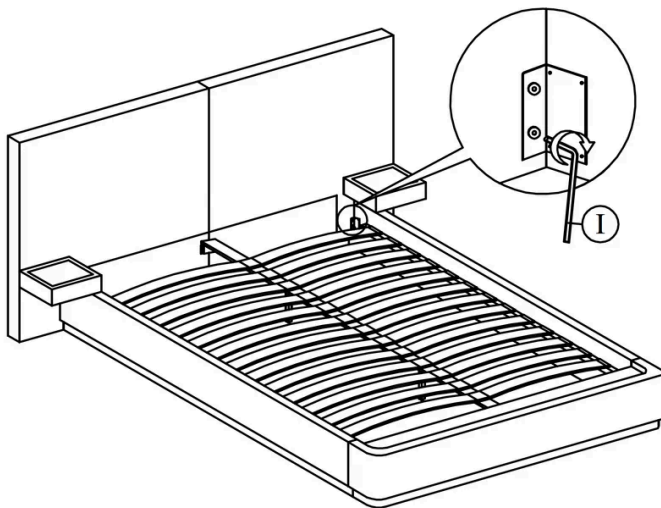
- Slide the Center Rail (E) into position between the Headboard (A) and Footboard (B).
- Align the ends with the fixing and push the rail into the brackets.
- Secure using Screws (K) and tighten with a screwdriver (not included).

Important: Ensure Screws (K) are installed exactly as shown to prevent the base from collapsing.

8. **Tighten Corners and Install Slats**

- Tighten all four corners of the bed frame using Allen Key (I).
- Attach the Middle Holders (U) and End Holders (V) onto the Center Rail (E) and Side Rails.
- Insert the Slats (D) into the holders and position them evenly across the frame.

Tip: Ensure all slats are securely clipped into the holders before use.



Instructions by Time4Sleep Products

Portofino Upholstered Hotel Bed Frame