

Instructions by Time4Sleep Products

Mayfair 4 Drawer Upholstered Bed Frame

Assembly instructions for Mayfair 4 Drawer Upholstered Bed Frame

Product Information

Mayfair 4 Drawer Upholstered Bed Frame

Description

Upgrade your bedroom with our Mayfair 4 Drawer Upholstered Bed Frame bed, designed to combine comfort and practicality.

Featuring a floor-standing strutted headboard with a modern panelled effect, it creates a bold focal point while offering excellent support. The soft fabric finish adds a touch of luxury, perfect for relaxing evenings.

Built with convenience in mind, the bed includes four spacious drawers seamlessly integrated into the base, providing ample storage for bedding, clothing, or everyday essentials.

Durable, elegant, and functional, this bed frame is an ideal choice for maximizing both style and space in any bedroom.

SKU

May46Beige4Drw, May50Beige4Drw,
May46Grey4Drw, May50Grey4Drw

Important Safety Considerations

- **Centre Legs Adjustment:** Please note that the recommended process for adjusting centre legs when assembling your bed.
- **Support Legs:** Before placing the mattress on the base, **please ensure that the support legs are not touching the floor and there is a slight gap.** When the bed is then in use the support legs will sit firmly on the solid surface. **Please ensure that legs are vertical**
- **Laminate Flooring:** DUE TO THE NATURE OF LAMINATE / WOODEN FLOORING WE RECOMMEND THAT YOU PLACE A SMALL PIECE OF NON SLIP MATERIAL UNDER THE LEGS WHICH WILL GIVE YOU THE FLEXIBILITY THE ADJUSTERS NEED.
- **Moving the bed:** When moving the bed it is essential that it is **lifted** into the new position.



- **Never drag** the bed as this will move the legs from the vertical position thus weakening the support of the centre rail.
- Adhering to the recommended process should ensure that your bed gives you years of trouble free service.

Before You Start

- Please read this sheet prior to assembly to familiarise yourself with the various stages of construction. Carefully open the pack supplied and check the contents against the parts and fittings check list.
- Do not destroy any of the packaging until you are certain that you have all the necessary parts for the assembly.
- Please ensure that the packaging is disposed of in a safe environmentally friendly way.
- **Caution:** There are small components used in the construction of this unit. These loose items should be kept away from young children during assembly, to avoid danger of choking.
- **Important:** Before starting to assemble the bed - please read these instructions carefully.



Tools

1 - Allen Key 65mm

1



2 - Allen Key 70mm

1



3 - JCBB M8 x 20

8



4 - JCBC M6 x 30

8



5 - JCBC M6 x 50

8



6 - JCBC M6 x 60

4



7 - CSK Screw 16mm

64



8 - CSK Screw 32mm

90



9 - CSK Screw 50mm

32



10 - Spring Washer

8



11 - Flat Washer

16



12 - Roller

16



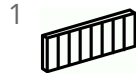
13 - Power Nail 6/8

96

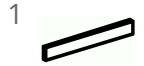


Parts

A - Headboard



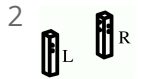
B - Footboard



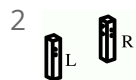
C1 and C2 - Side Rails



D - Headboard Legs



E - Footboard Legs



F - Siderail Legs (280 x 80 x 30mm)



G - Center Rail (800mm)



H - 16 Slats (1327mm)



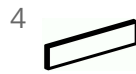
I - Support Legs (30 x 30 x 300mm)



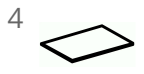
J - Drawer Front Panel



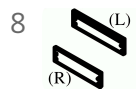
K - Drawer Back Panel



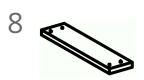
L - Drawer Bottom Panel



M - Drawer Side Panel



N - Bottom Panel Big Support Wood



O - Bottom Panel Small Support Wood



P - Side Rail Support

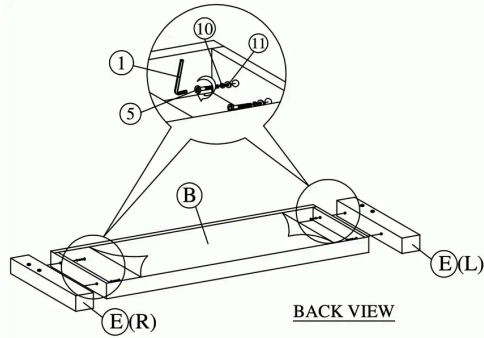


Q - Cross Bar (1327 x 20 x 25mm)



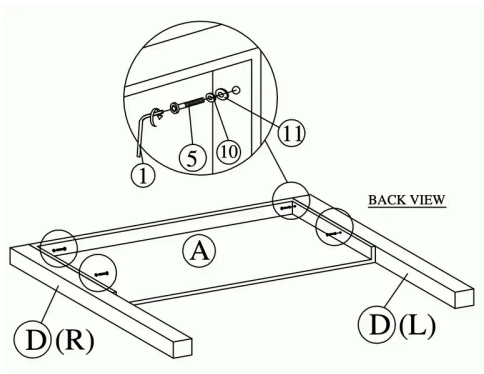
Steps (13)

1. Secure Footboard Assembly



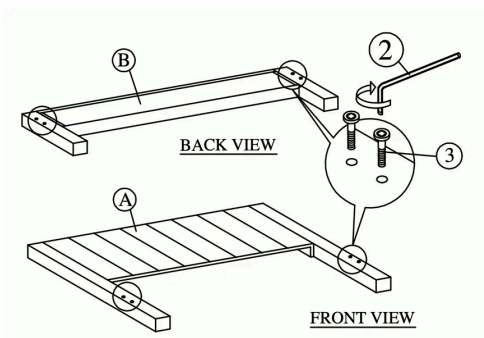
- Secure the footboard (B) to the footboard legs (E) using JCBC M6 x 50 bolts (5), spring washers (10), and flat washers (11).
- Tighten the bolts with the Allen Key 65mm (1).

2. Headboard Leg Attachment



- Attach the headboard legs (D) to the headboard (A) using JCBC M6 x 50 bolts (5), spring washers (10), and flat washers (11).
- Tighten the bolts with the Allen Key 65mm (1).

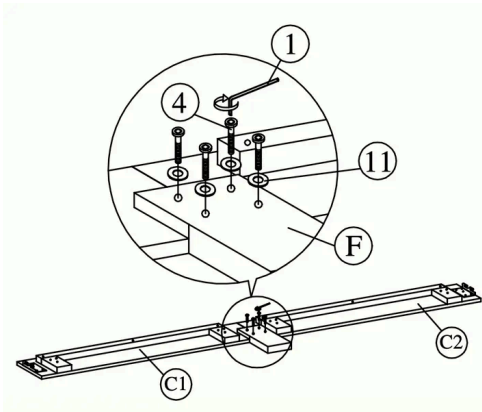
3. Connect Headboard to Footboard



- Attach the JCBCB M8 x 20 bolts (3) to the headboard (A) and the footboard (B).
- Tighten the bolts with the Allen Key 70mm (2) but still leave a small gap.

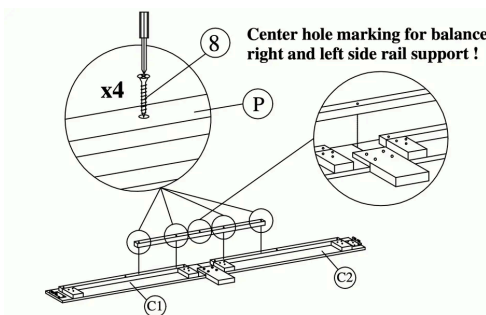


4. Attach and Secure Siderail Legs



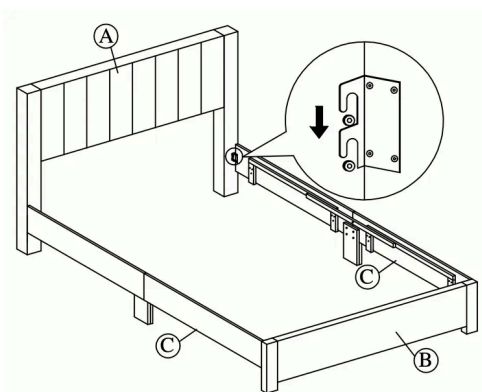
- Attach the siderail legs (F) to the side rails (C1 and C2) using JCBC M6 x 30 bolts (4) and flat washers (11).
- Secure the bolts by tightening them with the Allen Key 65mm (1).

5. Align and Secure Side Rails



- Attach Side Rail Supports: Align the side rail supports (P) with the center hole markings on the side rails (C1 and C2) for balance.
- Secure each support with four CSK Screws 32mm (8) using a screwdriver.

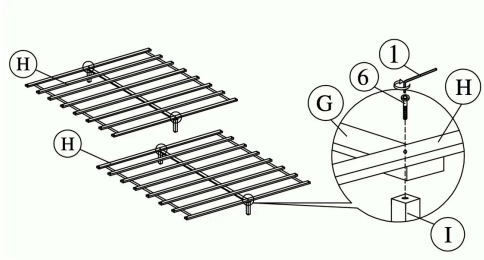
6. Center Rail Installation



- Attach the Siderails (C) to Headboard (A) and Footboard (B) by hooking the bracket over the bolts and pushing down. Ensure these are finger tight but don't tighten these fully.

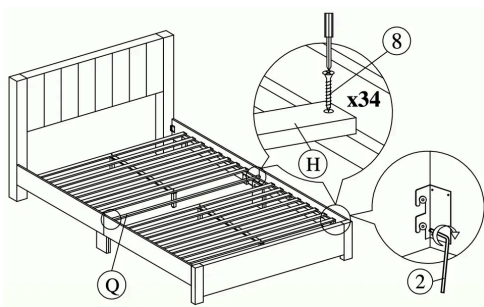


7. Slat and Leg Installation



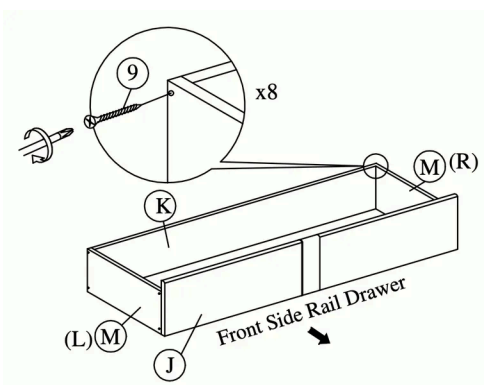
- Position the slats (H) across the center rail (G) and side rails.
- Attach the support legs (I) to the center rail using JCBC M6 x 60 bolts (6).
- Secure the bolts with the Allen Key 65mm (1) to ensure stability.

8. Cross Bar Support Installation



- Make sure the frame is square and tighten all bolts securing the Siderails to the Headboard and Footboard using Allen Key (2).
- Install the Bed Slats (H) and position the Cross Bar (Q) across the width of the bed and onto the siderail for additional support.
- Use 34 CSK Screws 32mm (8) to secure each slat and the Cross Bar (Q) to the siderail, ensuring they are evenly spaced and firmly attached.
- Use a screwdriver for this step.

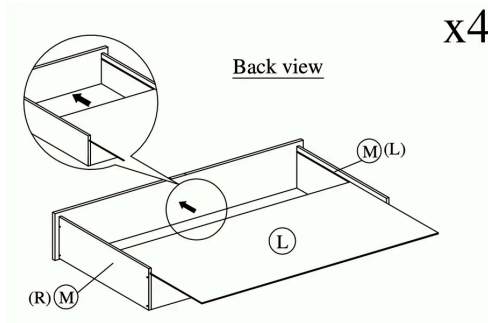
9. Drawer Structure Assembly



- Connect the Drawer Front Panel (J), Drawer Back Panel (K) and Drawer Side Panels (M) to form the drawer structure.
- Use eight CSK Screws 50mm (9) to secure the panels together.
- Tighten the screws with a screwdriver to ensure the drawer is stable and properly aligned.

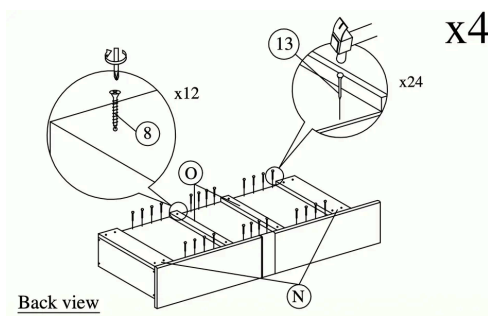


10. Drawer Bottom Panel Installation



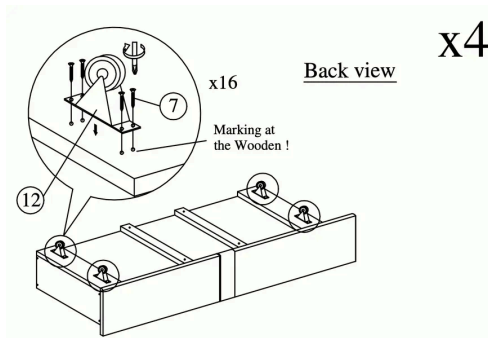
- Attach the Drawer Bottom Panel (L) to the assembled drawer structure by sliding it into the grooves of the Drawer Side Panels (M).
- Ensure it fits securely and aligns properly with the back view as shown.
- Repeat this process for all four drawers.

11. Support and Roller Attachment



- Attach the Bottom Panel Big Support Wood (N) and Bottom Panel Small Support Wood (O) to the Drawer Bottom Panel (L) using 12 CSK Screws 32mm (8) for each drawer.
- Ensure the supports are aligned properly.
- Use 24 Power Nails (13) to secure the Bottom Panel (L) as per the image.
- Repeat this process for all four drawers.

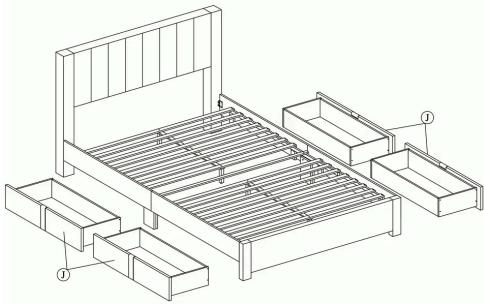
12. Roller Alignment and Attachment



- Attach the Roller (12) to the Bottom Panel Big Support Wood (N) using four CSK Screws 16mm (7) for each roller.
- Ensure the rollers are aligned with the markings on the wood for proper placement.
- Repeat this process for all four drawers to ensure smooth operation.



13. Drawer Installation and Alignment



- Insert the assembled drawers into the designated spaces under the bed frame.
- Ensure each Drawer Front Panel (J), slides smoothly into place and aligns properly with the frame.
- Repeat this process for all four drawers to complete the installation.



Instructions by Time4Sleep Products

Mayfair 4 Drawer Upholstered Bed Frame