

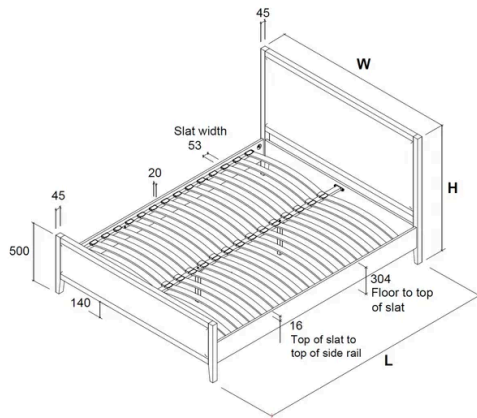
Instructions by Time4Sleep Products

Fontainebleau Oak Bed Frame

Assembly instructions for Fontainebleau Oak Bed Frame by Time4Sleep

Product Information

Fontainebleau Oak Bed Frame



Description

Introduce timeless elegance to your bedroom with the Fontainebleau Standard Bedstead, a beautifully crafted frame designed to bring style, stability, and comfort to your sleeping space. Available in Double and King, this bedstead features a clean, classic silhouette that complements both contemporary and traditional interiors.

Product specifications

	Double	King
Width	144 cm	159 cm
Length	202 cm	212 cm
Height	110 cm	110 cm

SKU

Font46oak, Font50oak, Font60oak

Before you start

- Please read this sheet prior to assembly to familiarise yourself with the various stages of construction. Carefully open the pack supplied and check the contents against the parts and fittings check list.



- Do not destroy any of the packaging until you are certain that you have all the necessary parts for the assembly.
- Please ensure that the packaging is disposed of in a safe environmentally friendly way.
- **Caution:** There are small components used in the construction of this unit. These loose items should be kept away from young children during assembly, to avoid danger of choking.

General Hints & Tips


- Two person assembly
- Please retain your assembly instruction and tools provided for future use. Periodically check that all bolts are still tight.


Care & Maintenance


In the unlikely event of missing or damaged parts, please contact your retailer. Please have this guide at hand quoting the part code reference numbers shown when requesting spare or replacement parts.



Tools


A - Flat Washer For (M8xØ16mm) Bolts 6 

B - Flat Washer For (M8xØ14mm) Bolts 8 


C - Flat Washer For (M8xØ14mm) Bolts 8 


D - Bolt (M8x18mm) 4 


E - Bolt (M8x40mm) 2 


F - Threaded Stud (M8x65mm) 8 

G - Nut For M8 Bolts 8 


H - Half Moon Bracket M8 8 

I - Wooden Dowel (Ø8x30mm) 4 

J - Allen Key For M8 Bolts 1 

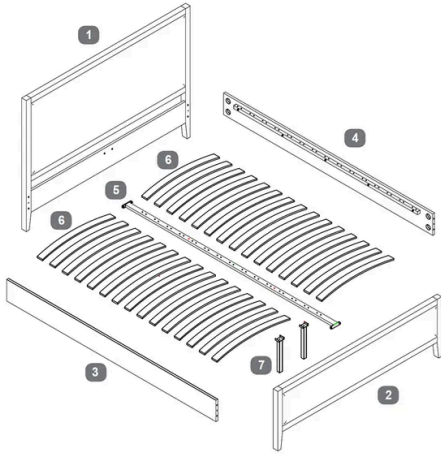
K - Spanner For M8 Nuts 1 

L - Slat End Cap (28 for Double, 30 for King) 28 

M - Slat Centre Cap (14 for Double, 15 for King) 14 



Parts

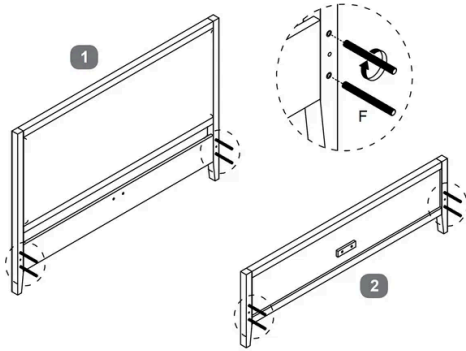


1	Headboard	1 piece(s)
2	Footboard	1 piece(s)
3	Side Rail - LH	1 piece(s)
4	Side Rail - RH	1 piece(s)
5	Centre Support Rail	1 piece(s)
6	Bentwood Slats (28 for Double, 30 for King)	28 piece(s)
7	Leg for Support Rail	2 piece(s)



Steps (7)

1. Insert the Threaded Studs into the Headboard and Footboard

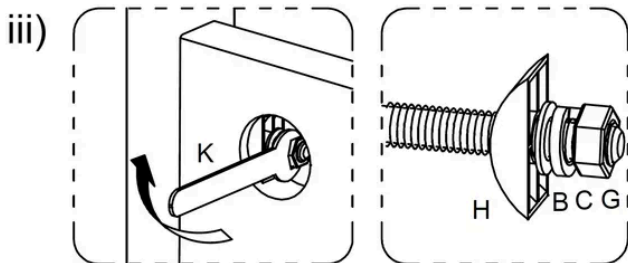
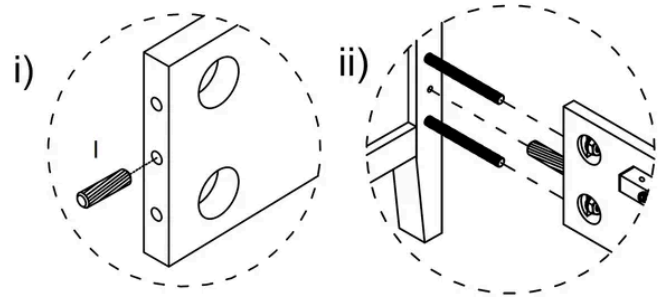
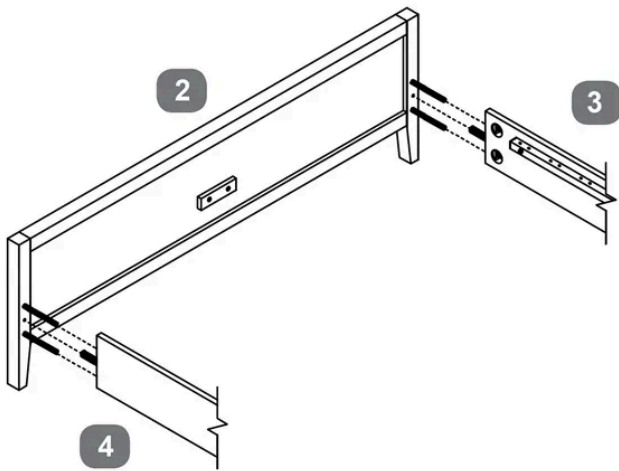


1. Lay the **Headboard (1)** and **Footboard (2)** upright.
2. Insert a **Threaded Stud (F)** into each pre-drilled hole on the inner faces of both panels.
3. Rotate each stud clockwise until fully tightened by hand.
4. Verify that all studs sit straight and securely in place.



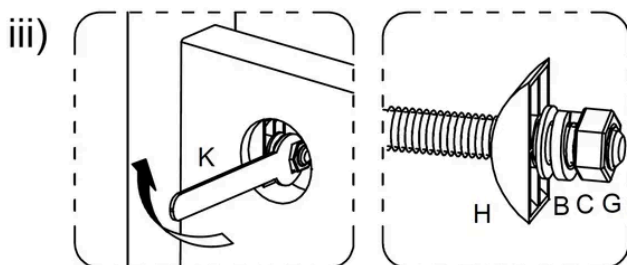
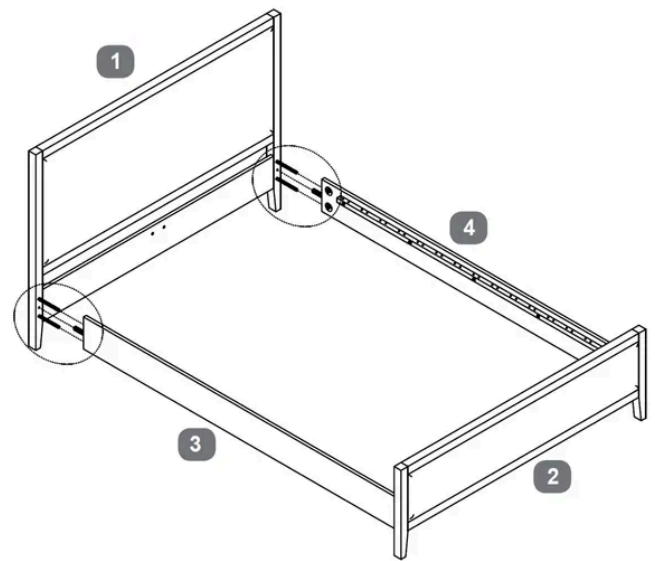
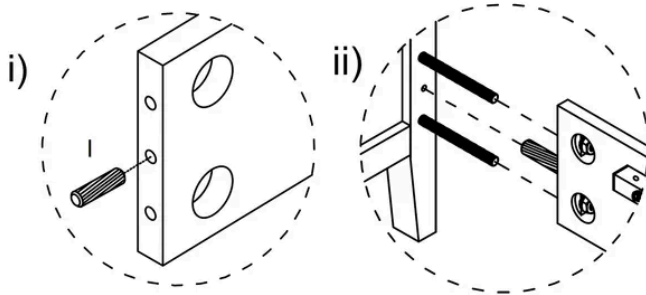
2. Prepare and Secure the Side Rails to the Footboard

1. Insert a **Wooden Dowel (I)** into the small pre-drilled hole at the end of each side rail (Left 3, Right 4).
2. Align the side rails with the **Threaded Studs (F)** on the **Footboard (2)** and slide the rails fully onto the studs.
3. Fit a **Half Moon Bracket (H)** onto each stud inside the rail, followed by **Washer B**, **Washer C**, and a **Nut (G)**.
4. Tighten each nut using the **Spanner (K)** until the connection is secure.
5. Verify that both side rails are firmly locked and sit flush against the footboard.



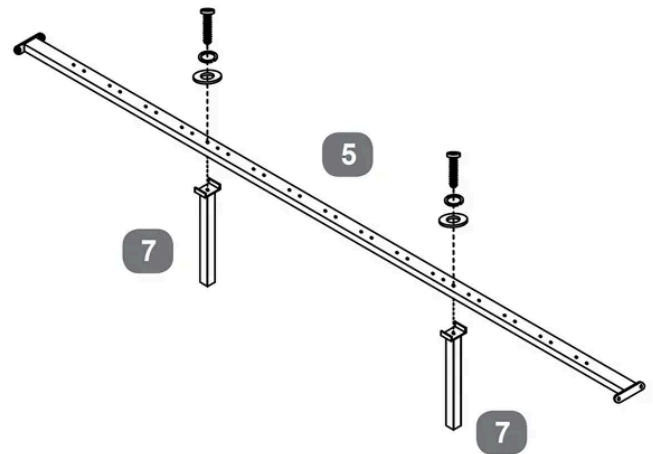
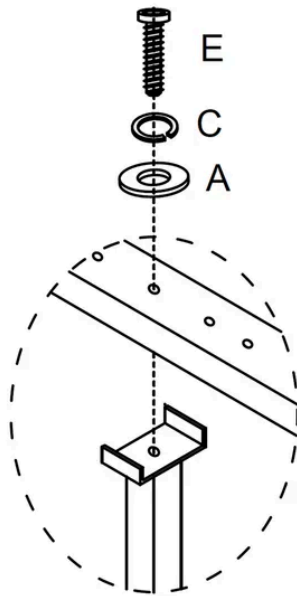
3. Attach the Side Rails to the Headboard

1. Insert a **Wooden Dowel (I)** into the small pre-drilled hole at the front end of each side rail.
2. Align the **Left Side Rail (3)** and **Right Side Rail (4)** with the **Threaded Studs (F)** on the **Headboard (1)**. Slide each side rail fully onto the studs.
3. Place a **Half Moon Bracket (H)** onto each stud inside the rail, followed by **Washer B**, **Washer C**, and a **Nut (G)**.
4. Tighten the nut using the **Spanner (K)** until the connection is secure.
5. Verify that both rails sit flush against the headboard and the full bed frame is now stable and aligned.



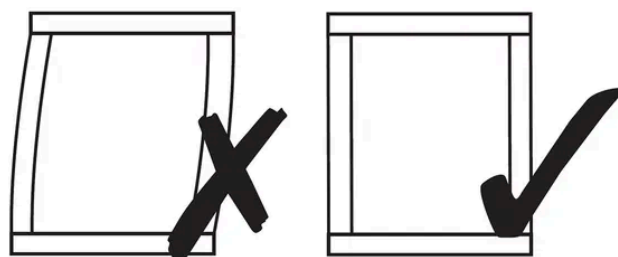
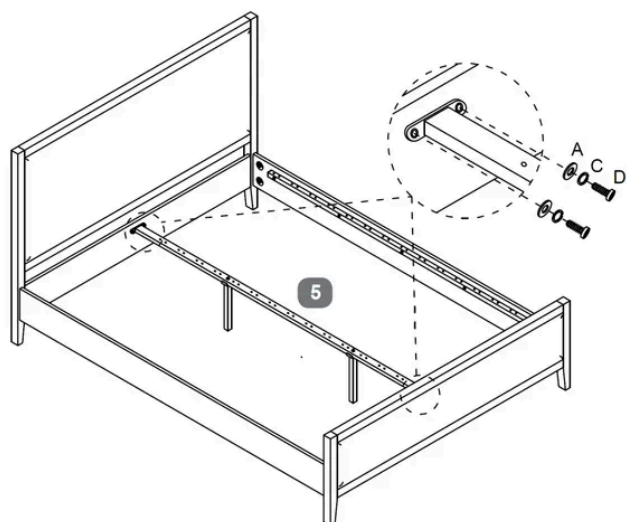
4. Attach the Support Legs to the Centre Support Rail

1. Position the **Centre Support Rail (5)** with the pre-drilled holes facing upward.
2. Align a **Support Leg (7)** under the centre rail so the top hole matches the hole in the rail.
3. Insert **Bolt E** through **Washer A** and **Washer C**, then tighten the bolt into the leg.
4. Repeat the process for the second support leg.
5. Verify that both legs are firmly attached and stand straight.



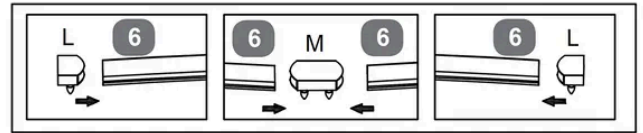
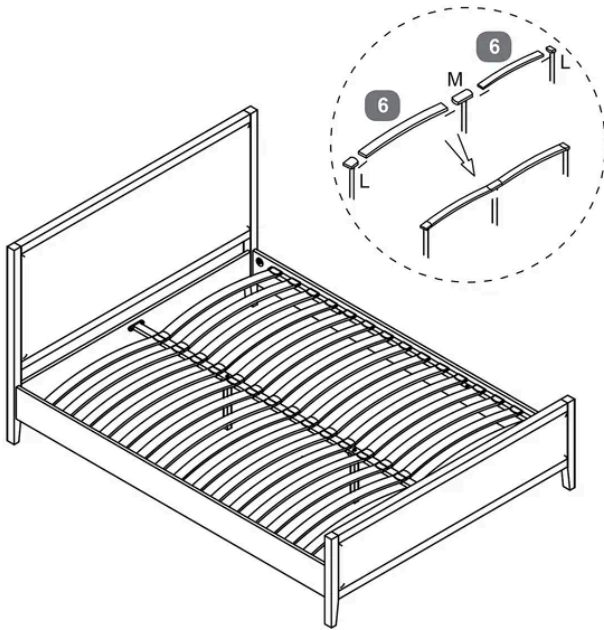
5. Fix the Centre Support Rail to the Bed Frame

1. Position the **Centre Support Rail (5)** between the two side rails.
2. Align the end plates of the centre rail with the pre-drilled holes on each side rail.
3. Insert **Bolt D** through **Washer A** and **Washer C**, then fasten the centre rail to each side rail.
4. Ensure the full bed frame is **properly squared**, as shown in the diagram. Once aligned, tighten all bolts on the bed frame **100%**.

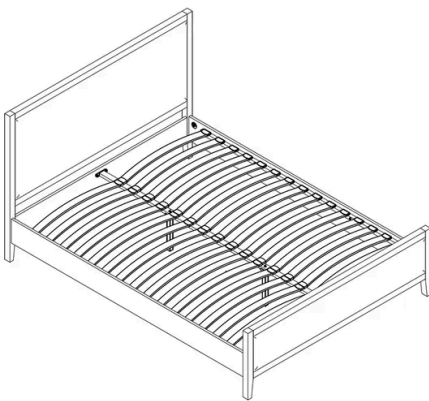


6. Fit the Slats onto the Side Rails and Centre Support Rail

1. Insert a **Slat End Cap (L)** onto each end of every **Bentwood Slat (6)**.
2. For each pair of slats that meet at the centre rail, attach a **Slat Centre Cap (M)** to join them.
3. Press each slat down firmly so the end caps lock into the slots on the side rails.
4. Continue fitting all slats across the frame until the full sleeping surface is covered.
5. Verify that all slats sit evenly and securely in both the side rails and the centre rail.



7. Final Check



- Verify that all slats are securely fastened and evenly spaced.
- Check for any loose connections and tighten the screws if necessary



Instructions by Time4Sleep Products

Fontainebleau Oak Bed Frame