



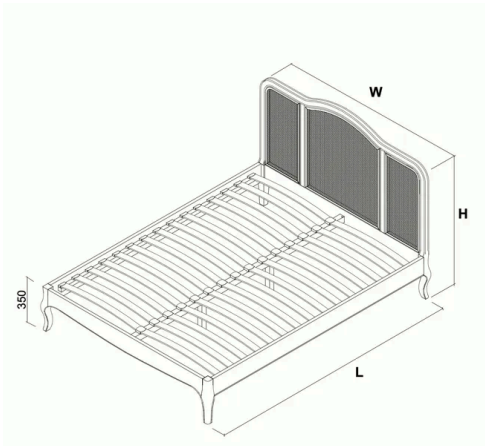
Instructions by Time4Sleep Products

### Classic French Rattan Bed Frame

Assembly instructions for the Classic French Rattan Bed Frame

## Product Information

### Classic French Rattan Bed Frame



## Description

Product description - Our Classic French inspired Rattan bed brings sophisticated European charm to your bedroom sanctuary.

Crafted with meticulous attention to detail, this stunning piece features beautiful rattan weaving that captures the essence of classical French design, while the warm dusted oak finish adds a contemporary touch that complements any décor style.

The bed's elegant curves showcases traditional craftsmanship whilst the rattan panels, creates visual texture and captivating focal point in your bedroom.

The rich dusted oak finish provides a sophisticated timeless finish. Designed with your comfort in mind, this bed comes complete with a premium sprung slatted base system that provides exceptional support and enhanced mattress ventilation. Whether your creating a traditional or more contemporary space, this rattan bed delivers exceptional quality and enduring beauty that will transform your bedroom into a luxurious retreat.

Under bed clearance approximately 20cm.

## SKU

ClaRattan46OakWD, ClaRattan50OakWD

## Best Practices



Instructions by Time4Sleep Products


Classic French Rattan Bed Frame


- Please read this sheet prior to assembly to familiarise yourself with the various stages of construction. Carefully open the pack supplied and check the contents against the parts and fittings check list.
- Do not destroy any of the packaging until you are certain that you have all the necessary parts for the assembly.
- Please ensure that the packaging is disposed of in a safe environmentally friendly way.
- **Caution:** There are small components used in the construction of this unit. These loose items should be kept away from young children during assembly, to avoid danger of choking.
- **Important:** Before starting to assemble the bed - please read these instructions carefully.

## Care & Maintenance

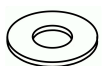
- In the unlikely event of missing or damaged parts, please contact your retailer. -
- Please have this guide at hand quoting the part code reference numbers shown when requesting spare or replacement parts.


## Tools

A - Bolts M8 x35mm for fitting centre rail support legs 2 

B - Bolts M8x80mm for fitting side rails (3&4) to headboard (1) and footboard (2) 12 

C- Nuts for M8 Bolts 12 

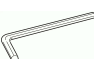
D - Flat Washers for M8 Bolts 20 

E - Spring Washers for M8 Bolts 12 

F - Bracket 12 

G - Spanner for M8 bolts 1 

H - Dowel M10x 40mm 10 

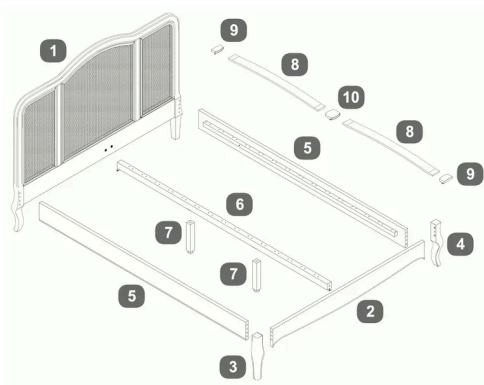
K - Allen Key for M8 Bolts 1 

L - Bolt M8x20 6 

M - "L" Shape Bracket 2 



Parts

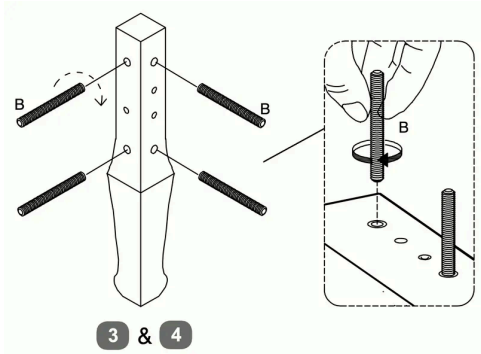


1	Headboard - Box 1	1
2	Footboard - Box 2	1
3	LH Legs for FB - Box 2	1
4	RH Legs for FB - Box 2	1
5	Side Rails - Box 2	2
6	Centre Rail - Box 2	1
7	Centre Rail Support Legs - Box 2	2
8	Bentwood Slats - Box 2 (28 Double, 30 King)	30
9	Single Plastic Caps - Box 2 (28 Double, 30 King)	30
10	Double Plastic Caps - Box 2 (14 Double, 15 King)	15



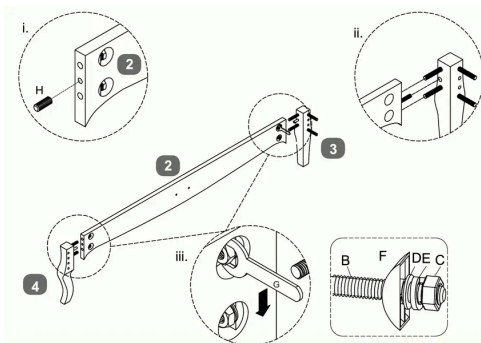
## Steps (8)

## 1. Bolt Installation and Alignment



- Insert the Bolts M8x80mm (B) into the pre-drilled holes on the **LH and RH Footboard Legs (3 & 4)**.
- Ensure the bolts are aligned correctly and tighten them securely.

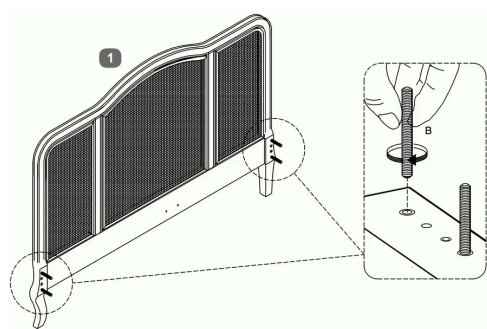
## 2. Footboard and Side Rail Assembly



- Insert the **Dowel M10x40mm (H)** into the pre-drilled holes on the footboard (2).
- Align the **footboard (2)** with the **RH and LH Footboard feet (Parts 3 & 4)** and insert **Bolts M8x80mm (B)** through the side rail into the footboard feet.
- Secure the connection using **Nuts (C), Flat Washers (D), Spring Washers (E), and Brackets (F)**.
- Tighten the assembly using the **Spanner (G)** to ensure stability.



### 3. Headboard Fastening Procedure

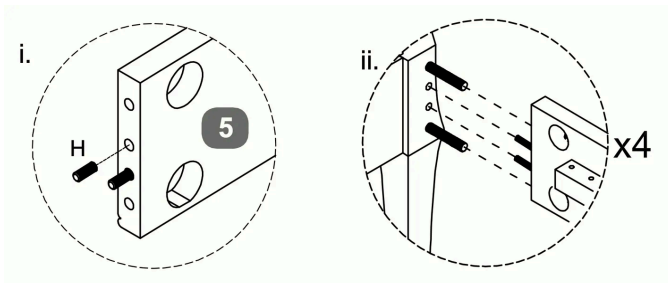
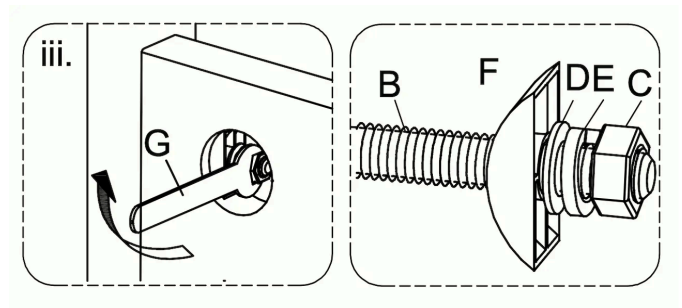
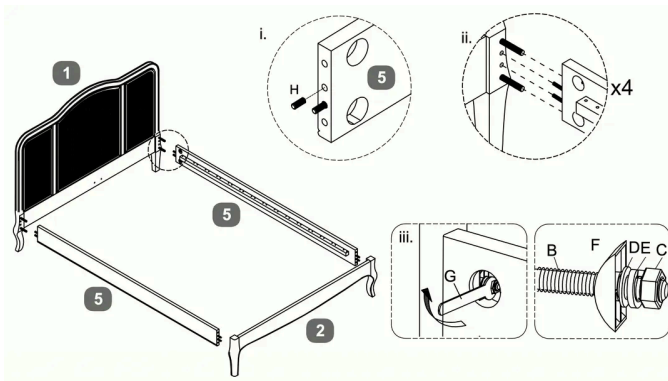


- Insert **Bolts M8x80mm (B)** into the pre-drilled holes on the headboard.
- Ensure the bolts are aligned correctly and securely tightened.

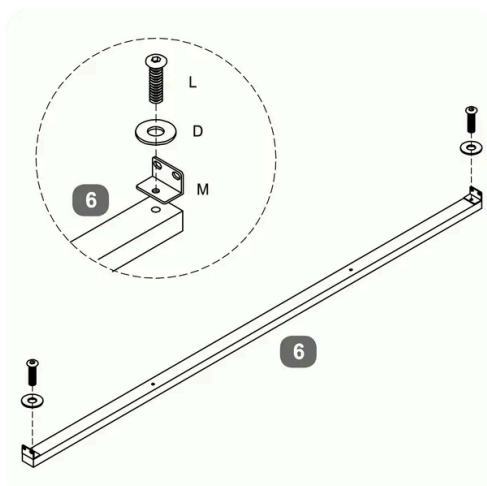


#### 4. Structural Assembly and Stabilization

- Insert **Dowel M10x40mm (H)** into the pre-drilled holes on the **side rails (5)**.
- Align the **side rails (5)** with the **headboard (1)** and **footboard (2)**.
- Secure the connection using **Bolts M8x80mm (B)**, **Nuts (C)**, **Flat Washers (D)**, **Spring Washers (E)**, and **Brackets (F)**.
- Tighten the assembly using the **Spanner (G)** to ensure stability.



## 5. Bracket Attachment and Alignment

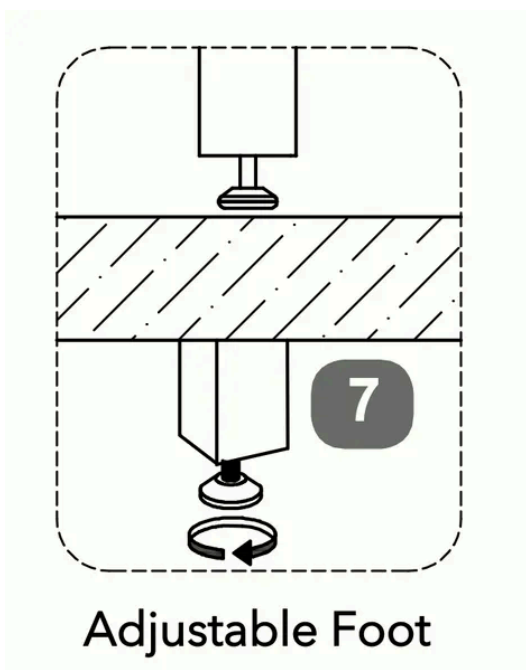
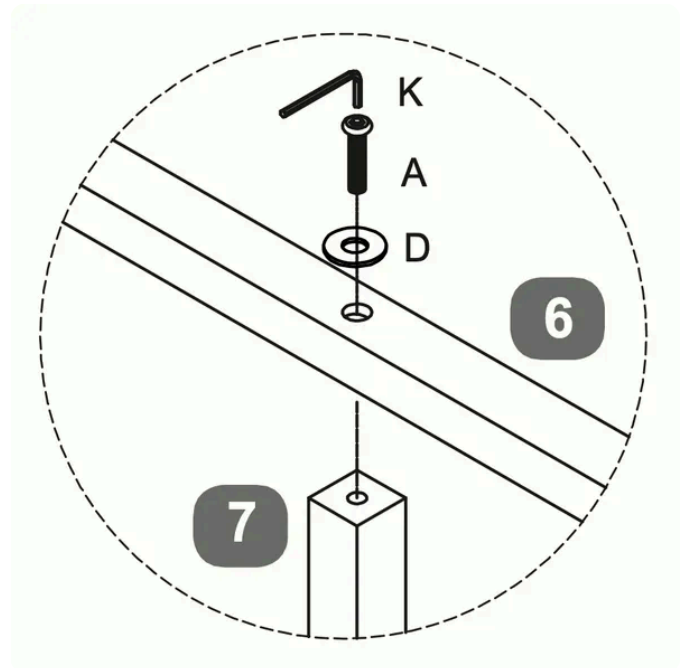
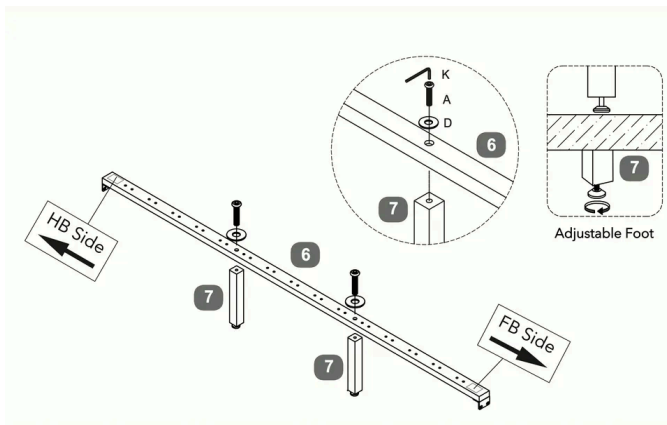


- Attach the "L" Shape Bracket (M) to the Centre Rail (6) using Bolt M8x20 (L) and Flat Washer (D).
- Ensure the bracket is aligned correctly and securely fasten the bolt.



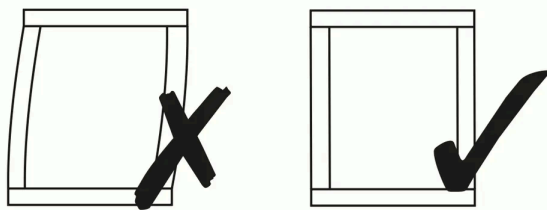
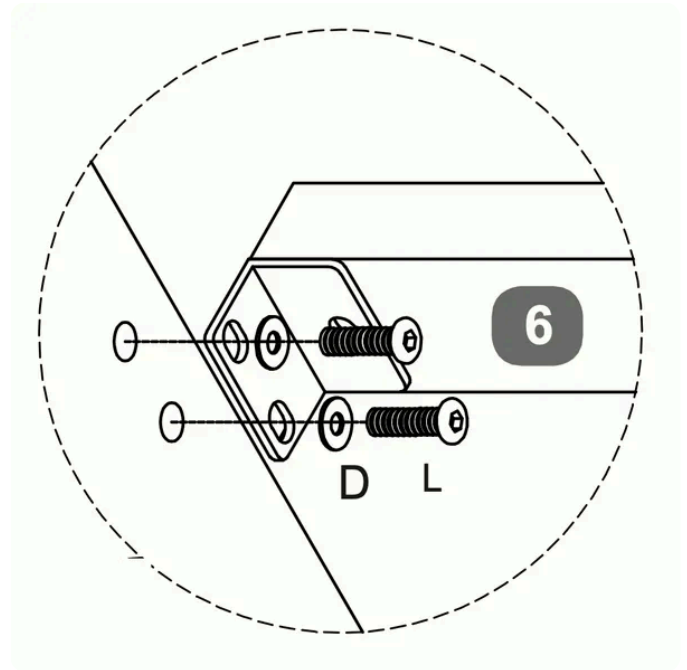
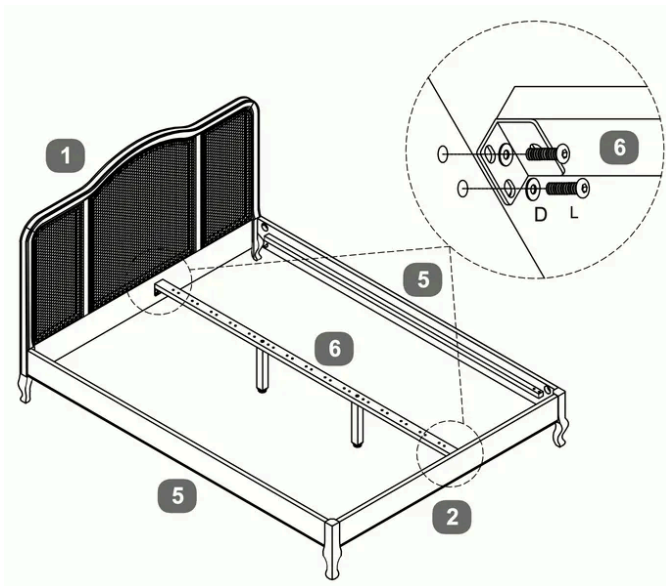
## 6. Centre Rail Positioning and Stabilization

- Position the **Centre Rail (6)** between the **headboard (1)** and **Footboard (2)**.
- Align the **Centre Rail Support Legs (7)** with the pre-drilled holes on the **Centre Rail (6)**.
- Insert **Bolts M8x35mm (A)** through **Flat Washers (D)** into the **Centre Rail Support Legs (7)**.
- Use the **Allen Key (K)** to tighten the bolts securely.
- Adjust the foot of each **Centre Rail Support Leg (7)** to ensure stability and proper alignment.



## 7. Frame Alignment and Securement

- Ensure the bed frame is squared up as shown in the diagram.
- Tighten all bed assembly bolts 100% to secure the structure.
- Use **Bolt M8x20 (L)** and **Flat Washer (D)** to attach the **Centre Rail (6)** to the **Headboard (1)** and **Footboard (2)**, ensuring proper alignment and stability.

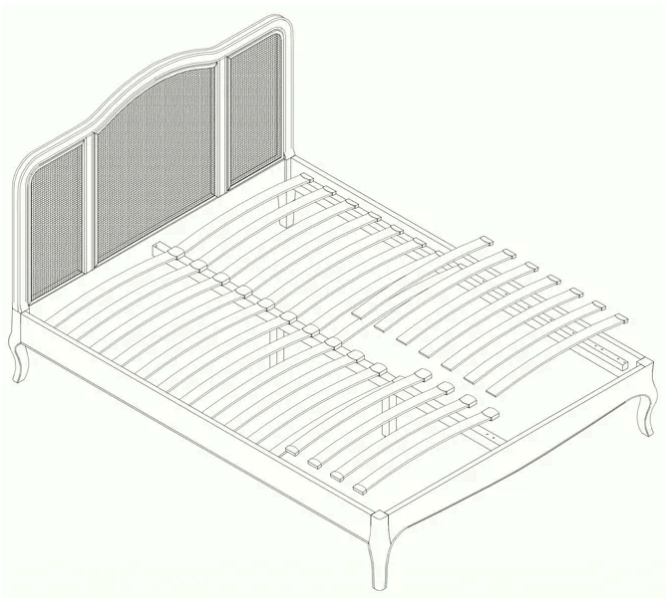
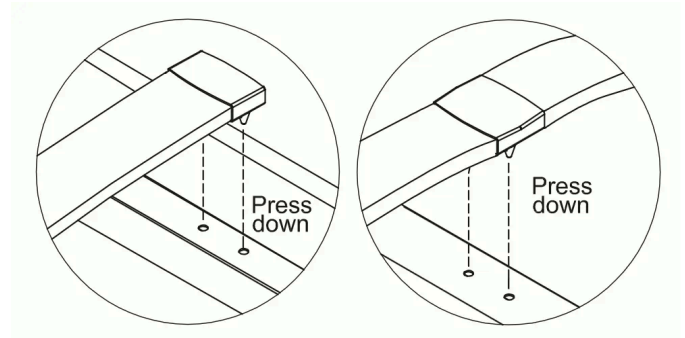
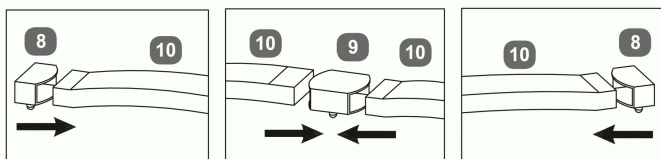


Make certain the bed is squared up as shown in the diagram then tighten all bed assembly bolts 100%.



## 8. Slat Insertion and Securement

- Insert the Bentwood Slats into the Single Plastic Caps and Double Plastic Caps as shown.
- Press down firmly to secure the slats into the pre-drilled holes on the side rails and Centre Rail.
- Ensure each slat is properly aligned and securely fastened to provide support and stability.



**Instructions by Time4Sleep Products**

Classic French Rattan Bed Frame