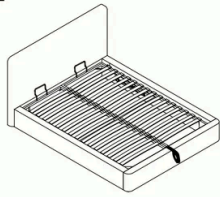
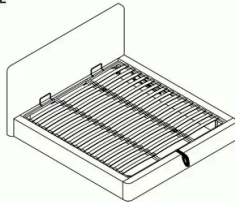


DOUBLE AND KING SIZE



SUPER KING SIZE



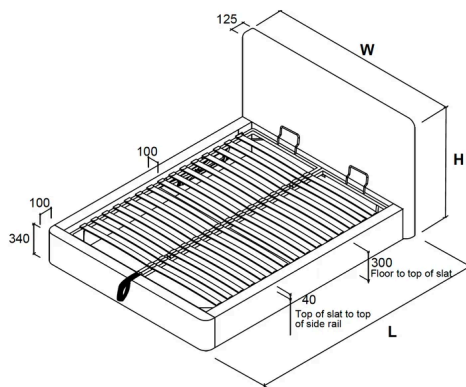
Instructions by Time4Sleep Products

Aurelle Ottoman Bed Frame

Assembly instructions for the Aurelle Ottoman Bed Frame by Time4Sleep.

Product Information

Aurella Ottoman Bed Frame



Description

Bring effortless sophistication and smart functionality to your bedroom with the Aurella Natural Ottoman Bed Frame. Beautifully upholstered in a soft, natural fabric, The Aurella blends timeless design with modern comfort, creating a calming centrepiece for any interior.

The gently curved headboard and footboard feature soft, rounded edges, offering a refined silhouette that feels both inviting and contemporary. The neutral fabric enhances its versatility, making it easy to style in any room.

Designed with practicality in mind, the ottoman lift mechanism reveals a sturdy sprung slatted base and a spacious hidden storage area beneath the mattress—perfect for keeping bedding, linens, or everyday essentials neatly tucked away. The smooth gas lift mechanism ensures easily accessible storage to maintaining a clean, clutter-free look in your space.

Whether you're refreshing your bedroom or completing a new look, the Aurella Natural Ottoman Bed Frame delivers comfort, style, and smart storage in one beautifully crafted piece.

Product specifications

	Double	King	Super King
Overall Dimensions (LWH mm)	2155 x 1690 x 1100	2255 x 1845 x 1100	2255 x 2145 x 1100



Instructions by Time4Sleep Products

Aurelle Ottoman Bed Frame

Storage Dimensions (LWH mm)	1930 x 1380 x 220	2030 x 1530 x 220	2030 x 1830 x 220
Ottoman Piston Strength	800 N	800 N	900 N
Distance between slats (mm)	70	68	68
Slat Dimension (mm)	665 x 53 x 9.5	740 x 53 x 9.5	593 x 53 x 9.5

Before You Start


- Make sure the hooks are facing upward and toward the inside of the bed frame.
- Ensure the frame is square before fully tightening in the next steps.
- Ensure all brackets are evenly positioned before tightening.
- Check that all corners are aligned before final tightening. Ensure both mechanisms are installed symmetrically before tightening.
- Ensure the cover is evenly spread with no folds or creases.
- Ensure the cross bar is centered and securely fixed.
- Ensure the slat frame is centered and properly aligned before tightening.
- Do not over-tighten the nut, as the piston must be able to move smoothly.
- Do not fully tighten the bolts until the frame is correctly aligned.
- Do not over-tighten the nut, as the piston must move smoothly during operation.

Moving and operating the bed

- Before moving the slat frame, place the mattress on the slats.
- Without a mattress in place, the speed of movement is quick and may cause injury so great care is needed.
- Carefully lower the frame with the fabric hand-strap ensuring the frame sides are aligned with the side rails; there should be an even gap on each side.
- If not aligned, check bed is still square and if it is, but gaps are still not even, re-align.
- Depending on the weight of the mattress, the rising speed will vary so be careful until you get used to the speed.
- Always use the hand-strap to lift or lower the frame - keep fingers well away from the moving parts.
- When fully assembled and the mattress in position, please raise & lower the ottoman 4/5 times to ensure the gas pistons are fully lubricated




Tools

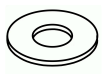
A - Bolt M8x25mm (44 Double / King, 48 Super King) 44 


B - Bolt M8x35mm 8 


C - Bolt M8x50mm 6 

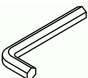
D - Nut for M8 Bolts 6 


E - Spring Washer for M8 Bolts 6 


F - Flat Washer for M8 Bolts 6 


G - Hooked Corner Bracket - Left 2 

H - Hooked Corner Bracket - Right 2 

I - Allen Key for M8 Bolts 1 

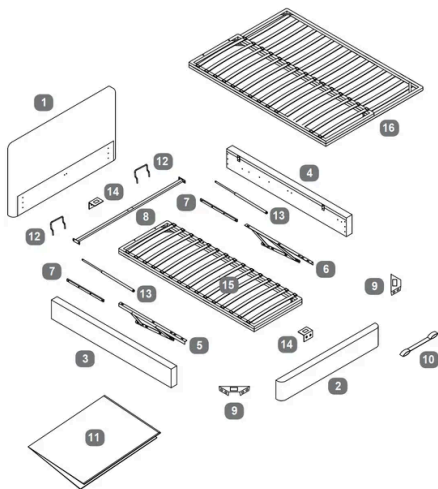
J - Spanner for M8 Nuts 1 

K - Flanged Lock-Nut M8 4 

L - Metal Connection Plates for Slat Frame 2 



Parts



1	Headboard - Box 1	1 piece(s)
2	Footboard - Box 2	1 piece(s)
3	Side Rail - Left - Box 2	1 piece(s)
4	Side Rail - Right - Box 2	1 piece(s)
5	Gas-lift Mechanism - Left - Box 3	1 piece(s)
6	Gas-lift Mechanism - Right - Box 3	1 piece(s)
7	Spacer Rail for Gas Lift Mechanism - Box 3	2 piece(s)
8	Side Rail Cross Bar - Box 3	1 piece(s)
9	Angled Corner Bracket - Box 3	2 piece(s)
10	Fabric Lifting Handle - Box 2	1 piece(s)
11	Fabric Base Cover - Box 3	1 piece(s)
12	Mattress Stopper - Box 3	2 piece(s)
13	Gas-lift Piston - Box 3	2 piece(s)



14 'L' Shape Bracket. (2 for Double/King, 4 for Super King) - Box 3 2 piece(s)

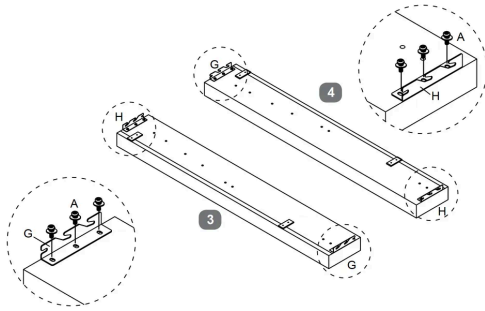
15 Metal Slat Frame (Double/King) - Box 3 1 piece(s)

16 Metal Slat Frame (Super King) - Box 3 1 piece(s)



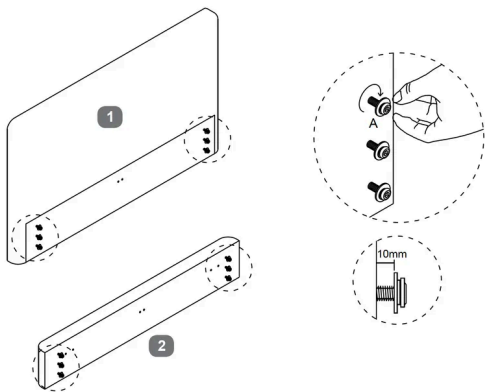
Aurette: Frame

1. Secure Corner Brackets to Rails



1. Position the Side Rails with the ends facing upward.
2. Attach the Hooked Corner Bracket - Left (G) to one end of the first Side Rail using three Bolt M8x25mm (A).
3. Secure the Hooked Corner Bracket - Right (H) to the opposite end of the same Side Rail using three Bolt M8x25mm (A).
4. Repeat the process for the second Side Rail, ensuring the brackets are attached to the correct ends.
5. Tighten all bolts securely using the Allen Key (I), ensuring the brackets are firmly in place.

2. Attach Headboard and Footboard

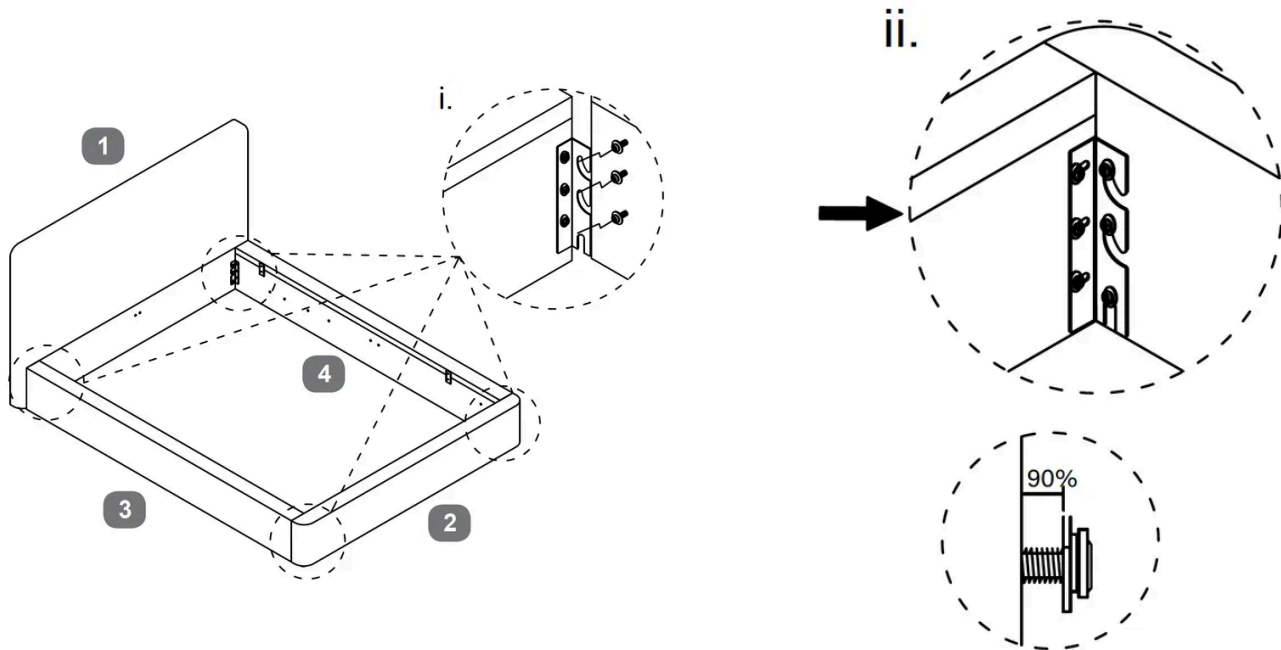


- Insert three Bolt M8x25mm (A) into each set of holes, ensuring they pass through the Headboard or Footboard.
- Hand-tighten the bolts initially, leaving a 10mm gap to allow for adjustments.

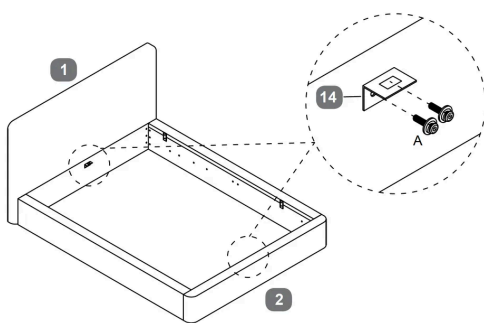


3. Attach Side Rails to Headboard and Footboard

- Align the Side Rails (2, 3) with the Headboard (1) and Footboard (4).
- Hook the Side Rails onto the Headboard and Footboard using the Hooked Corner Brackets (G, H).
- Secure each connection with three Bolt M8x25mm (A) as shown in detail (i).
- Ensure the bolts are tightened to 90% as indicated in detail (ii), allowing for final adjustments.



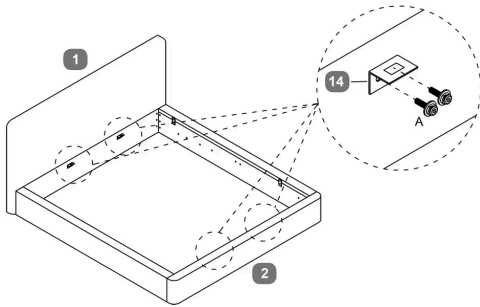
4. Bracket Installation and Alignment for ****Double or King****



- Attach the 'L' Shape Bracket (14) to the inner side of the Headboard and Footboard using two Bolt M8x25mm (A) for each bracket.
- Ensure the brackets are aligned with the pre-drilled holes on the Headboard and Footboard
- Securely tighten the bolts using the Allen Key (I) to ensure the brackets are firmly in place.



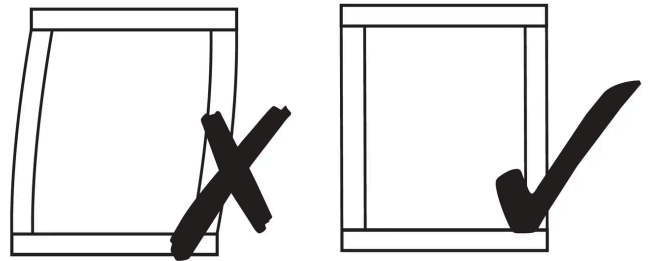
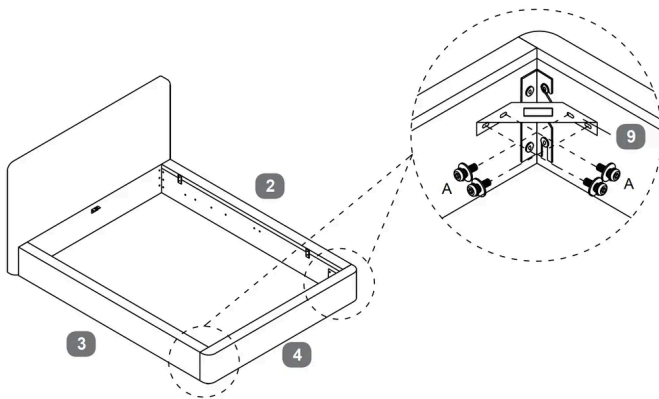
5. Bracket Attachment and Alignment for ****Super King****



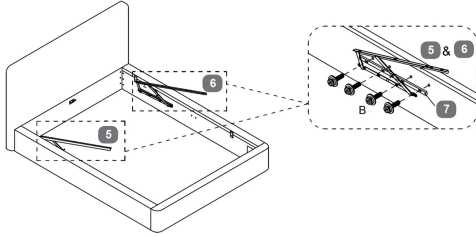
- Attach the 'L' Shape Bracket (14) to the inner side of each Headboard and Footboard using two Bolt M8x25mm (A) per bracket.
- Align the brackets with the pre-drilled holes on the Headboard and Footboard.
- Securely tighten the bolts using the Allen Key (I) to ensure the brackets are firmly in place.

6. Bracket Installation at Corners

- Attach the Angled Corner Bracket (9) to the inner corners where the Side Rails (3, 4) meet the Footboard (2).
- Use four Bolt M8x25mm (A) for each bracket, ensuring they pass through the bracket and into the pre-drilled holes on the Side Rails and Footboard.
- Securely tighten the bolts using the Allen Key (I) to ensure the brackets are firmly in place.

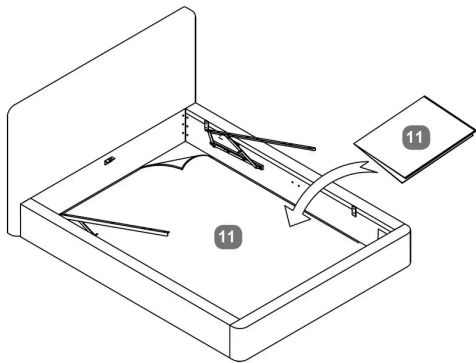


7. Gas-lift Mechanism Attachment and Securing



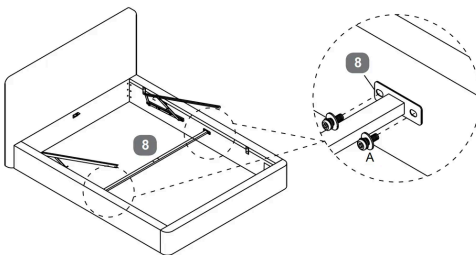
- Attach the Gas-lift Mechanism - Left (5) and Gas-lift Mechanism - Right (6) to the inner sides of the Side Rails, **making sure that the Spacer rail (7) is placed in between the Siderail and Gas lift mechanism.**
- Use Bolt M8x35mm (B) to secure each mechanism, ensuring alignment with the pre-drilled holes.
- Insert the bolts through the mechanisms and into the Side Rails, then tighten securely using the appropriate tool.

8. Base Cover Placement and Alignment



- Place the Fabric Base Cover (11) inside the bed frame.
- Ensure it is spread evenly across the bottom, with no folds or creases.
- Align the cover with the edges of the frame for a neat fit.

9. Cross Bar Installation and Alignment

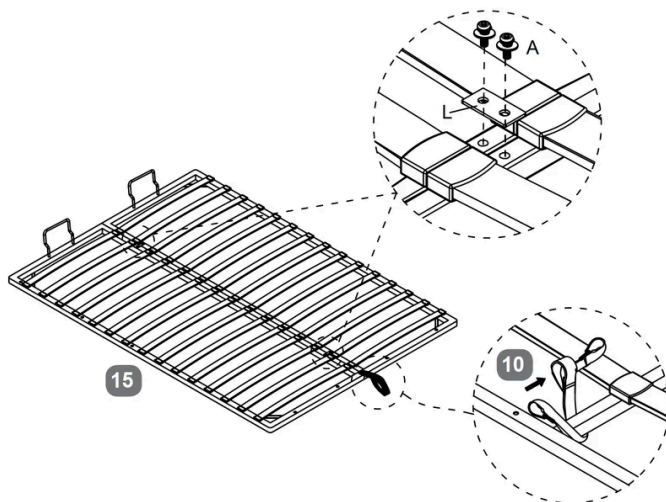
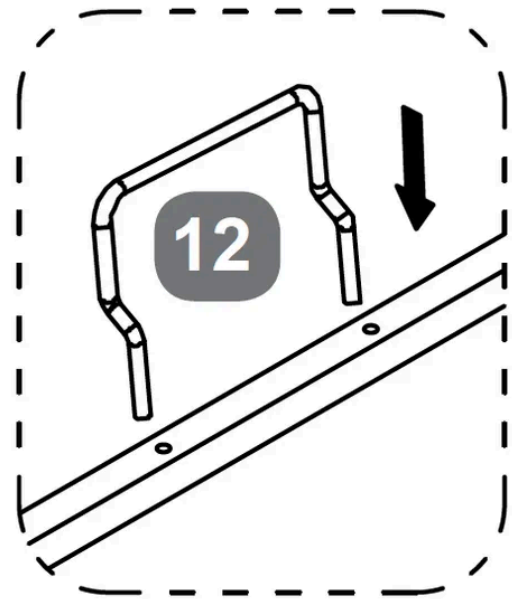
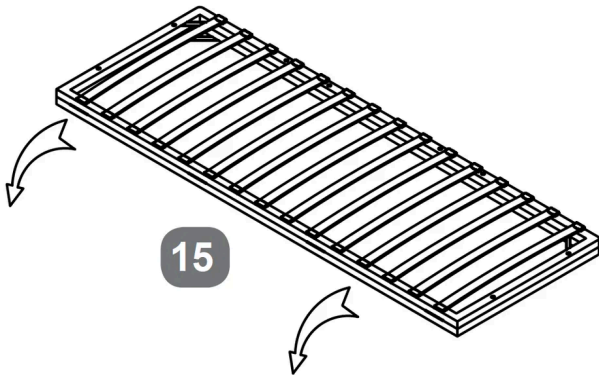


- Attach the Side Rail Cross Bar (8) to the inner sides of the Side Rails using two Bolt M8x25mm (A) for each end.
- Ensure the cross bar is aligned with the pre-drilled holes on the Side Rails.
- Securely tighten the bolts using the Allen Key (I) to ensure the cross bar is firmly in place.



10. Frame Assembly and Component Attachment For ****Double or King****

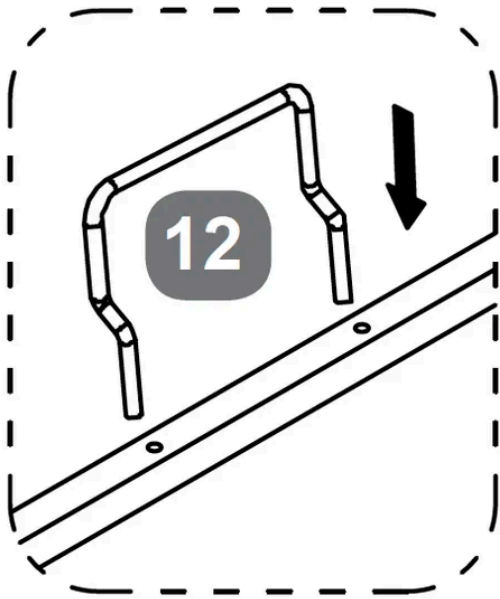
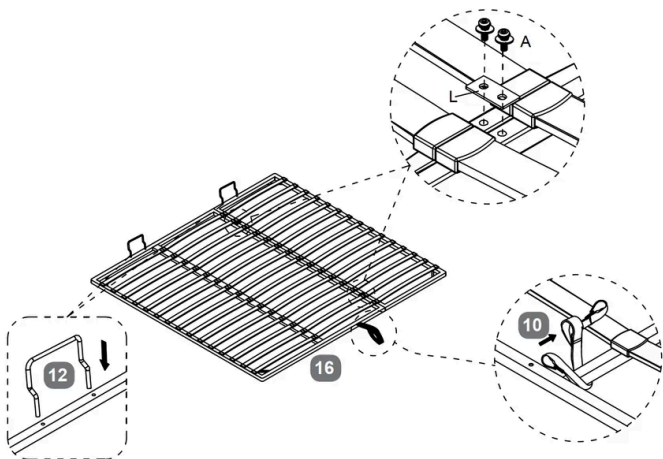
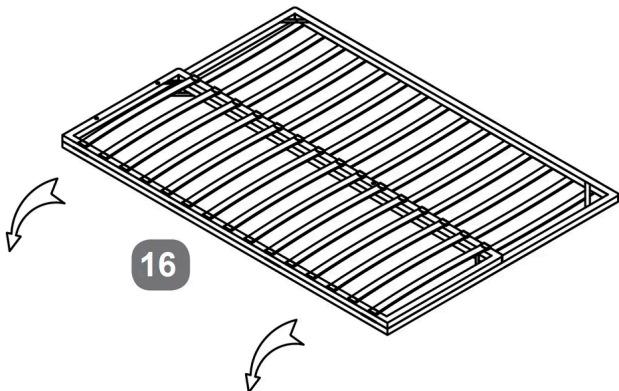
- **Metal Slat Frame Installation:** Place the Metal Slat Frame (15) onto the bed frame, ensuring it is centered and aligned with the edges.
- **Connection Plate Attachment:** Use the Metal Connection Plates (L) to join sections of the slat frame. Secure each plate with Bolt M8x25mm (A) and tighten using the Allen Key (I).
- **Fabric Lifting Handle Installation:** Attach the Fabric Lifting Handle (10) to the designated area on the slat frame, ensuring it is securely fastened.
- **Mattress Stopper Installation:** Insert the Mattress Stopper (12) into the pre-drilled holes at the foot of the slat frame to prevent mattress movement.



11. Frame Assembly and Component Setup for ****Super King****

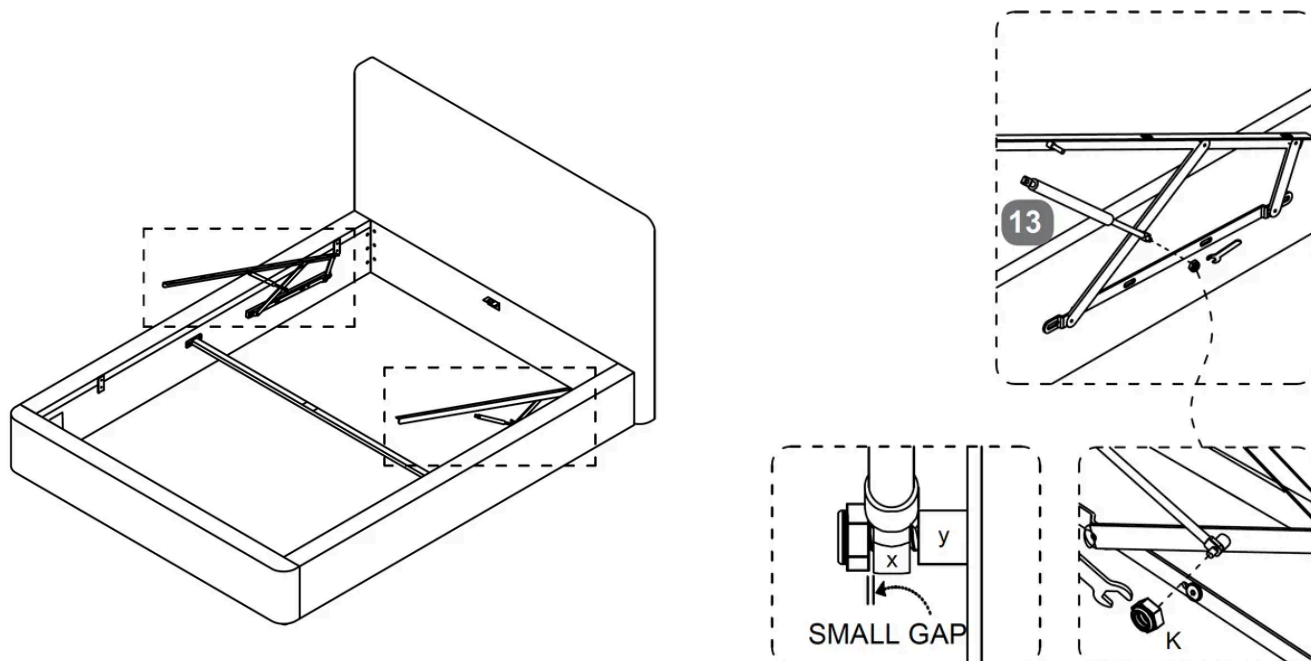
- **Metal Slat Frame Installation:** Place the Metal Slat Frame (16) onto the bed frame, ensuring it is centered and aligned with the edges.
- **Connection Plate Attachment:** Use the Metal Connection Plates (L) to join sections of the slat frame. Secure each plate with Bolt M8x25mm (A) and tighten using the Allen Key (I).
- **Fabric Lifting Handle Installation:** Attach the Fabric Lifting Handle (10) to the designated area on the slat frame, ensuring it is securely fastened.
- **Mattress Stopper Installation:** Insert the Mattress Stopper (12) into the pre-drilled holes at the foot of the slat frame to prevent mattress movement.





12. Gas-Lift Mechanism Installation

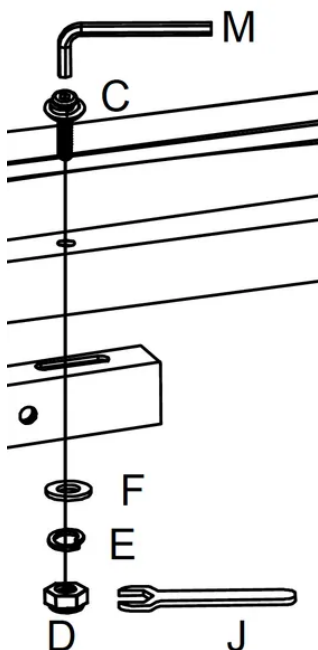
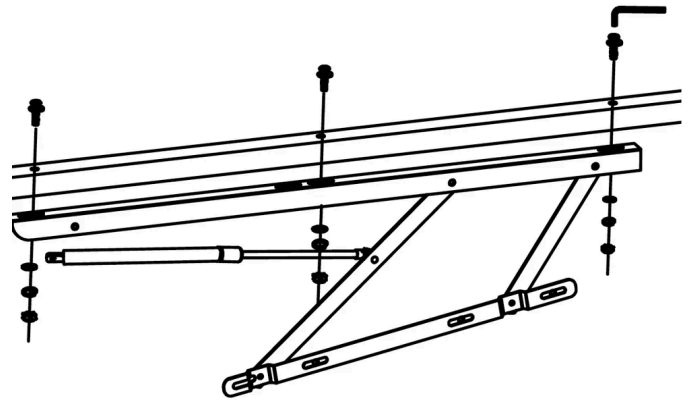
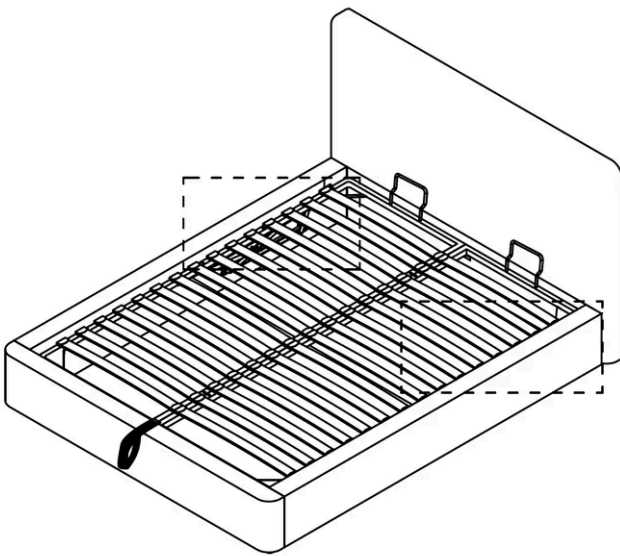
- Attach the Gas-Lift Piston that is on the Gas lift mechanism (13) onto the axle (Y).
- Secure it using the Flanged Lock-Nut M8 (K), leaving a **small gap** between components x and y to allow smooth movement.
- Use the appropriate tools to tighten the nuts, ensuring the mechanism is firmly in place but not over-tightened to maintain smooth piston operation.



13. Gas-Lift Mechanism Final Assembly

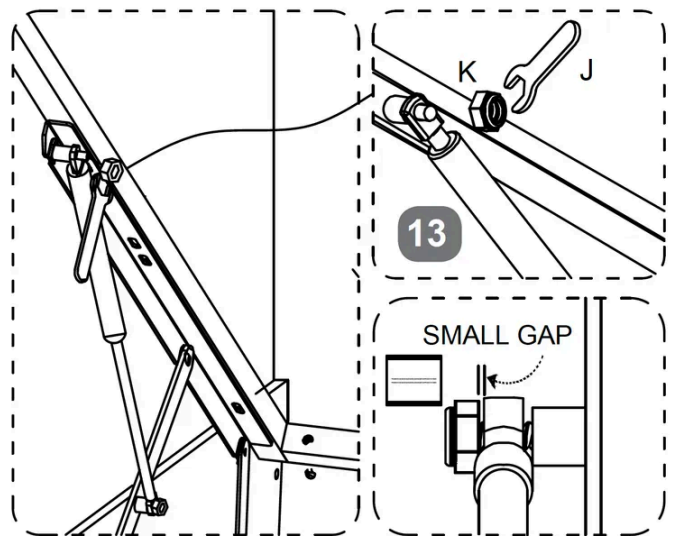
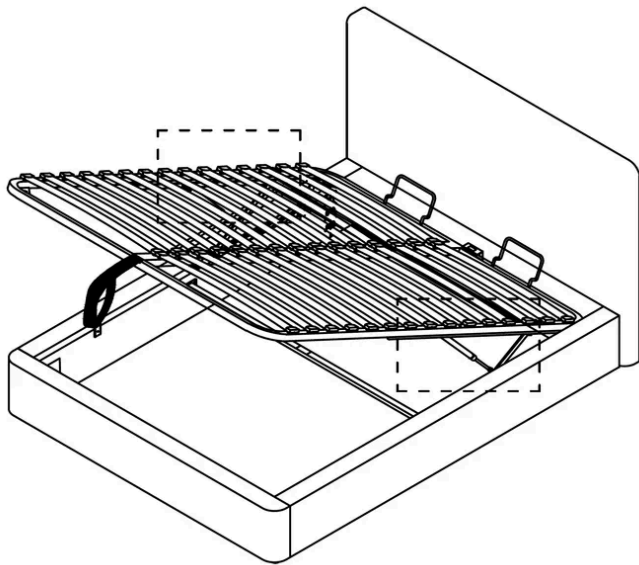
-Align the Gas-Lift Mechanism with the pre-drilled holes on the Metal Slat Frame (15 or 16)

- Secure the mechanism loosely using Bolt M8x50mm (C), Spring Washer (E), Flat Washer (F), and Nut for M8 Bolts (D).
- When you are sure there are even gaps at each side, use the Allen Key (M) and Spanner (J) to tighten the bolts and nuts, ensuring a small gap is left for smooth piston movement.
- Confirm that the mechanism is firmly attached but not over-tightened to maintain smooth operation.



14. Gas-Lift Mechanism Alignment and Adjustment

- Slide gas-lift piston stem (X) onto the axle (Y) then fit the flanged lock-nut M8(K). Tighten nut with spanner, **leave a small gap for smooth operation**, confirm the mechanism is securely attached but do not over tighten.
- Use the Fabric Lifting Handle to test the lifting and lowering of the slat frame, ensuring smooth movement and proper alignment with the bed frame.



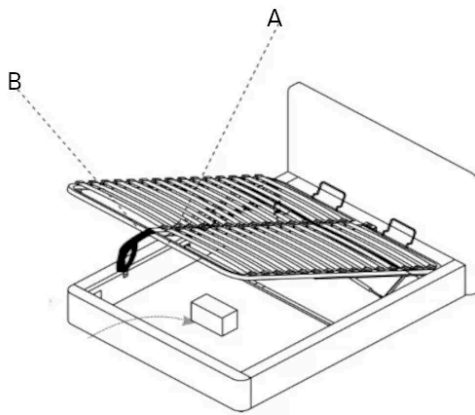
15. Safety and usage guidelines

A: Operating Instructions

- Ensure the bed is operated by adults only and not used by children under 12 years old.
- Always lift and lower the bed with the mattress in place, using the handle and keeping clear of the mechanism to avoid entrapment.

B: Storage Area Safety

- Make sure the ottoman is fully open before accessing the storage area.
- Do not reach into the storage area through the hinge mechanism.
- Keep children and pets away from the storage area and do not stand inside it.
- Regularly inspect the bed to ensure it is functioning correctly.



Note: Be careful what you store under the bed. Items such as suitcases or boxes must not touch the slats, as this may cause damage.

Maximum storage height is 220 mm.

Safety When Accessing the Storage Area

- This bed uses a pressurised mechanism.
- Ensure the bed is operated by adults only and not used by children under 12 years old.
- Please ensure that children and pets are kept away from the bed when operating the lift mechanism.
- Always lift and lower the bed with the mattress in place, using the handle and keeping clear of the mechanism to avoid entrapment.
- Make sure the ottoman is fully open before accessing the storage area.
- Do not reach into the storage area through the hinge mechanism.
- Regularly inspect the bed to ensure it is functioning correctly.



- Be careful what you store under the bed. Items such as suitcases or boxes must not touch the slats, as this may cause damage.

Maximum storage height Maximum storage weigh

260 mm

50 KG



Instructions by Time4Sleep Products

Aurelle Ottoman Bed Frame