



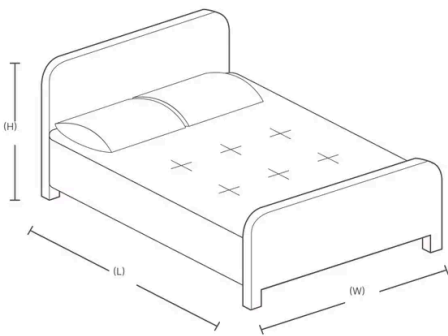
Instructions by Time4Sleep Products

Amelia Oak Bed Frame - HFE

Assembly instructions for Amelia Oak Bed Frame - HFE by Time4Sleep

Product Information

Amelia Oak Bed Frame - HFE



Description

The Amelia High foot end bed combines all the beauty and elegance of it's lower foot ended sister. Perfectly formed and carefully crafted, the natural beauty of this oak frame is combined with a stylish linen look fabric to create a bed that is sure to be a spectacular centre piece in any bedroom.

The bed comes complete with a traditional wooden slatted base. Create a warm and opulent look in your bedroom with this classic sleigh design which will work well in either a period house or city centre apartment.

The underbed clearance on this bed frame is 26cm approx.

Product specifications

	King Size
Width	161 cm
Length	228 cm
Head End Height	120 cm
Foot End Height	76 cm

SKU

ameliahfe-2



Tools

H1 Screws

8



H2 Screw

1



H3 Screws

6

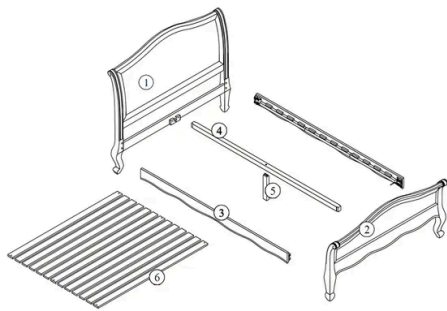


H4 Allen Key

1



Parts



Headboard

1

Footboard

2

Side Rails

3

Center Support Beam

4

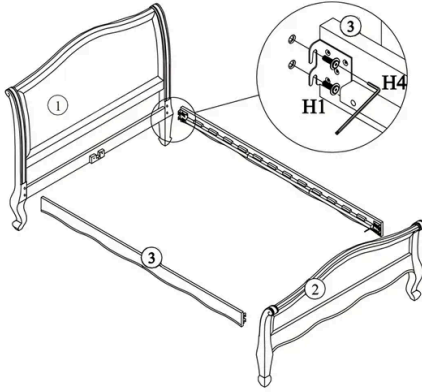
Center Support Leg

5

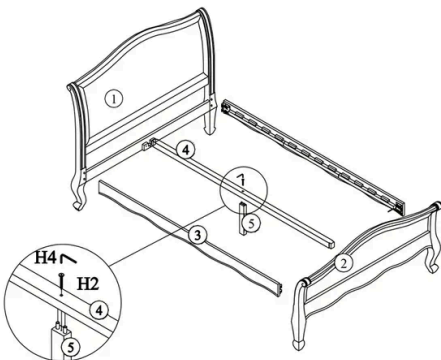
Slats

6

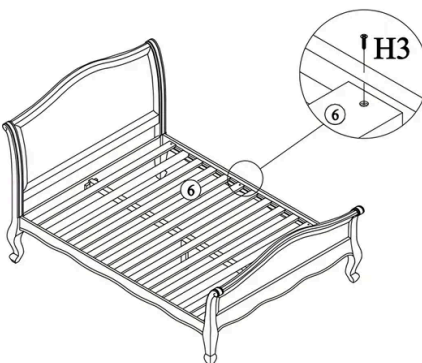


Steps (4)**1. Side Rails****Attach the Side Rails to the Headboard and Footboard**

1. Position the side rails (3) between the headboard (1) and footboard (2).
2. Align the brackets on the side rails with the mounting points on the headboard and footboard.
3. Secure the side rails using screws (H1) and tighten them with the Allen key (H4), as shown in the close-up detail.

2. Center Support Beam**Install the Center Support Beam**

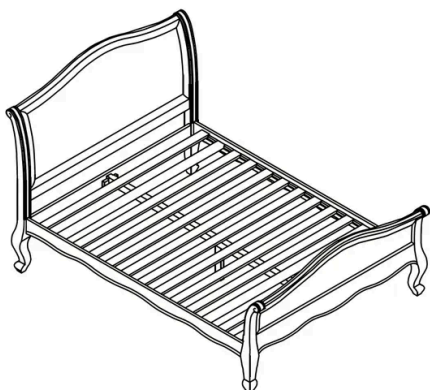
1. Place the center support beam (4) across the middle section of the bed frame.
2. Attach the center leg (5) to the bottom of the support beam.
3. Secure the center leg (5) using screw (H2) and tighten it with the Allen key (H4) as shown in the close-up detail.

3. Slats**Install the Slats**

1. Lay out all the slats (6) evenly across the bed frame, ensuring they are aligned properly with the side rails and center support.
2. Using the H3 screws, fasten the six slats with pre-drilled holes to the side rails.
3. Check that the attached slats provide adequate support and stability for the mattress.



4. Final Check



- Verify that all slats are securely fastened and evenly spaced.
- Check for any loose connections and tighten the screws if necessary.



Instructions by Time4Sleep Products

Amelia Oak Bed Frame - HFE